

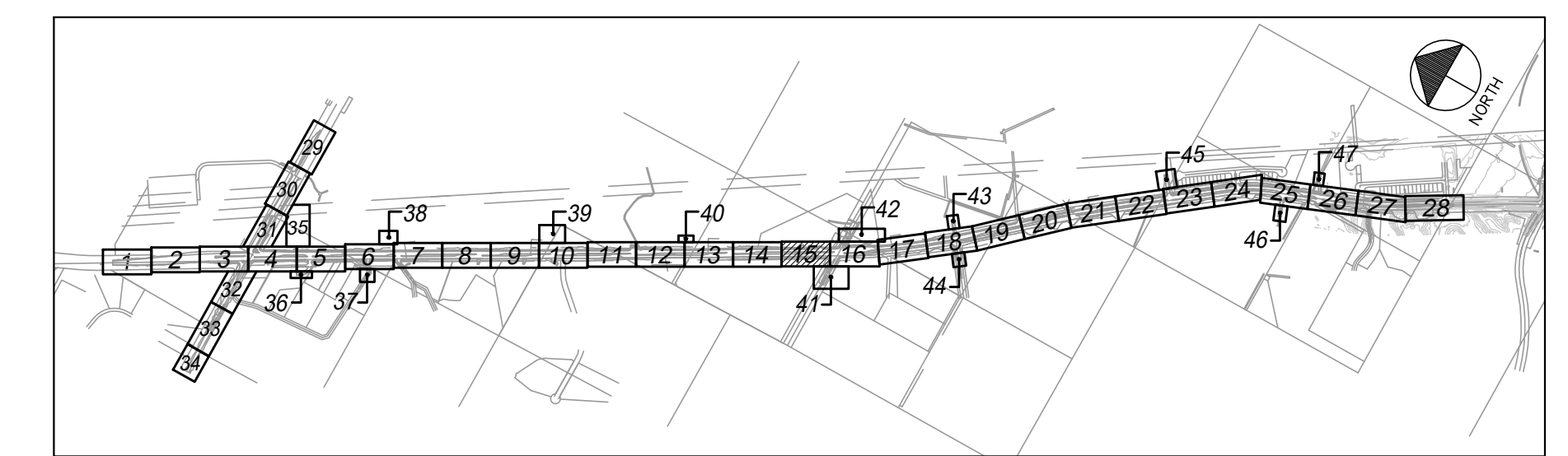
LANDSCAPE LEGEND	
	SIGHT VISIBILITY TRIANGLE
INORGANIC SURFACING	
	DECOMPOSED GRANITE SURFACING
	CONCRETE MEDIAN PAVING
	ROCK MULCH TYPE A
	SLOPE TREATMENT ROCK MULCH TYPE B
	FLEXIMAT SURFACING TO BE HYDROSEEDED WITH LOW-GROW SEED MIX
HYDROSEED MIX	
	AREA TO BE HYDROSEEDED
	AREA TO BE HYDROSEEDED WITH APPROVED LOW-GROW MIX
PROTECTION OF NATIVE VEGETATION - PRESERVATION FENCING TO BE INSTALLED DURING DEMOLITION PHASE AND IS SHOWN ON DEMOLITION PLANS FOR BIDDING AND CONSTRUCTION. PRESERVATION OF NATIVE VEGETATION IS SHOWN ON LANDSCAPE PLANS FOR REFERENCE ONLY.	

SEE SHEET LS40 TO LS43 FOR LANDSCAPE SCHEDULE AND DETAILS

LANDSCAPE PLAN - AREA 15 - STA: 355+00 TO STA: 360+00
SCALE: 1" = 20'-0"

PLANT LEGEND	
	ACACIA CONSTRICTA WHITETHORN ACACIA
	ACACIA GREGGII CATCLAW ACACIA
	CHILOPSIS LINEARIS DESERT WILLOW
	PARKINSONIA MICROPHYLLA FOOTHILLS PALO VERDE
	PROSOPIS VELUTINA VELVET MESQUITE
LARGE SHRUBS	
	LARREA TRIDENTATA CREOSOTE BUSH
	CELTIS PALLIDA DESERT HACKBERRY
	CONDALIA WARNOCKII CONDALIA
	SIMMONDSIA CHINENSIS JOJOBA
	ZIZIPHUS OBTUSIFOLIA GRAYTHORN
SMALL SHRUBS	
	AMBROSIA DELTOIDEA TRIANGLE-LEAF BURSAGE
	ANISACANTHUS THURBERI DESERT HONESUCKLE
	ASCLEPIAS SUBULATA DESERT MILKWEED
	CALLIANDRA ERIOPHYLLA FAIRY DUSTER
	DALEA PULCHRA BUSH DALEA
	ISOCOMA TENUISECTA BURROWEED
	JUSTITIA CALIFORNICA CHUPAROSA
	CASSIA (SENNA) WISLIZENII SHRUBBY SENNA
	PENSTEMON PARRYI PARRY PENSTEMON
CACTI AND AGAVES	
	AGAVE CHRYSANTHA GOLDEN-FLOWERED AGAVE
	AGAVE PARRYI PARRY'S AGAVE
	CARNEGIEA GIGANTEA SAGUARO
	ECHINOCEREUS ENGELMANNII HEDGEHOG CACTUS
	FEROCACTUS WISLIZENI FISHHOOK BARREL
	FOUQUIERIA SPLENDENS OCOTILLO
	HESPERALOE PARVIFLORA RED YUCCA
	OPUNTIA BASILARIS BEAVERTAIL PRICKLY PEAR
	OPUNTIA SANTA-RITA PURPLE PRICKLY PEAR
	PENIOCIEREUS GREGGII NIGHT-BLOOMING CEREUS
	YUCCA BACCATA BANANA YUCCA
	YUCCA ELATA SOAPTREE YUCCA
PRESERVED IN PLACE	
	TREE TO BE PRESERVED IN PLACE
	SHRUB TO BE PRESERVED IN PLACE
	CACTUS TO BE PRESERVED IN PLACE

NOTE: DASHED LINE AROUND PLANT SYMBOL INDICATES SALVAGED PLANT



AREA KEY MAP
SCALE: N.T.S.

L15 OF L43

McGann & Associates
Landscape Architects and Planners
6814 North Clavin Road, Suite 210, Tucson, AZ 85704



DEPARTMENT OF TRANSPORTATION/ENGINEERING DIVISION

SILVERBELL ROAD
EL CAMINO DEL CERRO TO GORET ROAD
L15 LANDSCAPE PLAN - AREA 15

NO.	DATE	REVISION	BY	CHKD.	APPR.

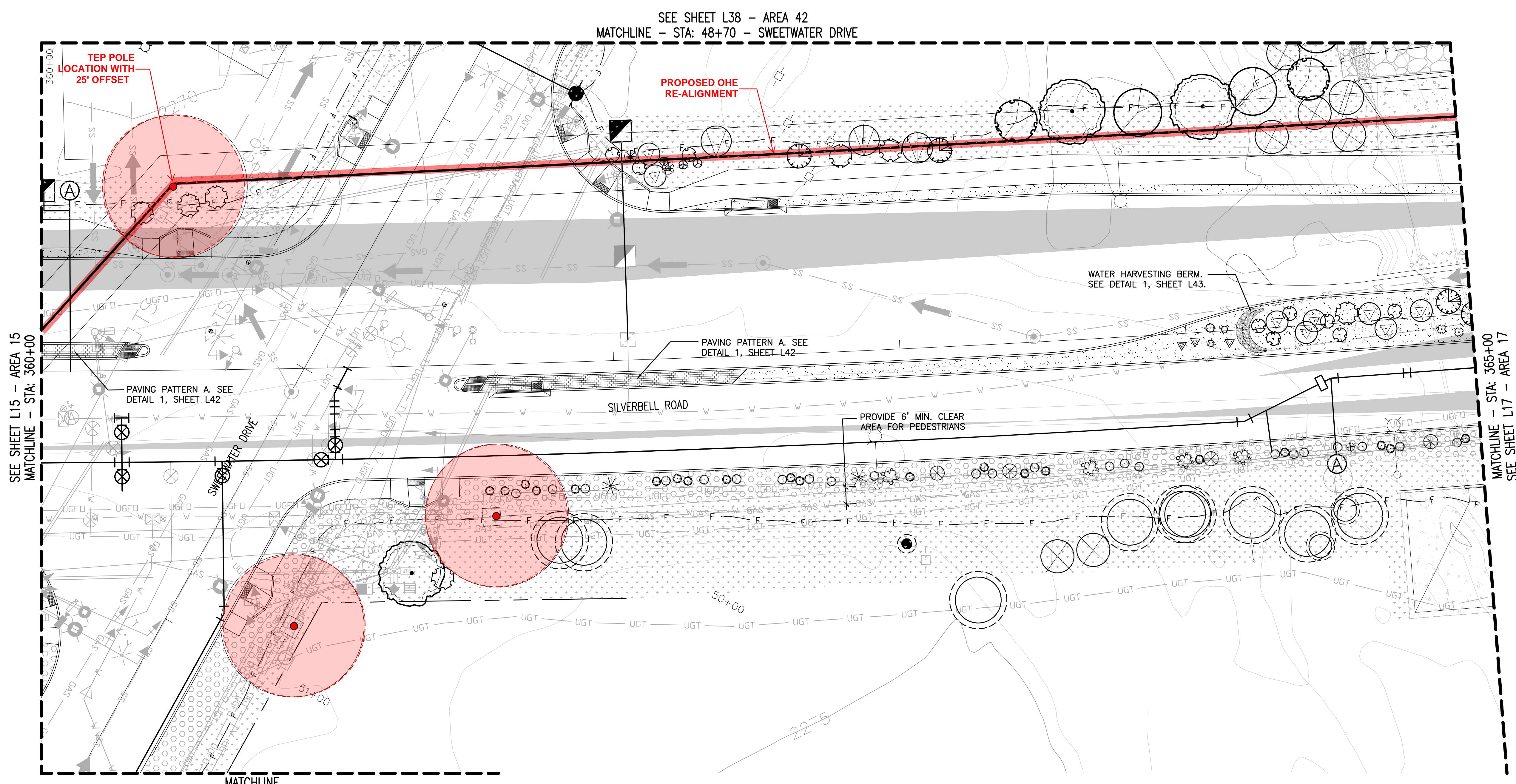
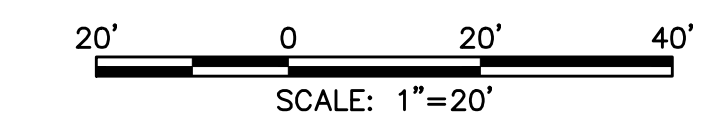
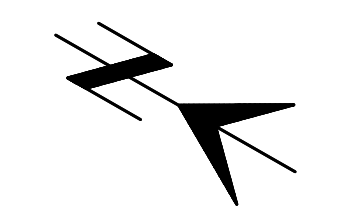
PRELIMINARY
100%
REVIEW
NOT FOR
CONSTRUCTION
OR RECORDING

Approvals	Signatory	Date

Approved _____ 20__ 215
OF
446
TRANSPORTATION DIRECTOR
REF. _____ SCALE: 1" = 20'
PLAN NO. _____

Two working days before you dig,
CALL FOR THE BLUE STAKES
1-800-782-5348

DATE \$
FILE \$



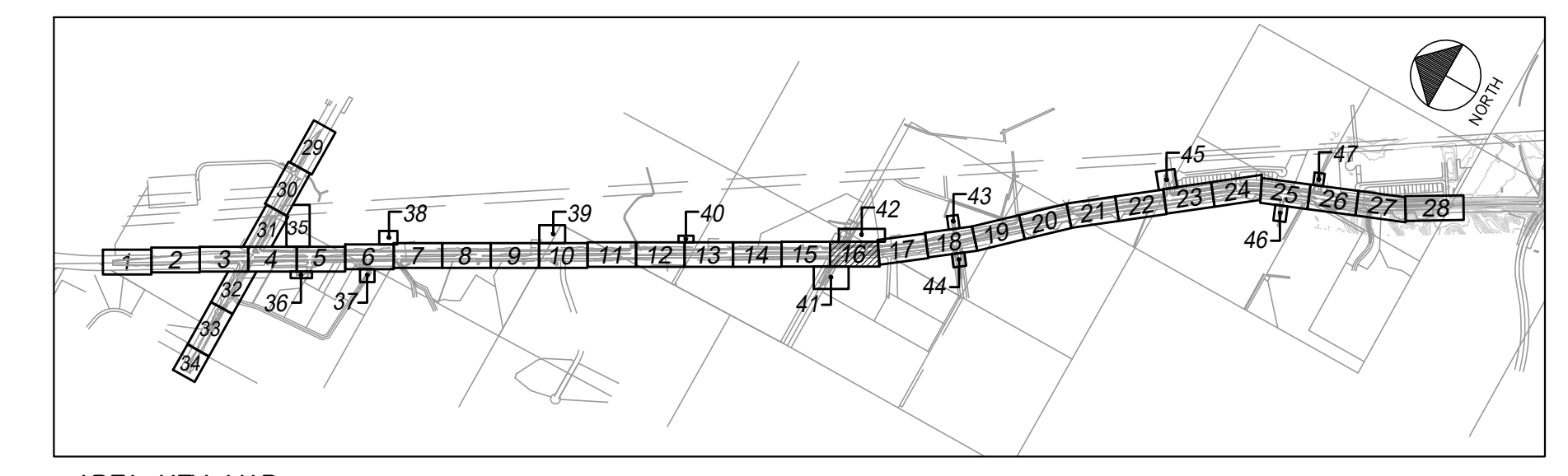
LANDSCAPE LEGEND	
	SIGHT VISIBILITY TRIANGLE
INORGANIC SURFACING	
	DECOMPOSED GRANITE SURFACING
	CONCRETE MEDIAN PAVING
	ROCK MULCH TYPE A
	SLOPE TREATMENT ROCK MULCH TYPE B
	FLEXIMAT SURFACING TO BE HYDROSEEDED WITH LOW-GROW SEED MIX
HYDROSEED MIX	
	AREA TO BE HYDROSEEDED
	AREA TO BE HYDROSEEDED WITH APPROVED LOW-GROW MIX
PROTECTION OF NATIVE VEGETATION - PRESERVATION FENCING TO BE INSTALLED DURING DEMOLITION PHASE AND IS SHOWN ON DEMOLITION PLANS FOR BIDDING AND CONSTRUCTION. PRESERVATION OF NATIVE VEGETATION IS SHOWN ON LANDSCAPE PLANS FOR REFERENCE ONLY.	

SEE SHEET LS40 TO LS43 FOR LANDSCAPE SCHEDULE AND DETAILS

LANDSCAPE PLAN - AREA 16 - STA: 360+00 TO STA: 365+00
SCALE: 1" = 20'-0"

PLANT LEGEND (TREES)		LARGE SHRUBS		SMALL SHRUBS		CACTI AND ACCENTS		PRESERVED IN PLACE	
	ACACIA CONSTRICTA WHITETHORN ACACIA		LARREA TRIDENTATA CREOSOTE BUSH		AMBROSIA DELTOIDEA TRIANGLE-LEAF BURSAE		AGAVE CHRYSANTHA GOLDEN-FLOWERED AGAVE		HESPERALOE PARVIFLORA RED YUCCA
	PARKINSONIA MICROPHYLLA FOOTHILLS PALO VERDE		CELTIS PALLIDA DESERT HACKBERRY		ANISACANTHUS THURBERI DESERT HONESUCKLE		AGAVE PARRYI PARRY'S AGAVE		OPUNTIA BASILARIS BEAVERTAIL PRICKLY PEAR
	ACACIA GREGGII CATCLAW ACACIA		CONDALIA WARNOCKII CONDALIA		ASCLEPIAS SUBULATA DESERT MILKWEED		CARNEGIEA GIGANTEA SAGUARO		OPUNTIA SANTA-RITA PURPLE PRICKLY PEAR
	CHILOPSIS LINEARIS DESERT WILLOW		SIMMONDSIA CHINENSIS JOJOBA		DALEA PULCHRA BUSH DALEA		ECHINOCEREUS ENGELMANNII HEDGEHOG CACTUS		PENIOCEREUS GREGGII NIGHT BLOOMING CEREUS
			PROSOPIS VELUTINA VELVET MESQUITE		ISOCOMA TENUISECTA BURROWEED		FOUQUIERIA SPLENDENS OCOTILLO		YUCCA BACCATA BANANA YUCCA
			ZIZIPHUS OBTUSIFOLIA GRAYTHORN		JUSTITIA CALIFORNICA CHUPAROSA		YUCCA ELATA SOAPTREE YUCCA		TREE TO BE PRESERVED IN PLACE
					CASSIA (SENNA) WISLIZENII SHRUBBY SENNA				SHRUB TO BE PRESERVED IN PLACE
					PENSTEMON PARRYI PARRY PENSTEMON				CACTUS TO BE PRESERVED IN PLACE

NOTE: DASHED LINE AROUND PLANT SYMBOL INDICATES SALVAGED PLANT



AREA KEY MAP
SCALE: N.T.S.

L16 OF L43



DEPARTMENT OF TRANSPORTATION/ENGINEERING DIVISION

SILVERBELL ROAD
EL CAMINO DEL CERRO TO GORET ROAD
L16 LANDSCAPE PLAN - AREA 16

NO.	DATE	REVISION	BY	CHKD.	APPR.

PRELIMINARY
100%
REVIEW
NOT FOR
CONSTRUCTION
OR RECORDING

Approvals	Signatory	Date	Approved
			20__

TRANSPORTATION DIRECTOR

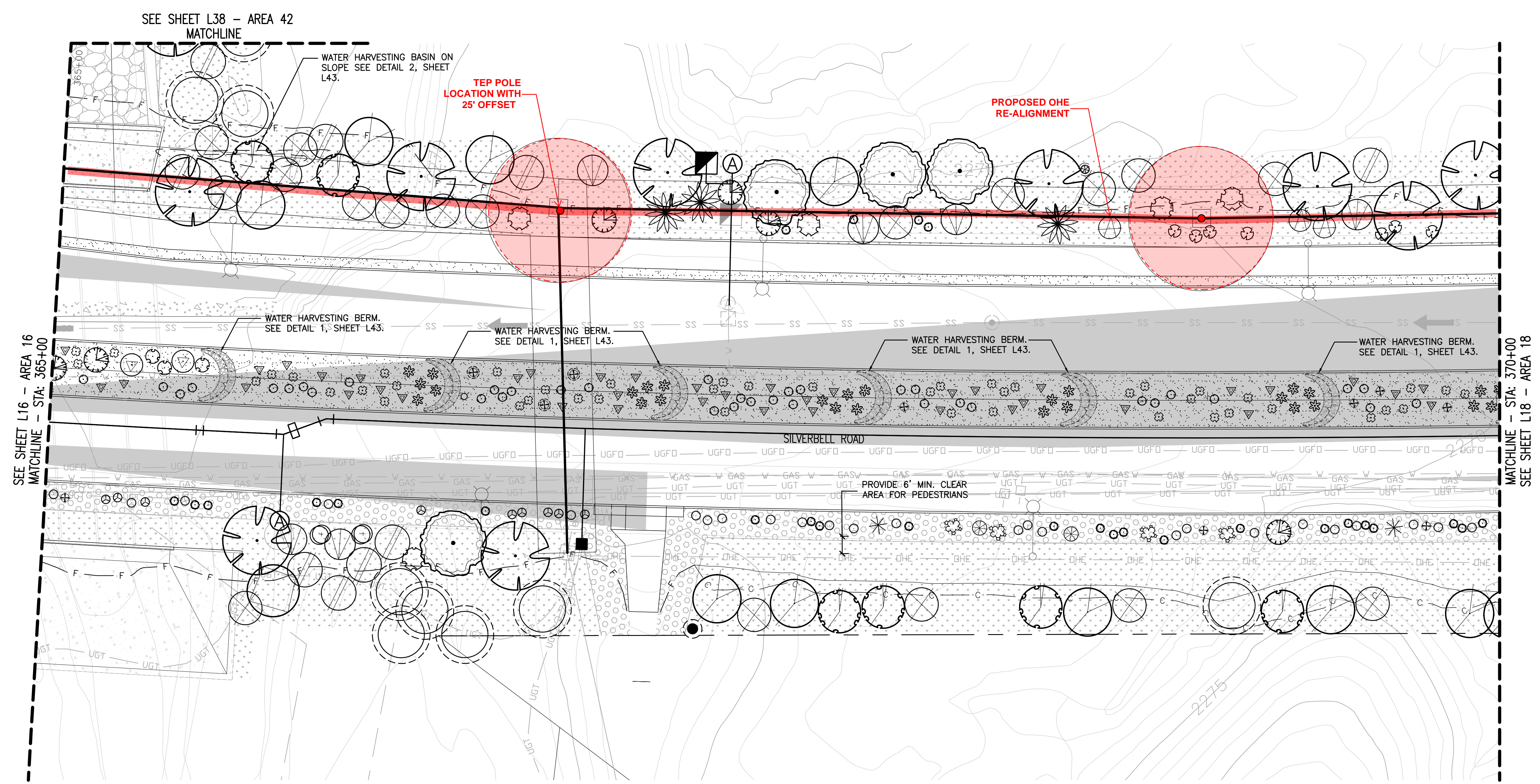
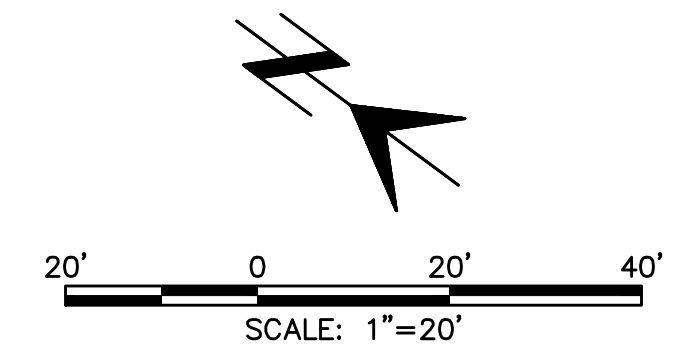
REF. _____ SCALE: 1" = 20'

PLAN NO. _____

216
OF
446

Two working days before you dig,
CALL FOR THE BLUE STAKES
1-800-782-5348

DATE \$
FILE \$



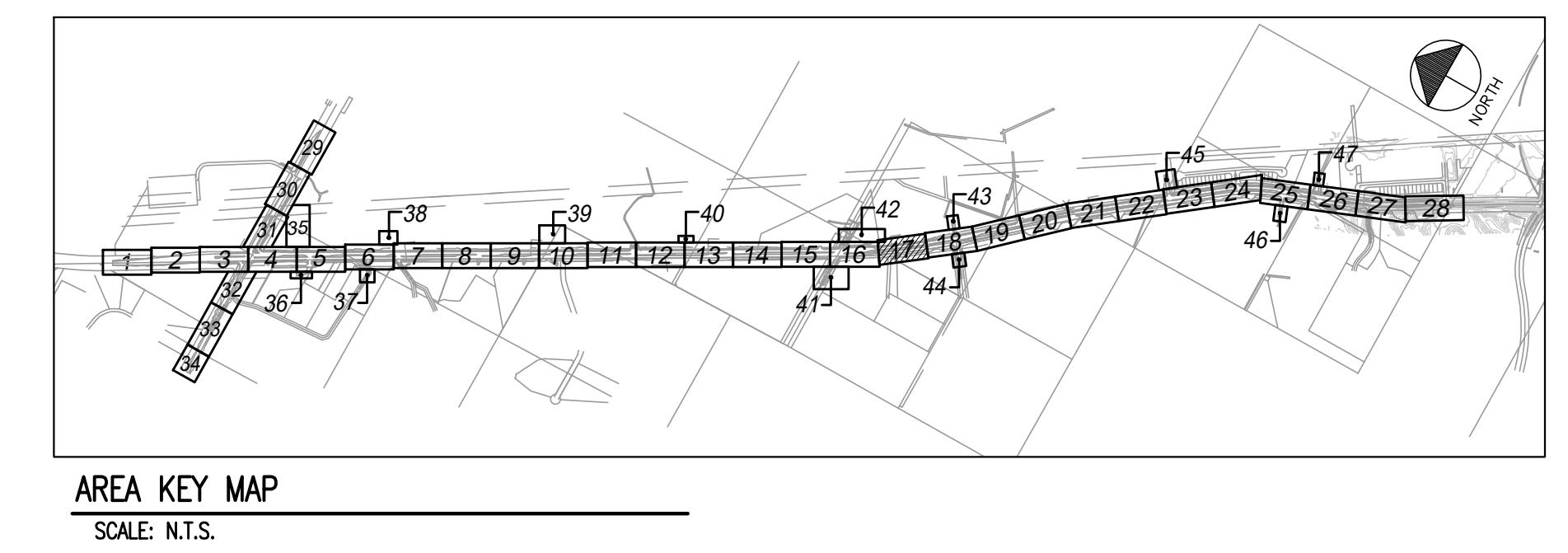
LANDSCAPE LEGEND	
	SIGHT VISIBILITY TRIANGLE
INORGANIC SURFACING	
	DECOMPOSED GRANITE SURFACING
	CONCRETE MEDIAN PAVING
	ROCK MULCH TYPE A
	SLOPE TREATMENT ROCK MULCH TYPE B
	FLEXIMAT SURFACING TO BE HYDROSEEDED WITH LOW-GROW SEED MIX
HYDROSEED MIX	
	AREA TO BE HYDROSEEDED
	AREA TO BE HYDROSEEDED WITH APPROVED LOW-GROW MIX
PROTECTION OF NATIVE VEGETATION - PRESERVATION FENCING TO BE INSTALLED DURING DEMOLITION PHASE AND IS SHOWN ON DEMOLITION PLANS FOR BIDDING AND CONSTRUCTION. PRESERVATION OF NATIVE VEGETATION IS SHOWN ON LANDSCAPE PLANS FOR REFERENCE ONLY.	

SEE SHEET LS40 TO LS43 FOR LANDSCAPE SCHEDULE AND DETAILS

LANDSCAPE PLAN - AREA 17 - STA: 365+00 TO STA: 370+00
SCALE: 1" = 20'-0"

PLANT LEGEND	
	ACACIA CONSTRICTA WHITETHORN ACACIA
	ACACIA GREGGII CATCLAW ACACIA
	CHILOPSIS LINEARIS DESERT WILLOW
	PARKINSONIA MICROPHYLLA FOOTHILLS PALO VERDE
	PROSOPIS VELUTINA VELVET MESQUITE
LARGE SHRUBS	
	LARREA TRIDENTATA CREOSOTE BUSH
	CELTIS PALLIDA DESERT HACKBERRY
	CONDALIA WAINCOCKII CONDALIA
	SIMMONDSIA CHINENSIS JOJOBA
	ZIZIPHUS OBTUSIFOLIA GRAYTHORN
SMALL SHRUBS	
	AMBROSIA DELTOIDEA TRIANGLE-LEAF BURSCAPE
	ANISACANTHUS THURBERI DESERT HONESUCKLE
	ASCLEPIAS SUBULATA DESERT MILKWEED
	CALLIANDRA ERIOPHYLLA FARRY DUSTER
	DALEA PULCHRA BUSH DALEA
	ISOCOMA TENUISECTA BURROWEED
	JUSTITIA CALIFORNICA CHUPAROSA
	CASSIA (SENNA) WISLIZENII SHRUBBY SENNA
	PENSTEMON PARRYI PARRY PENSTEMON
CACTI AND ACCENTS	
	AGAVE CHRYSANTHA GOLDEN-FLOWERED AGAVE
	AGAVE PARRYI PARRY'S AGAVE
	CARNEGIEA GIGANTEA SAGUARO
	ECHINOCEREUS ENGELMANNII HEDGEHOG CACTUS
	FEROCACTUS WISLIZENII FISHHOOK BARREL
	FOUQUIERIA SPLENDENS OCOTILLO
	HESPERALOE PARVIFLORA RED YUCCA
	OPUNTIA BASILARIS BEAVERTAIL PRICKLY PEAR
	OPUNTIA SANTA-RITA PURPLE PRICKLY PEAR
	PENIOCEREUS GREGGII NIGHT BLOOMING CEREUS
	YUCCA BACCATA BANANA YUCCA
	YUCCA ELATA SOAPTREE YUCCA
	TREE TO BE PRESERVED IN PLACE
	SHRUB TO BE PRESERVED IN PLACE
	CACTUS TO BE PRESERVED IN PLACE

NOTE: DASHED LINE AROUND PLANT SYMBOL INDICATES SALVAGED PLANT



AREA KEY MAP
SCALE: N.T.S.

L17 OF L43

McGann & Associates
Landscape Architects and Planners
6814 North Clavin Road, Suite 210, Tucson AZ 85704



DEPARTMENT OF TRANSPORTATION/ENGINEERING DIVISION

SILVERBELL ROAD
EL CAMINO DEL CERRO TO GORET ROAD
L17 LANDSCAPE PLAN - AREA 17

NO.	DATE	REVISION	BY	CHKD.	APPR.

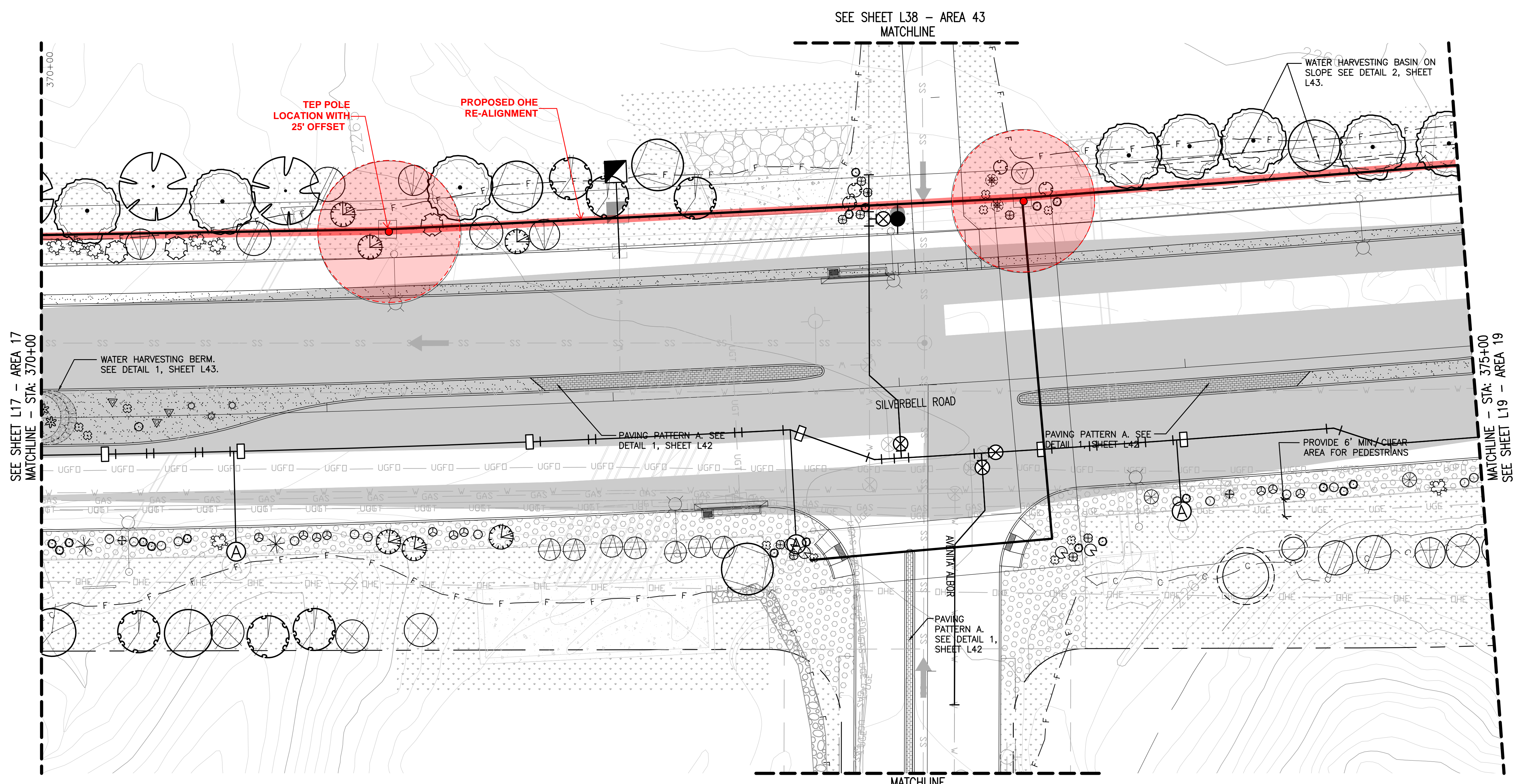
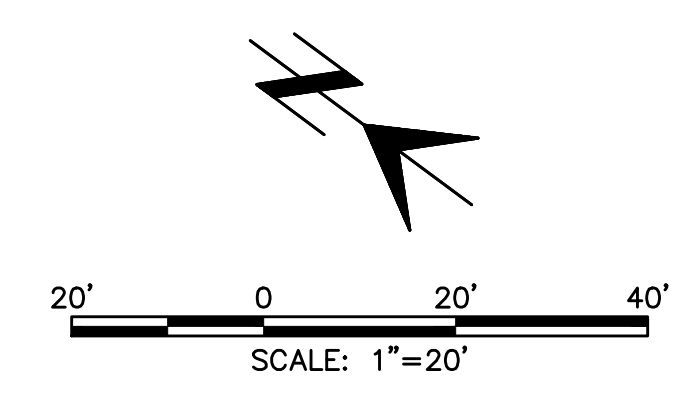
PRELIMINARY
100%
REVIEW
NOT FOR
CONSTRUCTION
OR RECORDING

Approvals	Signatory	Date

Approved _____ 20__ 217
OF
446
TRANSPORTATION DIRECTOR
REF. _____ SCALE: 1" = 20'
PLAN NO. _____

Two working days before you dig,
CALL FOR THE BLUE STAKES
1-800-782-5348

\$DATE\$
\$FILE\$

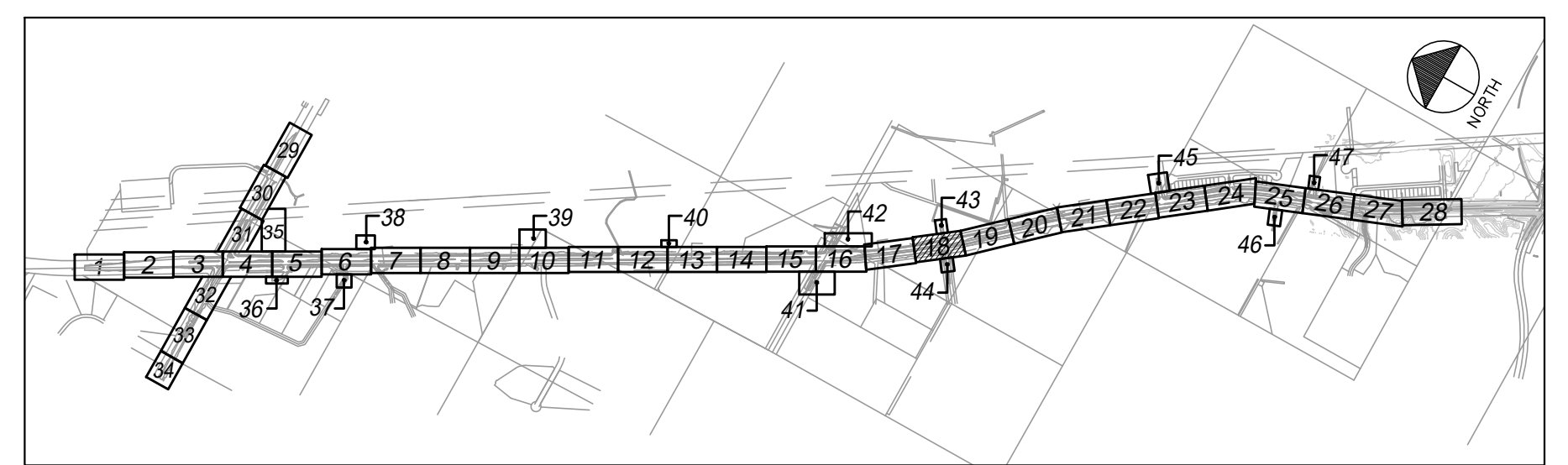


LANDSCAPE LEGEND	
	SIGHT VISIBILITY TRIANGLE
INORGANIC SURFACING	
	DECOMPOSED GRANITE SURFACING
	CONCRETE MEDIAN PAVING
	ROCK MULCH TYPE A
	SLOPE TREATMENT ROCK MULCH TYPE B
	FLEXIMAT SURFACING TO BE HYDROSEEDED WITH LOW-GROW SEED MIX
HYDROSEED MIX	
	AREA TO BE HYDROSEEDED
	AREA TO BE HYDROSEEDED WITH APPROVED LOW-GROW MIX
PROTECTION OF NATIVE VEGETATION - PRESERVATION FENCING TO BE INSTALLED DURING DEMOLITION PHASE AND IS SHOWN ON DEMOLITION PLANS FOR BIDDING AND CONSTRUCTION. PRESERVATION OF NATIVE VEGETATION IS SHOWN ON LANDSCAPE PLANS FOR REFERENCE ONLY.	

SEE SHEET LS40 TO LS43 FOR LANDSCAPE SCHEDULE AND DETAILS

LANDSCAPE PLAN - AREA 18 - STA: 370+00 TO STA: 375+00
SCALE: 1" = 20'-0"

PLANT LEGEND	
	ACACIA CONSTRICTA WHITETHORN ACACIA
	ACACIA GREGGII CATCLAW ACACIA
	CHILOPSIS LINEARIS DESERT WILLOW
	PARKINSONIA MICROPHYLLA FOOTHILLS PALO VERDE
	PROSOPIS VELUTINA VELVET MESQUITE
	LARREA TRIDENTATA CREOSOTE BUSH
	CELTIS PALLIDA DESERT HACKBERRY
	CONDALIA WARNOCKII CONDALIA
	SIMMONDSIA CHINENSIS JOJOBA
	ZIZIPHUS OBTUSIFOLIA GRAYTHORN
	AMBROSIA DELTOIDEA TRIANGLE-LEAF BURSAGE
	ANISACANTHUS THURBERI DESERT HONESUCKLE
	ASCLEPIAS SUBULATA DESERT MILKWEED
	CALANDRIA ERIOPHYLLA FAIRY DUSTER
	DALEA PULCHRA BUSH DALEA
	ISOCOMA TENUISECTA BURROWEED
	JUSTITIA CALIFORNICA CHUPAROSA
	CASSIA (SENNA) WISLIZENII SHRUBBY SENNA
	PENSTEMON PARRYI PARRY PENSTEMON
	AGAVE CHRYSANTHA GOLDEN-FLOWERED AGAVE
	AGAVE PARRYI PARRY'S AGAVE
	CARNEGIEA GIGANTEA SAGUARO
	ECHINOCEREUS ENGELMANNII HEDGEHOG CACTUS
	FEROCACTUS WISLIZENII FISHHOOK BARREL
	FOUQUIERIA SPLENDENS OCOTILLO
	HESPERALOE PARVIFLORA RED YUCCA
	OPUNTIA BASILARIS BEAVERTAIL PRICKLY PEAR
	OPUNTIA SANTA-RITA PURPLE PRICKLY PEAR
	PENIOCEREUS GREGGII NIGHT-BLOOMING CEREUS
	YUCCA BACCATA BANANA YUCCA
	YUCCA ELATA SOAPTREE YUCCA
	TREE TO BE PRESERVED IN PLACE
	SHRUB TO BE PRESERVED IN PLACE
	CACTUS TO BE PRESERVED IN PLACE



AREA KEY MAP
SCALE: N.T.S.

L18 OF L43



DEPARTMENT OF TRANSPORTATION/ENGINEERING DIVISION

SILVERBELL ROAD
EL CAMINO DEL CERRO TO GORET ROAD
L18 LANDSCAPE PLAN - AREA 18

McGann & Associates
Landscape Architects and Planners
6814 North Oracle Road, Suite 210, Tucson, AZ 85704

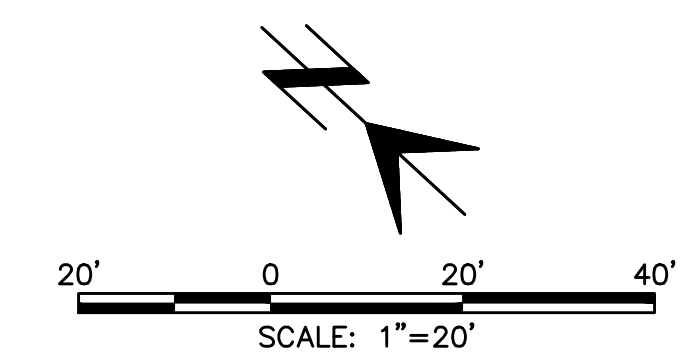
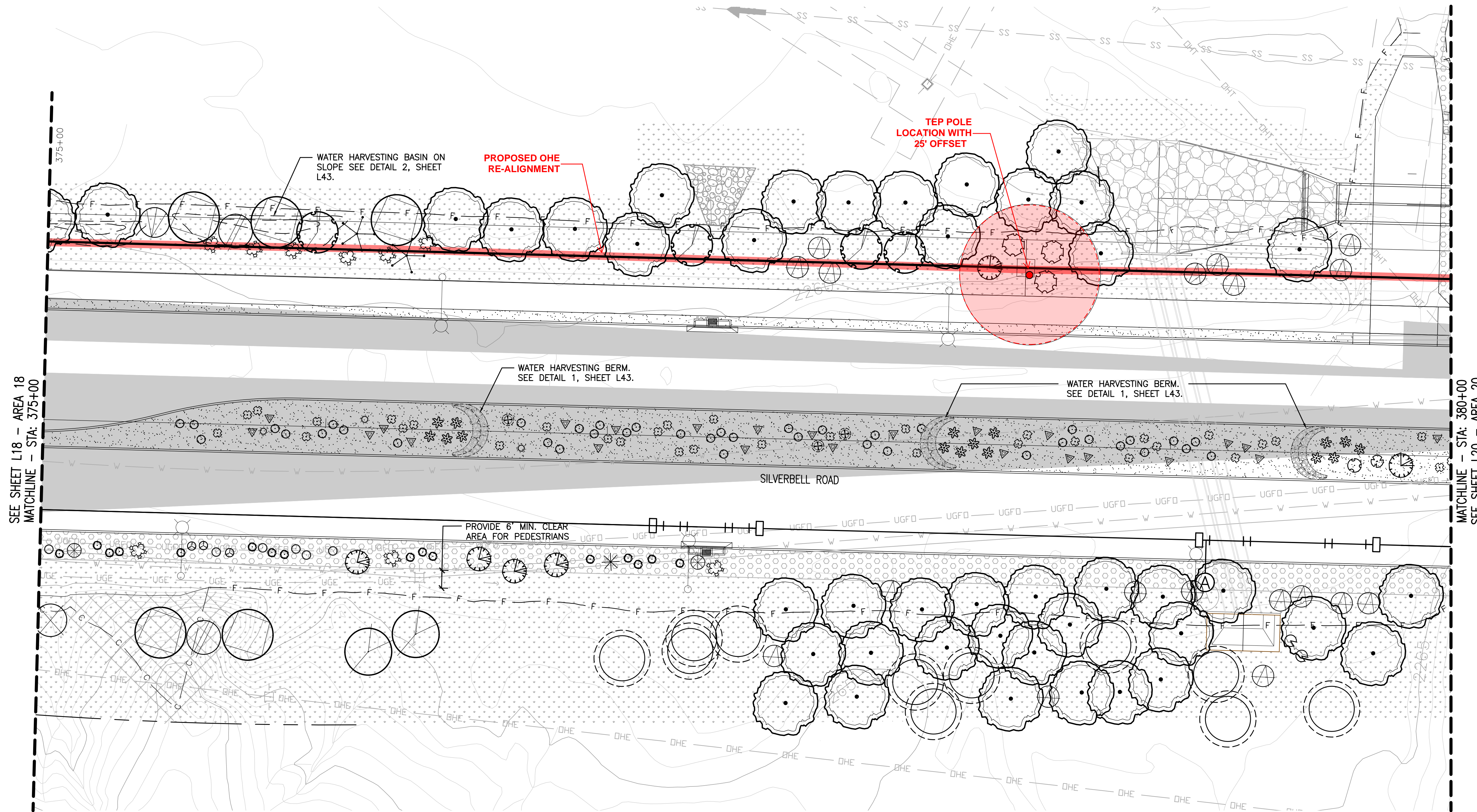
NO.	DATE	REVISION	BY	CHKD.	APPR.

PRELIMINARY
100%
REVIEW
NOT FOR
CONSTRUCTION
OR RECORDING

Approvals	Signatory	Date	Approved
			20__
			218
			OF
			446
			TRANSPORTATION DIRECTOR
			REF. SCALE: 1" = 20'
			PLAN NO.

Two working days before you dig,
CALL FOR THE BLUE STAKES
1-800-782-5348

DATE \$
FILE \$



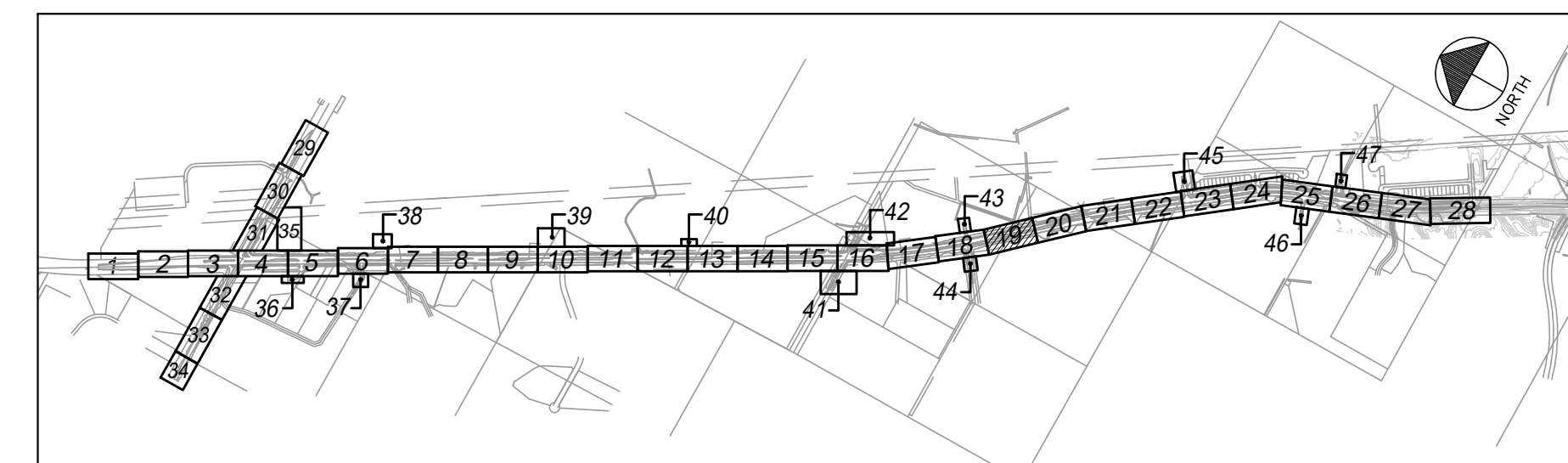
LANDSCAPE LEGEND	
	SIGHT VISIBILITY TRIANGLE
INORGANIC SURFACING	
	DECOMPOSED GRANITE SURFACING
	CONCRETE MEDIAN PAVING
	ROCK MULCH TYPE A
	ROCK MULCH TYPE B
	FLEXIMAT SURFACING TO BE HYDROSEEDED WITH LOW-GROW SEED MIX
HYDROSEED MIX	
	AREA TO BE HYDROSEEDED
	AREA TO BE HYDROSEEDED WITH APPROVED LOW-GROW MIX
PROTECTION OF NATIVE VEGETATION - PRESERVATION FENCING TO BE INSTALLED DURING DEMOLITION PHASE AND IS SHOWN ON DEMOLITION PLANS FOR BIDDING AND CONSTRUCTION. PRESERVATION OF NATIVE VEGETATION IS SHOWN ON LANDSCAPE PLANS FOR REFERENCE ONLY.	

SEE SHEET LS40 TO LS43 FOR LANDSCAPE SCHEDULE AND DETAILS

LANDSCAPE PLAN - AREA 19 - STA: 375+00 TO STA: 380+00
SCALE: 1" = 20'-0"

PLANT LEGEND	
	ACACIA CONSTRICTA WHITETHORN ACACIA
	ACACIA GREGGII CATCLAW ACACIA
	CHILOPSIS LINEARIS DESERT WILLOW
	PARKINSONIA MICROPHYLLA FOOTHILLS PALO VERDE
	PROSOPIS VELUTINA VELVET MESQUITE
	LARREA TRIDENTATA CREOSOTE BUSH
	CELTIS PALLIDA DESERT HACKBERRY
	CONDALIA WERNERI CONDALIA
	SIMMONDSIA CHINENSIS JUGOBA
	ZIZIPHUS OBTUSIFOLIA GRAYTHORN
	AMBROSIA DELTOIDEA TRIANGLE-LEAF BURSAGE
	ANISACANTHUS THURBERI DESERT HONESUCKLE
	ASCLEPIAS SUBULATA DESERT MILKWEED
	CALLIANDRA ERIOPHYLLA FAIRY DUSTER
	DALEA PULCHRA BUSH DALEA
	ISOCOMA TENUISECTA BURROWEED
	JUSTITIA CALIFORNICA CHUPAROSA
	CASSIA (SENNA) WISLIZENII SHRUBBY SENNA
	PENSTEMON PARRYI PARRY PENSTEMON
	AGAVE CHRYSANTHA GOLDEN-FLOWERED AGAVE
	AGAVE PARRYI PARRY'S AGAVE
	CARNEGIEA GIGANTEA SAGUARO
	ECHINOEREUS ENGELMANNII HEDGEHOG CACTUS
	FEROACTUS WISLIZENII FISHHOOK BARREL
	FOQUIERIA SPLENDENS OCOTILLO
	HESPERALOE PARVIFLORA RED YUCCA
	OPUNTIA BASILARIS BEAVERTAIL PRICKLY PEAR
	OPUNTIA SANTA-RITA PURPLE PRICKLY PEAR
	PENIOCIEREUS GREGGII NIGHT BLOOMING CERUS
	YUCCA BACCATA BANANA YUCCA
	YUCCA ELATA SOAPTREE YUCCA
	TREE TO BE PRESERVED IN PLACE
	SHRUB TO BE PRESERVED IN PLACE
	CACTUS TO BE PRESERVED IN PLACE

NOTE: DASHED LINE AROUND PLANT SYMBOL INDICATES SALVAGED PLANT



AREA KEY MAP
SCALE: N.T.S.

L19 OF L43

McGann & Associates
Landscape Architects and Planners
6814 North Oracle Road, Suite 210, Tucson AZ 85704



DEPARTMENT OF TRANSPORTATION/ENGINEERING DIVISION

SILVERBELL ROAD
EL CAMINO DEL CERRO TO GORET ROAD
L19 LANDSCAPE PLAN - AREA 19

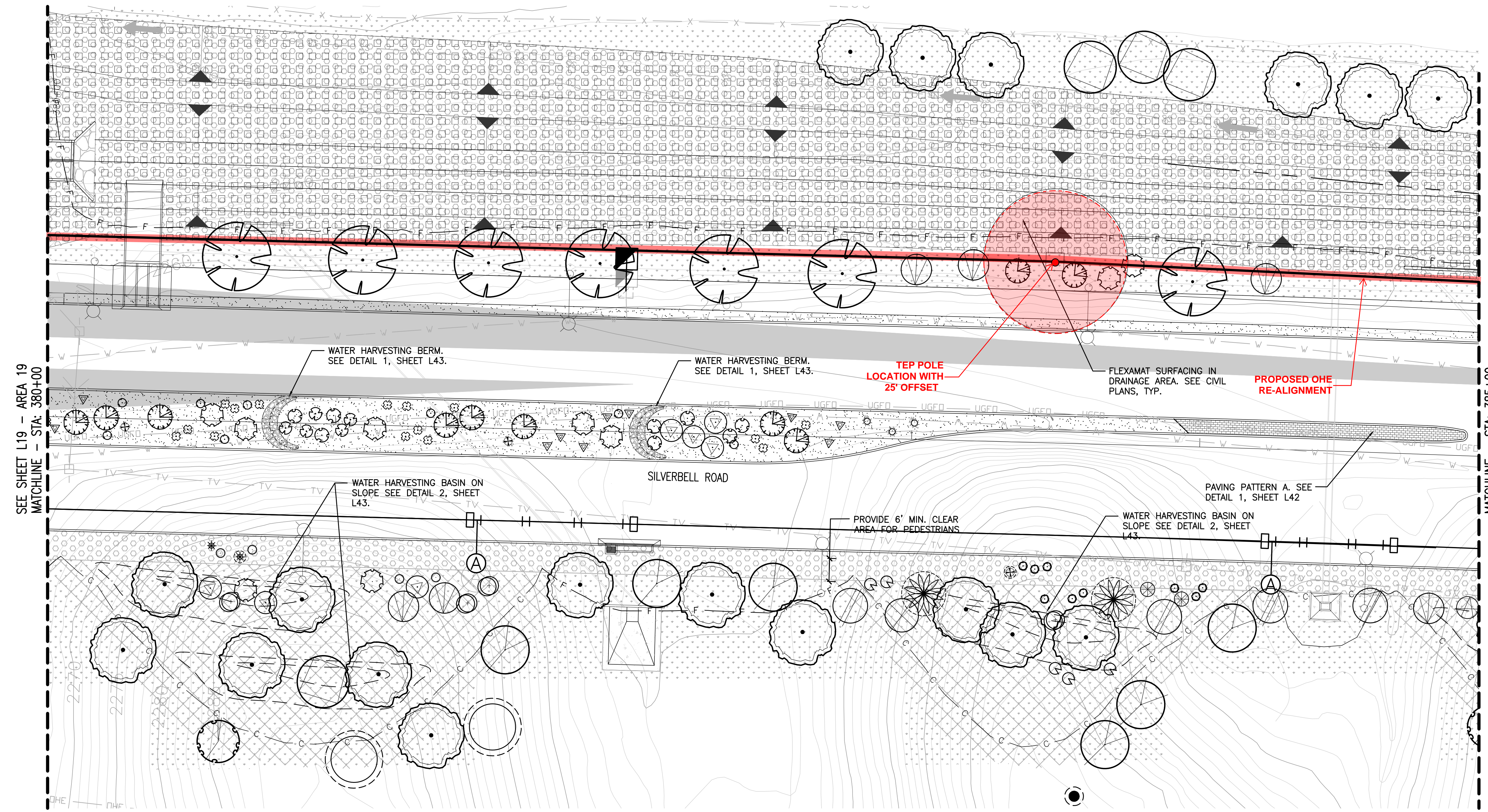
NO.	DATE	REVISION	BY	CHKD.	APPR.

PRELIMINARY
100%
REVIEW
NOT FOR
CONSTRUCTION
OR RECORDING

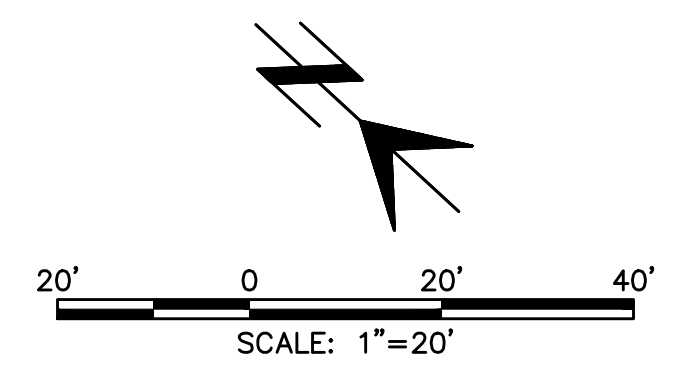
Approvals	Signatory	Date	Approved
			20
			446
TRANSPORTATION DIRECTOR			
REF.			SCALE: 1" = 20'
PLAN NO.			

Two working days before you dig,
CALL FOR THE BLUE STAKES
1-800-782-5348

DATE \$
FILE \$



LANDSCAPE PLAN - AREA 20 - STA: 380+00 TO STA: 385+00
SCALE: 1" = 20'-0"

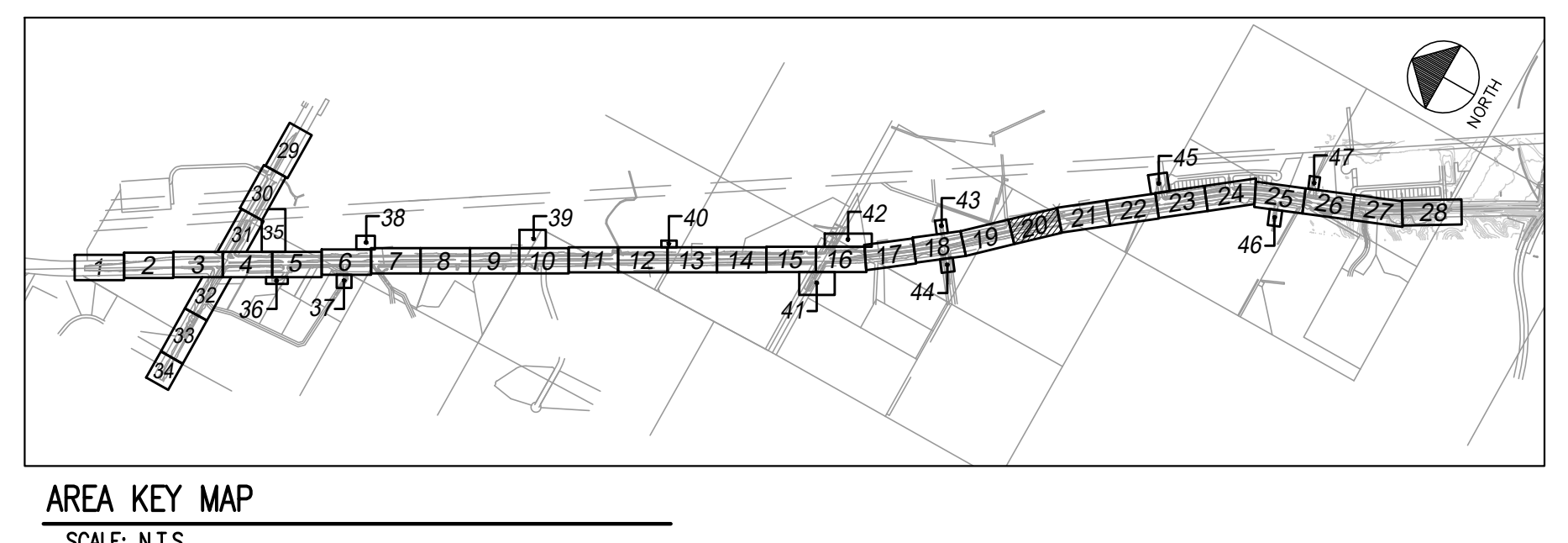


LANDSCAPE LEGEND	
	SIGHT VISIBILITY TRIANGLE
INORGANIC SURFACING	
	DECOMPOSED GRANITE SURFACING
	CONCRETE MEDIAN PAVING
	ROCK MULCH TYPE A
	SLOPE TREATMENT ROCK MULCH TYPE B
	FLEXMAT SURFACING TO BE HYDROSEEDDED WITH LOW-GROW SEED MIX
HYDROSEED MIX	
	AREA TO BE HYDROSEEDDED
	AREA TO BE HYDROSEEDDED WITH APPROVED LOW-GROW MIX
PROTECTION OF NATIVE VEGETATION - PRESERVATION FENCING TO BE INSTALLED DURING DEMOLITION PHASE AND IS SHOWN ON DEMOLITION PLANS FOR BIDDING AND CONSTRUCTION. PRESERVATION OF NATIVE VEGETATION IS SHOWN ON LANDSCAPE PLANS FOR REFERENCE ONLY.	

SEE SHEET LS40 TO LS43 FOR LANDSCAPE SCHEDULE AND DETAILS

PLANT LEGEND	
	ACACIA CONSTRICTA WHITETHORN ACACIA
	ACACIA GREGGII CATCLAW ACACIA
	CHILOPSIS LINEARIS DESERT WILLOW
	PARKINSONIA MICROPHYLLA FOOTHILLS PALO VERDE
	PROSOPIS VELUTINA VELVET MESQUITE
LARGE SHRUBS	
	LARREA TRIDENTATA CREOSOTE BUSH
	CELTIIS PALLIDA DESERT HACKBERRY
	CONDALIA WARNOCKII CONDALIA
	SIMMONDSIA CHINENSIS JOJOBA
	ZIZIPHUS OBTUSIFOLIA GRAYTHORN
SMALL SHRUBS	
	AMBROSIA DELTOIDEA TRIANGLE-LEAF BURSAGE
	ANISACANTHUS THURBERI DESERT HONESUCKLE
	ASCLEPIAS SUBULATA DESERT MILKWEEED
	CALLIANDRA ERIOPHYLLA FAIRY DUSTER
	DALEA PULCHRA BUSH DALEA
	ISOCOMA TENUISECTA BURROWEED
	JUSTICIA CALIFORNICA CHUPAROSA
	CASSIA (SENNA) WISLIZENII SHRUBBY SENNA
	PENSTEMON PARRYI PARRY PENSTEMON
CACTI AND ACCENTS	
	AGAVE CHRYSANTHA GOLDEN-FLOWERED AGAVE
	AGAVE PARRYI PARRY'S AGAVE
	CARNEGIEA GIGANTEA SAGUARO
	ECHINOCEREUS ENGELMANNII HEDGEHOG CACTUS
	FEROCACTUS WISLIZENII FISHHOOK BARREL
	FOUQUIERIA SPLENDENS OCOTILLO
	HESPERALOE PARVIFLORA RED YUCCA
	OPUNTIA BASILARIS BEAVERTAIL PRICKLY PEAR
	OPUNTIA SANTA-RITA PURPLE PRICKLY PEAR
	PENIOCEREUS GREGGII NIGHT BLOOMING CEREUS
	YUCCA BACCATA BANANA YUCCA
	YUCCA ELATA SOAPTREE YUCCA
	TREE TO BE PRESERVED IN PLACE
	SHRUB TO BE PRESERVED IN PLACE
	CACTUS TO BE PRESERVED IN PLACE

NOTE: DASHED LINE AROUND PLANT SYMBOL INDICATES SALVAGED PLANT



L20 OF L43



DEPARTMENT OF TRANSPORTATION/ENGINEERING DIVISION

SILVERBELL ROAD
EL CAMINO DEL CERRO TO GORET ROAD
L20 LANDSCAPE PLAN - AREA 20

McGann & Associates
Landscape Architects and Planners
6814 North Clason Road, Suite 210, Tucson AZ 85704

NO.	DATE	REVISION	BY	CHKD.	APPR.

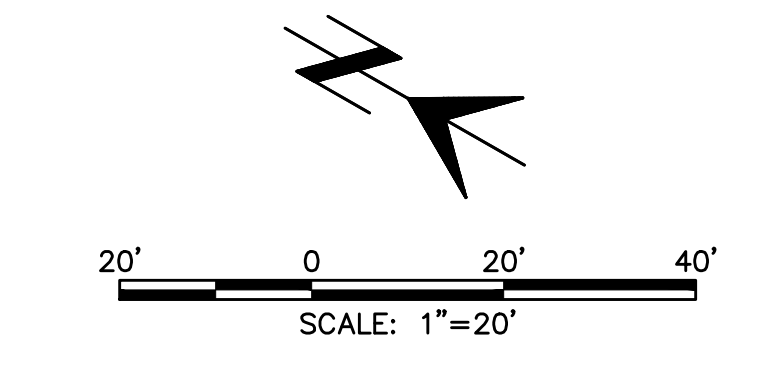
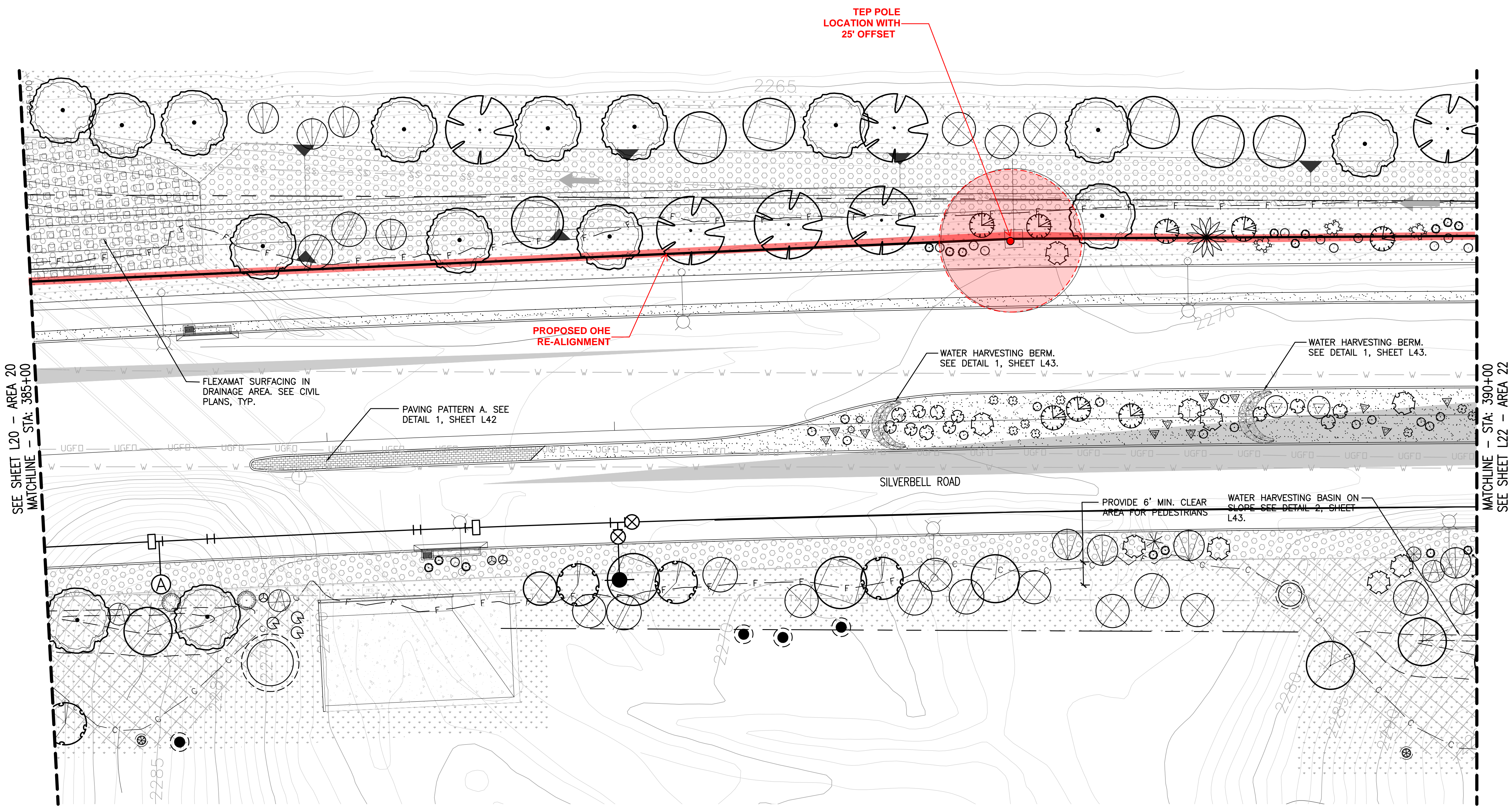
PRELIMINARY
100%
REVIEW
NOT FOR
CONSTRUCTION
OR RECORDING

Approvals	Signatory	Date

Approved _____ 20__ 220 OF 446
TRANSPORTATION DIRECTOR
REF. _____ SCALE: 1" = 20'
PLAN NO. _____

Two working days before you dig,
CALL FOR THE BLUE STAKES
1-800-782-5348

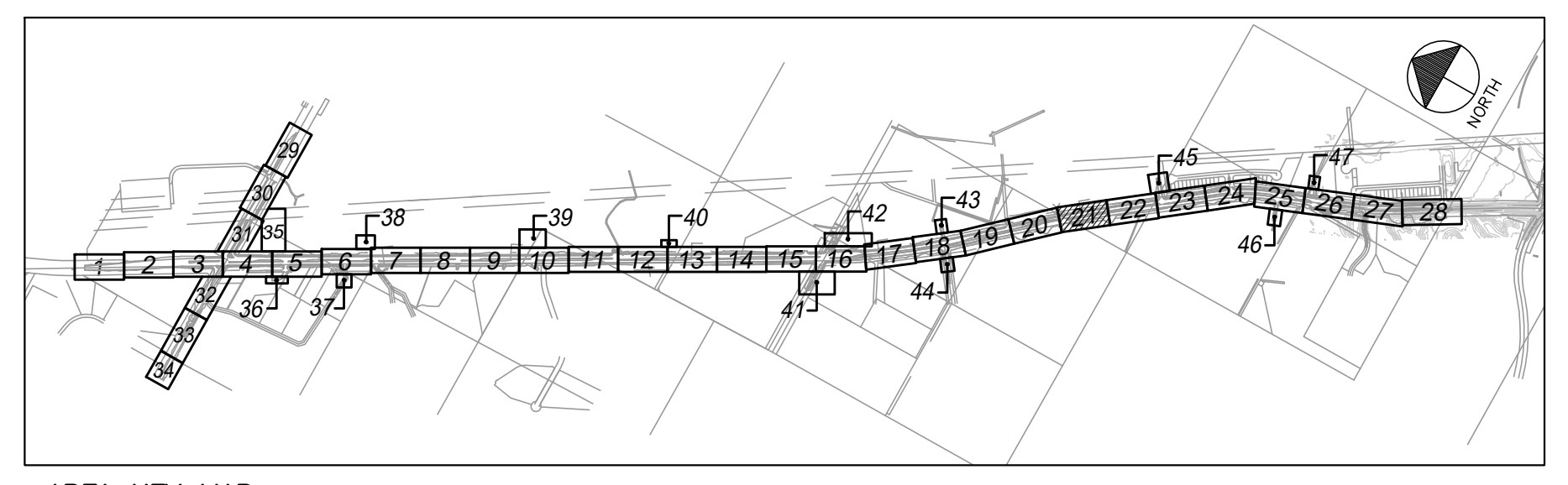
DATE \$
FILE \$



LANDSCAPE LEGEND	
	SIGHT VISIBILITY TRIANGLE
INORGANIC SURFACING	
	DECOMPOSED GRANITE SURFACING
	CONCRETE MEDIAN PAVING
	ROCK MULCH TYPE A
	SLOPE TREATMENT ROCK MULCH TYPE B
	FLEXIMAT SURFACING TO BE HYDROSEEDED WITH LOW-GROW SEED MIX
HYDROSEED MIX	
	AREA TO BE HYDROSEEDED
	AREA TO BE HYDROSEEDED WITH APPROVED LOW-GROW MIX
PROTECTION OF NATIVE VEGETATION - PRESERVATION FENCING TO BE INSTALLED DURING DEMOLITION PHASE AND IS SHOWN ON DEMOLITION PLANS FOR BIDDING AND CONSTRUCTION. PRESERVATION OF NATIVE VEGETATION IS SHOWN ON LANDSCAPE PLANS FOR REFERENCE ONLY.	

SEE SHEET LS40 TO LS43 FOR LANDSCAPE SCHEDULE AND DETAILS

LANDSCAPE PLAN - AREA 21 - STA: 385+00 TO STA: 390+00
SCALE: 1" = 20'-0"



AREA KEY MAP
SCALE: N.T.S.

L21 OF L43

PLANT LEGEND		TREES		SHRUBS		CACTI AND AGENTS		PRESERVED IN PLACE	
	ACACIA CONSTRICTA WHITETHORN ACACIA		PARKINSONIA MICROPHYLLA FOOTHILLS PALO VERDE		LARREA TRIDENTATA CREOSOTE BUSH		AMBROSIA DELTOIDEA TRIANGLE-LEAF BURSAE		HESPERALOE PARVIFLORA RED YUCCA
	ACACIA GREGGII CATCLAW ACACIA		PROSOPIS VELUTINA VELVET MESQUITE		CELTIS PALLIDA DESERT HACKBERRY		ANISACANTHUS THURBERI DESERT HONESUCKLE		OPUNTIA BASILARIS BEAVERTAIL PRICKLY PEAR
	CHILOPSIS LINEARIS DESERT WILLOW		CERCOCARPUS BETULINA WAX LEAF BURNING BUSH		CONDALIA WARNOCKII CONDALIA		ASCLEPIAS TUBEROSA DESERT MILKWEEED		OPUNTIA SANTA-RITA PURPLE PRICKLY PEAR
			SIMMONDSIA CHINENSIS JOJOBA		DALEA PULCHRA BUSH DALEA		CARNEGIEA GIGANTEA SAGUARO		PENIOCIEREUS GREGGII NIGHT BLOOMING CEREUS
			ZIZIPHUS OBTUSIFOLIA GRAYTHORN		ISOCOMA TENUISECTA BURROWEED		ECHINOCEREUS ENGELMANNII HEDGEHOG CACTUS		YUCCA BACCATA BANANA YUCCA
					JUSTITIA CALIFORNICA CHUPAROSA		FOUQUIERIA SPLENDENS OCOTILLO		YUCCA ELATA SOAPTREE YUCCA
					CASSIA (SENNA) WISLIZENII SHRUBBY SENNA				
					PENSTEMON PARRYI PARRY PENSTEMON				

NOTE: DASHED LINE AROUND PLANT SYMBOL INDICATES SALVAGED PLANT



DEPARTMENT OF TRANSPORTATION/ENGINEERING DIVISION

SILVERBELL ROAD
EL CAMINO DEL CERRO TO GORET ROAD
L21 LANDSCAPE PLAN - AREA 21

PRELIMINARY
100%
REVIEW
NOT FOR
CONSTRUCTION
OR RECORDING

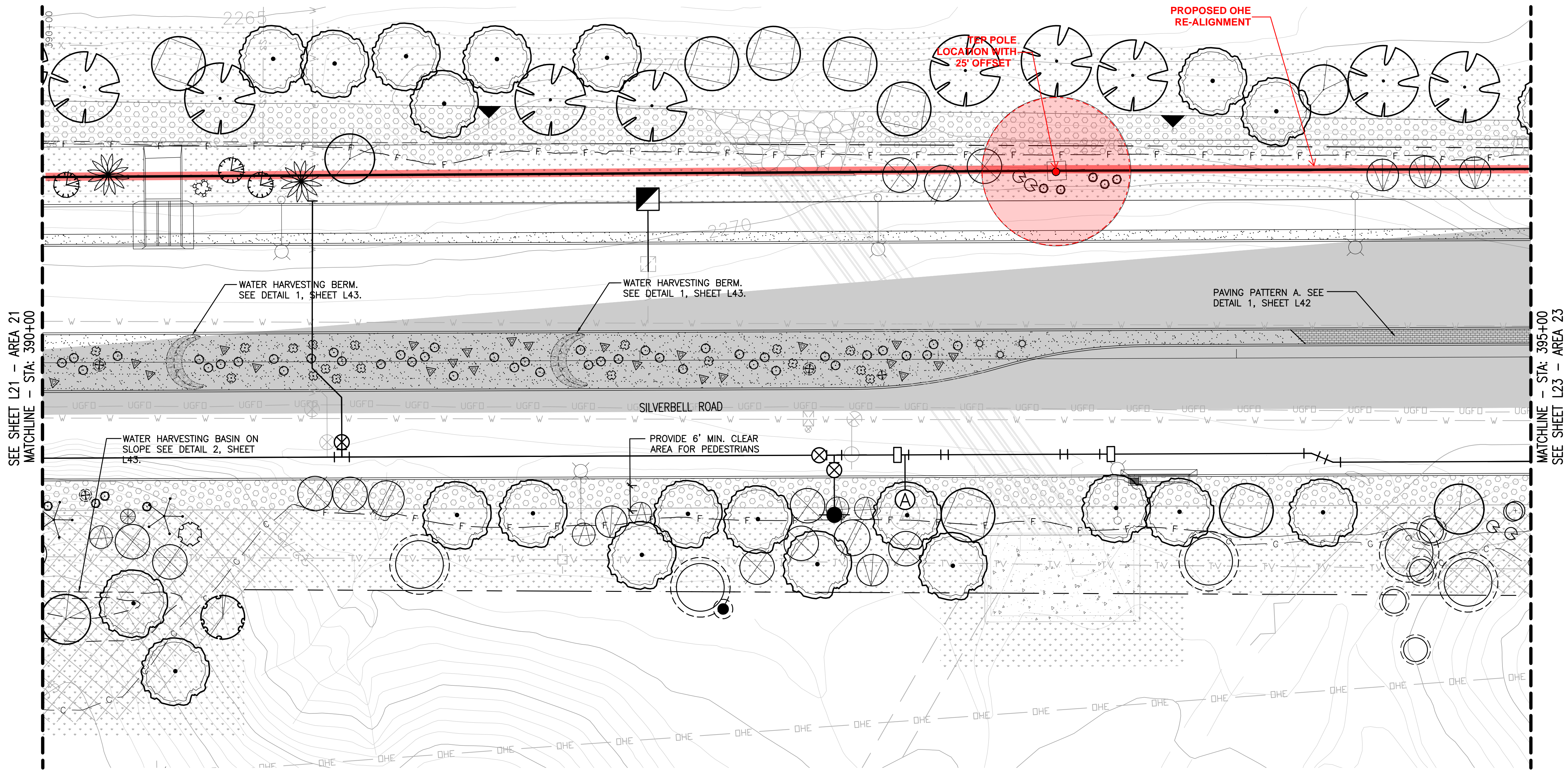
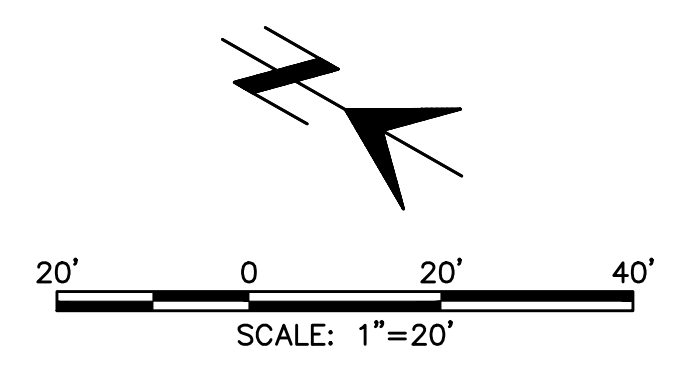
Approvals	Signatory	Date	Approved
			20__
			446
			TRANSPORTATION DIRECTOR
			REF. SCALE: 1" = 20'
			PLAN NO.

NO.	DATE	REVISION	BY	CHKD.	APPR.

Two working days before you dig,
CALL FOR THE BLUE STAKES
1-800-782-5348

DATE \$
FILE \$

McGann & Associates
Landscape Architects and Planners
12/20/18



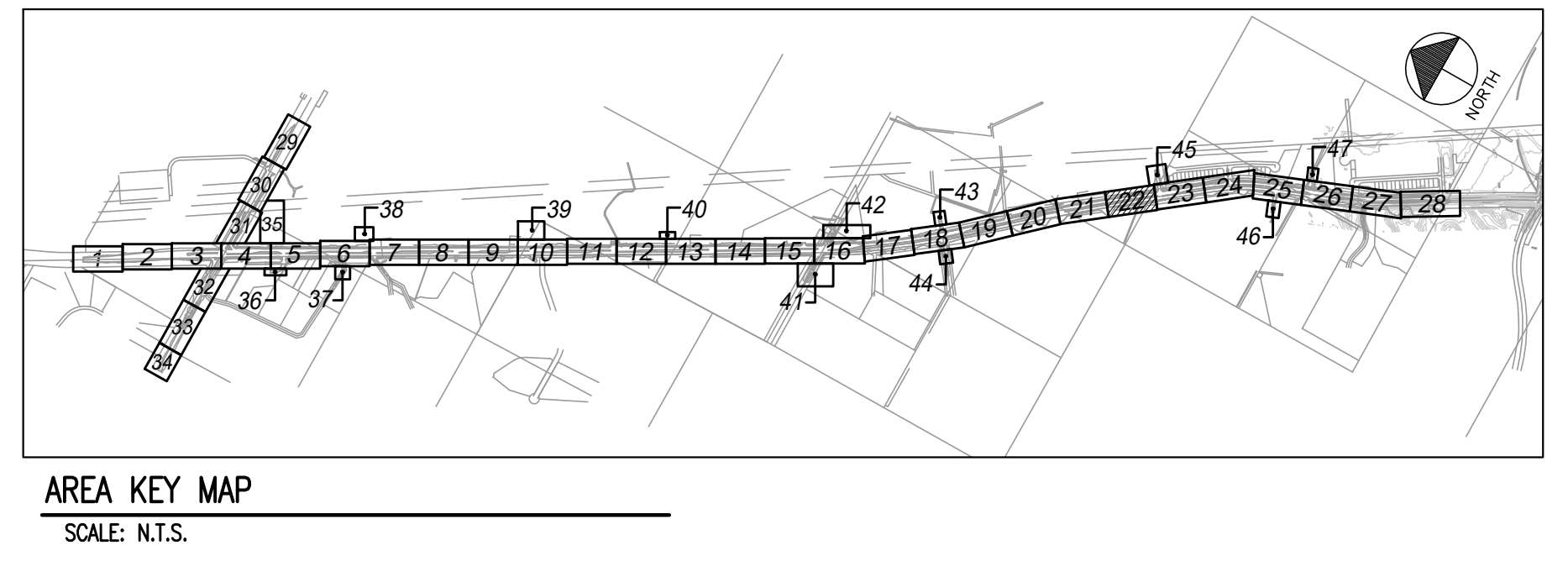
LANDSCAPE LEGEND	
	SIGHT VISIBILITY TRIANGLE
INORGANIC SURFACING	
	DECOMPOSED GRANITE SURFACING
	CONCRETE MEDIAN PAVING
	ROCK MULCH TYPE A
	SLOPE TREATMENT ROCK MULCH TYPE B
	FLEXIMAT SURFACING TO BE HYDROSEEDDED WITH LOW-GROW SEED MIX
HYDROSEED MIX	
	AREA TO BE HYDROSEEDDED
	AREA TO BE HYDROSEEDDED WITH APPROVED LOW-GROW MIX
PROTECTION OF NATIVE VEGETATION - PRESERVATION FENCING TO BE INSTALLED DURING DEMOLITION PHASE AND IS SHOWN ON DEMOLITION PLANS FOR BIDDING AND CONSTRUCTION. PRESERVATION OF NATIVE VEGETATION IS SHOWN ON LANDSCAPE PLANS FOR REFERENCE ONLY.	

SEE SHEET LS40 TO LS43 FOR LANDSCAPE SCHEDULE AND DETAILS

LANDSCAPE PLAN - AREA 22 - STA: 390+00 TO STA: 395+00
SCALE: 1" = 20'-0"

PLANT LEGEND	
	ACACIA CONSTRICTA WHITETHORN ACACIA
	ACACIA GREGGII CATCLAW ACACIA
	CHILOPSIS LINEARIS DESERT WILLOW
	PARKINSONIA MICROPHYLLA FOOTHILLS PALO VERDE
	PROSOPIS VELUTINA VELVET MESQUITE
LARGE SHRUBS	
	LARREA TRIDENTATA CREOSOTE BUSH
	CELTIS PALLIDA DESERT HACKBERRY
	CONDALIA WARNOCKII CONDALIA
	SIMMONDSIA CHINENSIS JOJOBA
	ZIZIPHUS OBTUSIFOLIA GRAYTHORN
SMALL SHRUBS	
	AMBROSIA DELTOIDEA TRIANGLE-LEAF BURSAGE
	ANISACANTHUS THURBERI DESERT HONESUCKLE
	ASCLEPIAS SURBULATA DESERT MILKWEEED
	CALLIANDRA ERIOPHYLLA FAIRY DUSTER
	DALEA PULCHRA BUSH DALEA
	ISOCOMA TENUISECTA BURROWEED
	JUSTICIA CALIFORNICA CHUPAROSA
	CASSIA (SENNA) WISLIZENII SHRUBBY SENNA
	PENSTEMON PARRYI PARRY PENSTEMON
CACTI AND AGAVES	
	AGAVE CHRYSANTHA GOLDEN-FLOWERED AGAVE
	AGAVE PARRYI PARRY'S AGAVE
	CARNEGIEA GIGANTEA SAGUARO
	ECHINOEREUS ENGELMANNII HEDGEHOG CACTUS
	FEROCACTUS WISLIZENI FISHHOOK BARREL
	FOUQUIERIA SPLENDENS OCOTILLO
	HESPERALOE PARVIFLORA RED YUCCA
	OPUNTIA BASILARIS BEAVERTAIL PRICKLY PEAR
	OPUNTIA SANTA-RITA PURPLE PRICKLY PEAR
	PENIOCIEREUS GREGGII NIGHT-BLOOMING CEREUS
	YUCCA BACCATA BANANA YUCCA
	YUCCA ELATA SOAPTREE YUCCA
	TREE TO BE PRESERVED IN PLACE
	SHRUB TO BE PRESERVED IN PLACE
	CACTUS TO BE PRESERVED IN PLACE

NOTE: DASHED LINE AROUND PLANT SYMBOL INDICATES SALVAGED PLANT



L22 OF L43

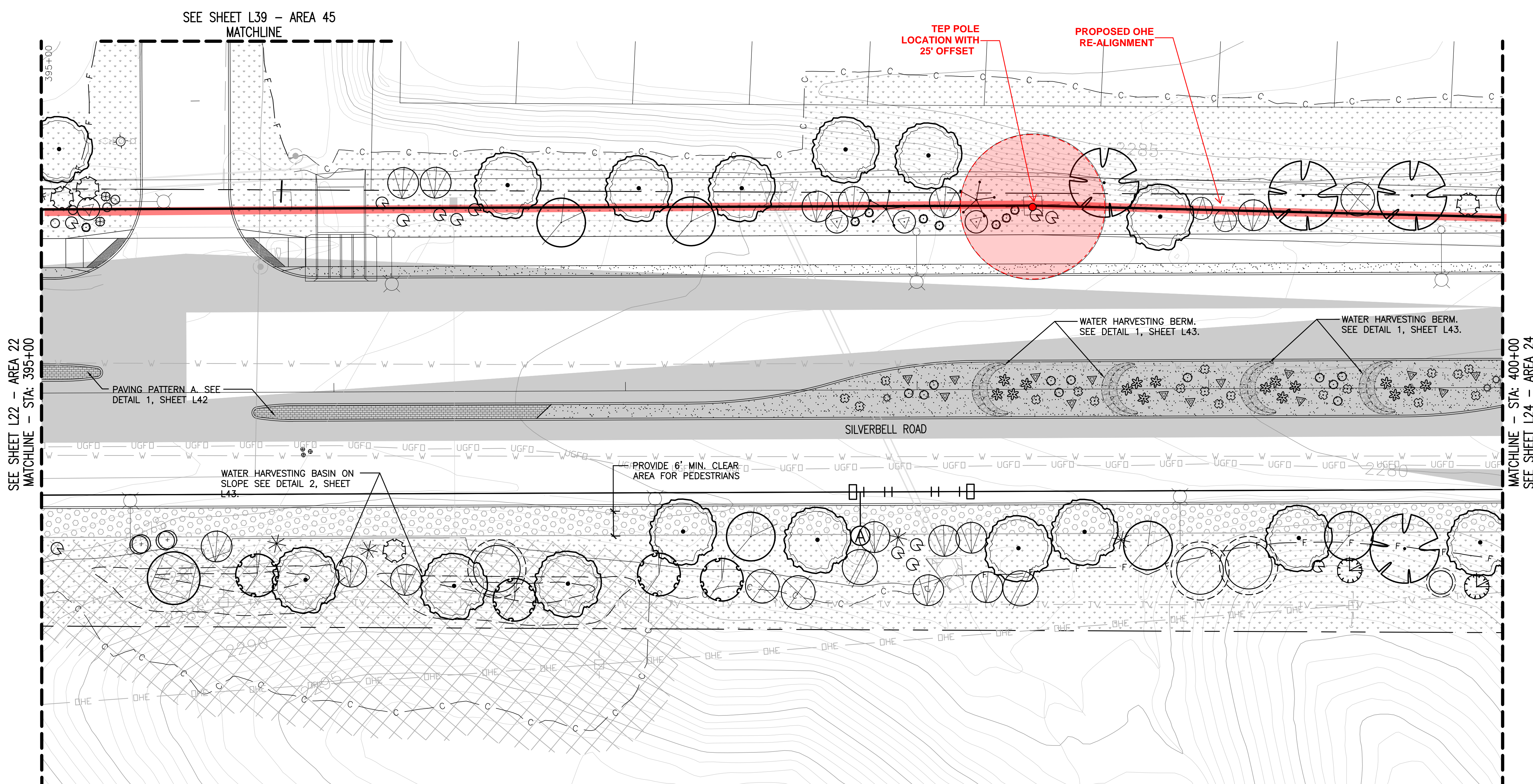
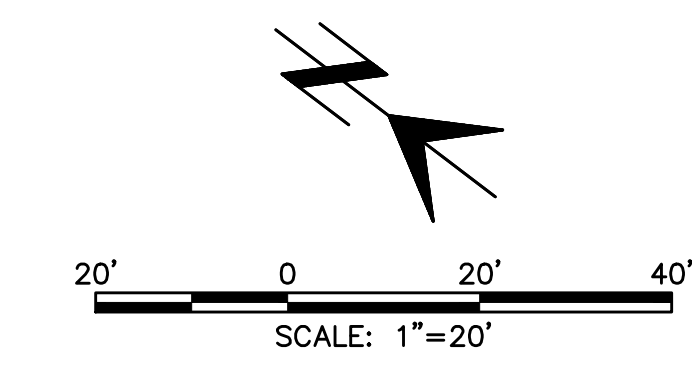


DEPARTMENT OF TRANSPORTATION/ENGINEERING DIVISION

SILVERBELL ROAD
EL CAMINO DEL CERRO TO GORET ROAD
L22 LANDSCAPE PLAN - AREA 22

PRELIMINARY 100% REVIEW NOT FOR	Approvals	Signatory	Date	Approved _____ 20__	222 OF 446 TRANSPORTATION DIRECTOR

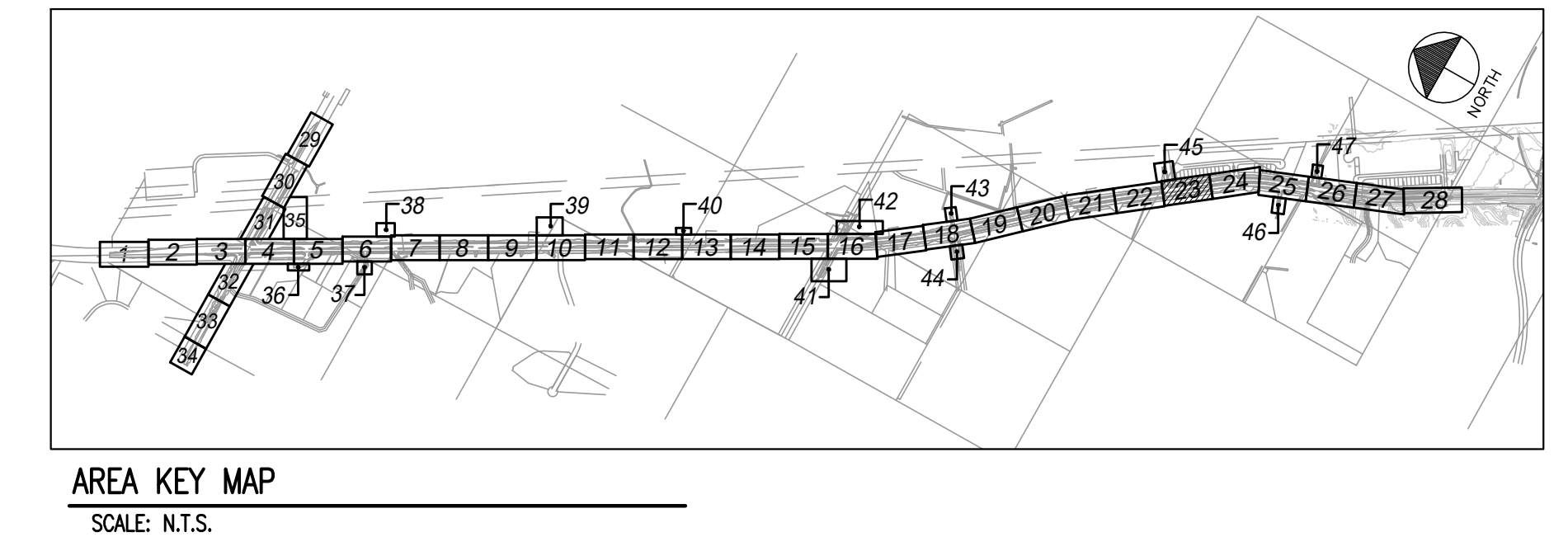
Two working days before you go,
CALL FOR THE BLUE STAKES
1-800-782-5348



LANDSCAPE LEGEND	
	SIGHT VISIBILITY TRIANGLE
INORGANIC SURFACING	
	DECOMPOSED GRANITE SURFACING
	CONCRETE MEDIAN PAVING
	ROCK MULCH TYPE A
	SLOPE TREATMENT ROCK MULCH TYPE B
	FLEXIMAT SURFACING TO BE HYDROSEEDED WITH LOW-GROW SEED MIX
HYDROSEED MIX	
	AREA TO BE HYDROSEEDED
	AREA TO BE HYDROSEEDED WITH APPROVED LOW-GROW MIX
PROTECTION OF NATIVE VEGETATION - PRESERVATION FENCING TO BE INSTALLED DURING DEMOLITION PHASE AND IS SHOWN ON DEMOLITION PLANS FOR BIDDING AND CONSTRUCTION. PRESERVATION OF NATIVE VEGETATION IS SHOWN ON LANDSCAPE PLANS FOR REFERENCE ONLY.	

SEE SHEET LS40 TO LS43 FOR LANDSCAPE SCHEDULE AND DETAILS

LANDSCAPE PLAN - AREA 23 - STA: 395+00 TO STA: 400+00
SCALE: 1" = 20'-0"



PLANT LEGEND		TREES		SHRUBS		CACTI AND AGENTS		PRESERVED IN PLACE	
	ACACIA CONSTRICTA WHITETHORN ACACIA		PARKINSONIA MICROPHYLLA FOOTHILLS PALO VERDE		LARREA TRIDENTATA CREOSOTE BUSH		AMBROSIA DELTOIDEA TRIANGLE-LEAF BURSAGE		AGAVE CHRYSANTHA GOLDEN-FLOWERED AGAVE
	ACACIA GREGGII CATCLAW ACACIA		PROSOPIS VELUTINA VELVET MESQUITE		CELTIS PALLIDA DESERT HACKBERRY		ANISACANTHUS THURBERI DESERT HONESUCKLE		AGAVE PARRYI PARRY'S AGAVE
	CHILOPSIS LINEARIS DESERT WILLOW		CONDALIA WARNOCKII CONDALIA		SIMMONDSIA CHINENSIS JOJOBA		ASCLEPIAS SURBULATA DESERT MILKWEEED		CARNEGIEA GIGANTEA SAGUARO
			ZIZIPHUS OBTUSIFOLIA GRAYTHORN		CASSIA (SENNA) WISLIZENII SHRUBBY SENNA		CALLIANDRA ERIOPHYLLA FAIRY DUSTER		ECHINOCEREUS ENGELMANNII HEDGEHOG CACTUS
					JUSTITIA CALIFORNICA CHUPAROSA		DALEA PULCHRA BUSH DALEA		FOUQUIERIA SPLENDENS OCOTILLO
					PENSTEMON PARRYI PARRY PENSTEMON		ISOCOMA TENUISECTA BURROWEED		HESPERALOE PARVIFLORA RED YUCCA
							CASSIA (SENNA) WISLIZENII SHRUBBY SENNA		OPUNTIA BASILARIS BEAVERTAIL PRICKLY PEAR
							CASSIA (SENNA) WISLIZENII SHRUBBY SENNA		OPUNTIA SANTA-RITA PURPLE PRICKLY PEAR
									PENIOCEEREUS GREGGII NIGHT BLOOMING CERESUS
									YUCCA BACCATA BANANA YUCCA
									YUCCA ELATA SOAPTREE YUCCA
									TREE TO BE PRESERVED IN PLACE
									SHRUB TO BE PRESERVED IN PLACE
									CACTUS TO BE PRESERVED IN PLACE

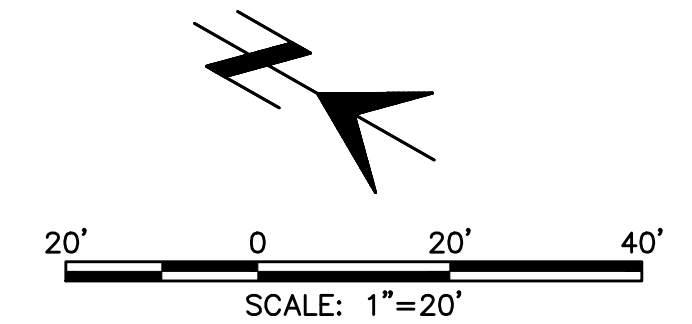
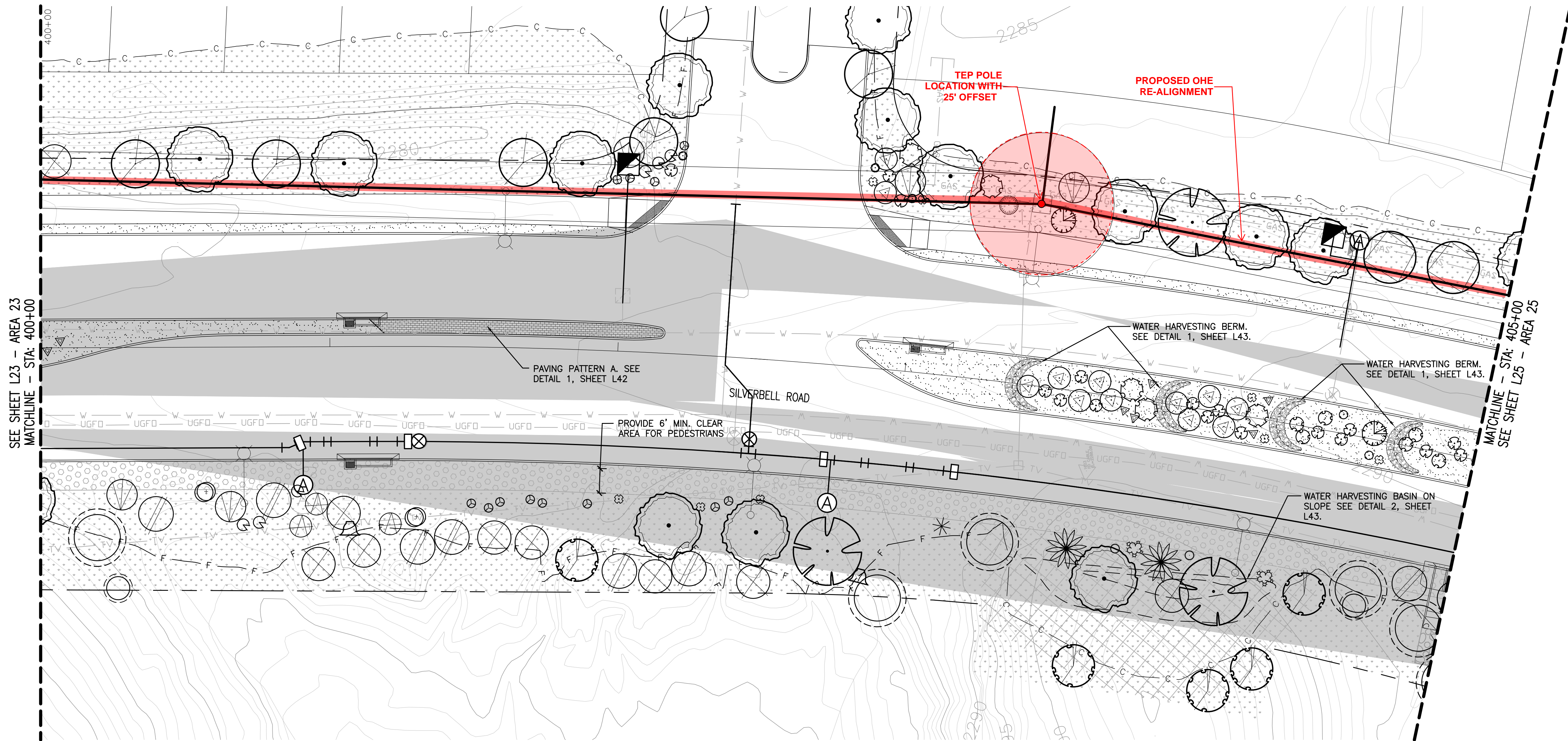
NOTE: DASHED LINE AROUND PLANT SYMBOL INDICATES SALVAGED PLANT



DEPARTMENT OF TRANSPORTATION/ENGINEERING DIVISION			
SILVERBELL ROAD EL CAMINO DEL CERRO TO GORET ROAD L23 LANDSCAPE PLAN - AREA 23			
PRELIMINARY	Approvals	Signatory	Date
100%			
REVIEW NOT FOR			
			Approved _____ 20__
			TRANSPORTATION DIRECTOR

L23 OF L43

223
OF
446



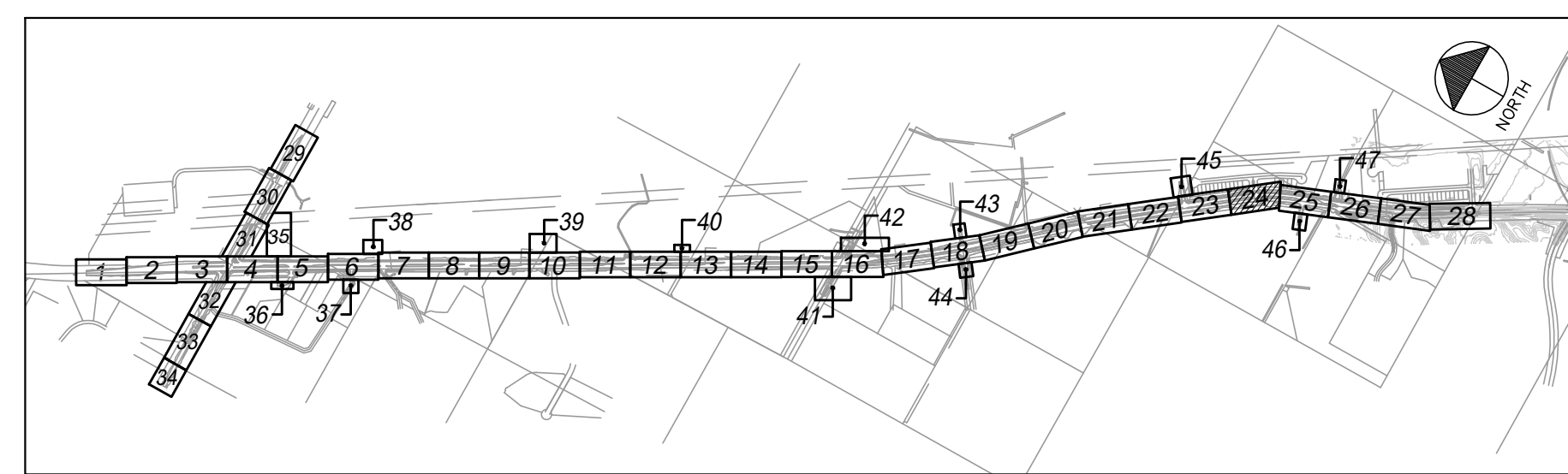
LANDSCAPE LEGEND	
	SIGHT VISIBILITY TRIANGLE
INORGANIC SURFACING	
	DECOMPOSED GRANITE SURFACING
	CONCRETE MEDIAN PAVING
	ROCK MULCH TYPE A
	SLOPE TREATMENT ROCK MULCH TYPE B
	FLEXIMAT SURFACING TO BE HYDROSEEDED WITH LOW-GROW SEED MIX
HYDROSEED MIX	
	AREA TO BE HYDROSEEDED
	AREA TO BE HYDROSEEDED WITH APPROVED LOW-GROW MIX
PROTECTION OF NATIVE VEGETATION - PRESERVATION FENCING TO BE INSTALLED DURING DEMOLITION PHASE AND IS SHOWN ON DEMOLITION PLANS FOR BIDDING AND CONSTRUCTION. PRESERVATION OF NATIVE VEGETATION IS SHOWN ON LANDSCAPE PLANS FOR REFERENCE ONLY.	

SEE SHEET LS40 TO LS43 FOR LANDSCAPE SCHEDULE AND DETAILS

LANDSCAPE PLAN - AREA 24 - STA: 400+00 TO STA: 405+00
SCALE: 1" = 20'-0"

PLANT LEGEND	
	ACACIA CONSTRICTA WHITETHORN ACACIA
	ACACIA GREGGII CATCLAW ACACIA
	CHILOPSIS LINEARIS DESERT WILLOW
	PARKINSONIA MICROPHYLLA FOOTHILLS PALO VERDE
	PROSOPIS VELUTINA VELVET MESQUITE
LARGE SHRUBS	
	LARREA TRIDENTATA CREOSOTE BUSH
	CELTIS PALLIDA DESERT HACKBERRY
	CONDALIA WARNOCKII CONDALIA
	SIMMONDSIA CHINENSIS JOJOBA
	ZIZIPHUS OBTUSIFOLIA GRAYTHORN
SMALL SHRUBS	
	AMBROSIA DELTOIDEA TRIANGLE-LEAF BURSAE
	ANISACANTHUS THURBERI DESERT HONESUCKLE
	ASCLEPIAS SURBULATA DESERT MILKWEED
	CALLIANDRA ERIOPHYLLA FAIRY DUSTER
	DALEA PULCHRA BUSH DALEA
	ISOCOMA TENUISECTA BURROWEED
	JUSTICIA CALIFORNICA CHUPAROSA
	CASSIA (SENNA) WISLIZENII SHRUBBY SENNA
	PENSTEMON PARRYI PARRY PENSTEMON
CACTI AND AGAVES	
	AGAVE CHRYSANTHA GOLDEN-FLOWERED AGAVE
	AGAVE PARRYI PARRY'S AGAVE
	CARNEGIEA GIGANTEA SAGUARO
	ECHINOCEREUS ENGELMANNII HEDGEHOG CACTUS
	FEROCACTUS WISLIZENII FISHHOOK BARREL
	FOUQUIERIA SPLENDENS OCOTILLO
	HESPERALOE PARVIFLORA RED YUCCA
	OPUNTIA BASILARIS BEAVERTAIL PRICKLY PEAR
	OPUNTIA SANTA-RITA PURPLE PRICKLY PEAR
	PENIOCEREUS GREGGII NIGHT-BLOOMING CERESUS
	YUCCA BACCATA BANANA YUCCA
	YUCCA ELATA SOAPTREE YUCCA
	TREE TO BE PRESERVED IN PLACE
	SHRUB TO BE PRESERVED IN PLACE
	CACTUS TO BE PRESERVED IN PLACE

NOTE: DASHED LINE AROUND PLANT SYMBOL INDICATES SALVAGED PLANT



AREA KEY MAP
SCALE: N.T.S.

L24 OF L43



DEPARTMENT OF TRANSPORTATION/ENGINEERING DIVISION

SILVERBELL ROAD
EL CAMINO DEL CERRO TO GORET ROAD
L24 LANDSCAPE PLAN - AREA 24

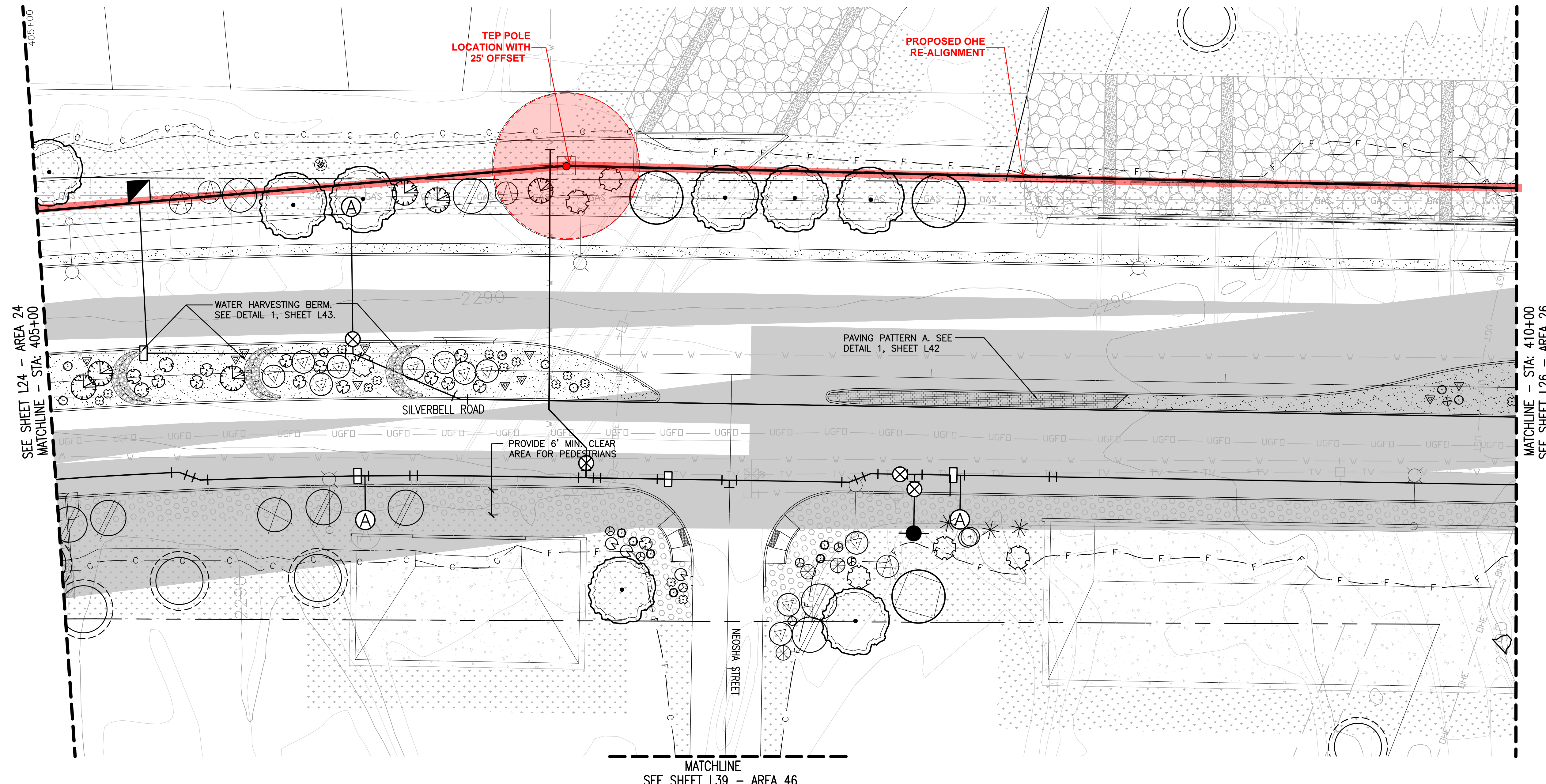
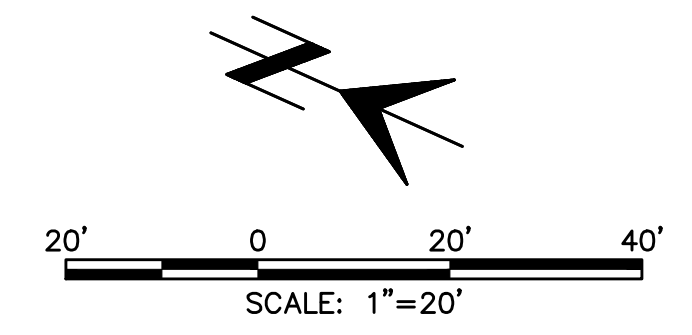
PRELIMINARY
100%
REVIEW
NOT FOR
CONSTRUCTION
OR RECORDING

Approvals	Signatory	Date	Approved
			20__
			224 OF 446
			TRANSPORTATION DIRECTOR
			REF. SCALE: 1" = 20'
			PLAN NO.

Two working days before you dig,
CALL FOR THE BLUE STAKES
1-800-782-5348

NO.	DATE	REVISION	BY	CHKD.	APPR.

DATE \$
FILE \$



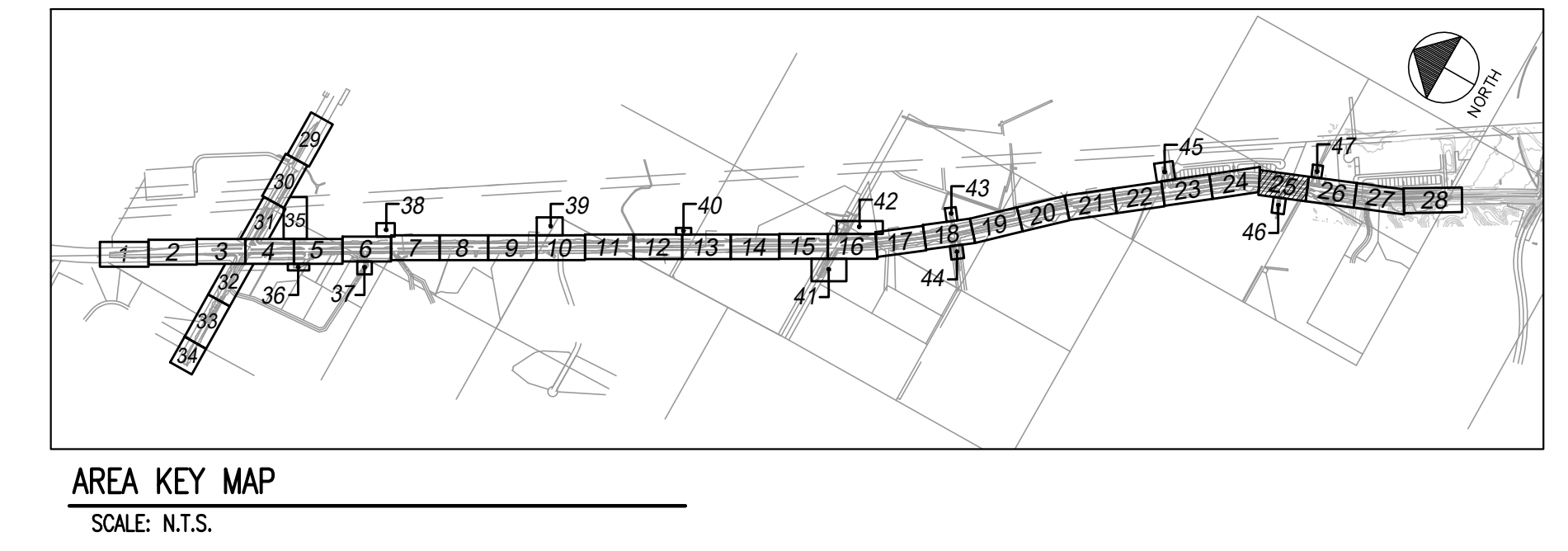
LANDSCAPE LEGEND	
	SIGHT VISIBILITY TRIANGLE
INORGANIC SURFACING	
	DECOMPOSED GRANITE SURFACING
	CONCRETE MEDIAN PAVING
	ROCK MULCH TYPE A
	SLOPE TREATMENT ROCK MULCH TYPE B
	FLEXIMAT SURFACING TO BE HYDROSEEDED WITH LOW-GROW SEED MIX
HYDROSEED MIX	
	AREA TO BE HYDROSEEDED
	AREA TO BE HYDROSEEDED WITH APPROVED LOW-GROW MIX
PROTECTION OF NATIVE VEGETATION - PRESERVATION FENCING TO BE INSTALLED DURING DEMOLITION PHASE AND IS SHOWN ON DEMOLITION PLANS FOR BIDDING AND CONSTRUCTION. PRESERVATION OF NATIVE VEGETATION IS SHOWN ON LANDSCAPE PLANS FOR REFERENCE ONLY.	

SEE SHEET LS40 TO LS43 FOR LANDSCAPE SCHEDULE AND DETAILS

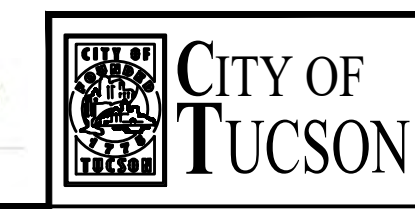
LANDSCAPE PLAN - AREA 25 - STA: 405+00 TO STA: 410+00
SCALE: 1" = 20'-0"

PLANT LEGEND	
	ACACIA CONSTRICTA WHITETHORN ACACIA
	ACACIA GREGGII CATCLAW ACACIA
	CHILOPSIS LINEARIS DESERT WILLOW
	PARKINSONIA MICROPHYLLA FOOTHILLS PALO VERDE
	PROSOPIS VELUTINA VELVET MESQUITE
	LARREA TRIDENTATA CREOSOTE BUSH
	CELTIS PALLIDA DESERT HACKBERRY
	CONDALIA WARNOCKII CONDALIA
	SIMMONDSIA CHINENSIS JOJOBA
	ZIZIPHUS OBTUSIFOLIA GRAYTHORN
	AMBROSIA DELTOIDEA TRIANGLE-LEAF BURSAGE
	ANISACANTHUS THURBERI DESERT HONESUCKLE
	ASCLEPIAS SUBULATA DESERT MILKWEEED
	CALLIANDRA ERIOPHYLLA FAIRY DUSTER
	DALEA PULCHRA BUSH DALEA
	ISOCOMA TENUISECTA BURROWEED
	JUSTITIA CALIFORNICA CHUPAROSA
	CASSIA (SENNA) WISLIZENII SHRUBBY SENNA
	PENSTEMON PARRYI PARRY PENSTEMON
	AGAVE CHRYSANTHA GOLDEN-FLOWERED AGAVE
	AGAVE PARRYI PARRY'S AGAVE
	CARNEGIEA GIGANTEA SAGUARO
	ECHINOCEREUS ENGELMANNII HEDGEHOG CACTUS
	FEROCACTUS WISLIZENI FISHHOOK BARREL
	FOUQUIERIA SPLENDENS OCOTILLO
	HESPERALOE PARVIFLORA RED YUCCA
	OPUNTIA BASILARIS BEAVERTAIL PRICKLY PEAR
	OPUNTIA SANTA-RITA PURPLE PRICKLY PEAR
	PENIOCEREUS GREGGII NIGHT-BLOOMING CERESUS
	YUCCA BACCATA BANANA YUCCA
	YUCCA ELATA SOAPTREE YUCCA
	TREE TO BE PRESERVED IN PLACE
	SHRUB TO BE PRESERVED IN PLACE
	CACTUS TO BE PRESERVED IN PLACE

NOTE: DASHED LINE AROUND PLANT SYMBOL INDICATES SALVAGED PLANT



L25 OF L43



DEPARTMENT OF TRANSPORTATION/ENGINEERING DIVISION

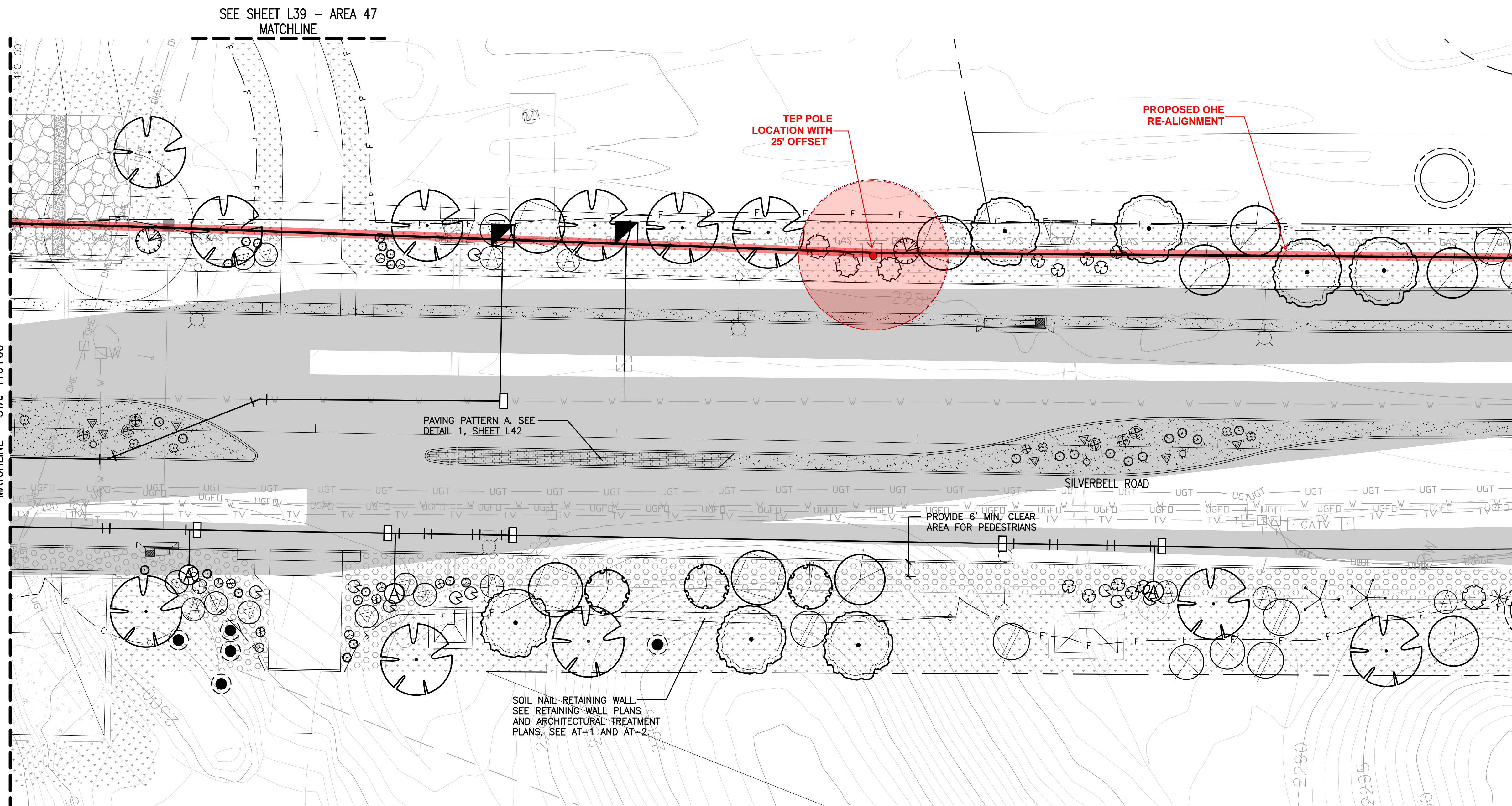
SILVERBELL ROAD
EL CAMINO DEL CERRO TO GORET ROAD
L25 LANDSCAPE PLAN - AREA 25

PRELIMINARY
100%
REVIEW
NOT FOR

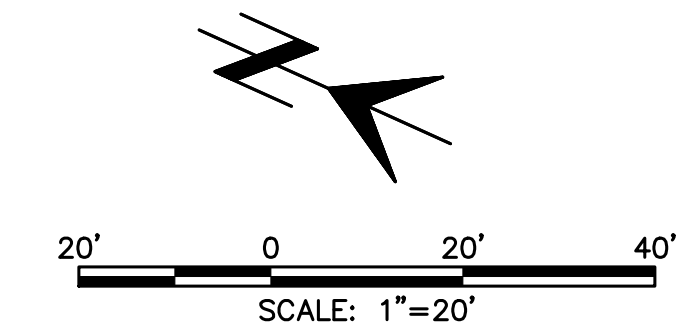
Approvals	Signatory	Date	Approved _____ 20__
			225 OF 446
			TRANSPORTATION DIRECTOR

Two working days before you dig,
CALL FOR THE BLUE STAKES
1-800-782-5348





LANDSCAPE PLAN – AREA 26 – STA: 410+00 TO STA: 415+00
SCALE: 1" = 20'-0"

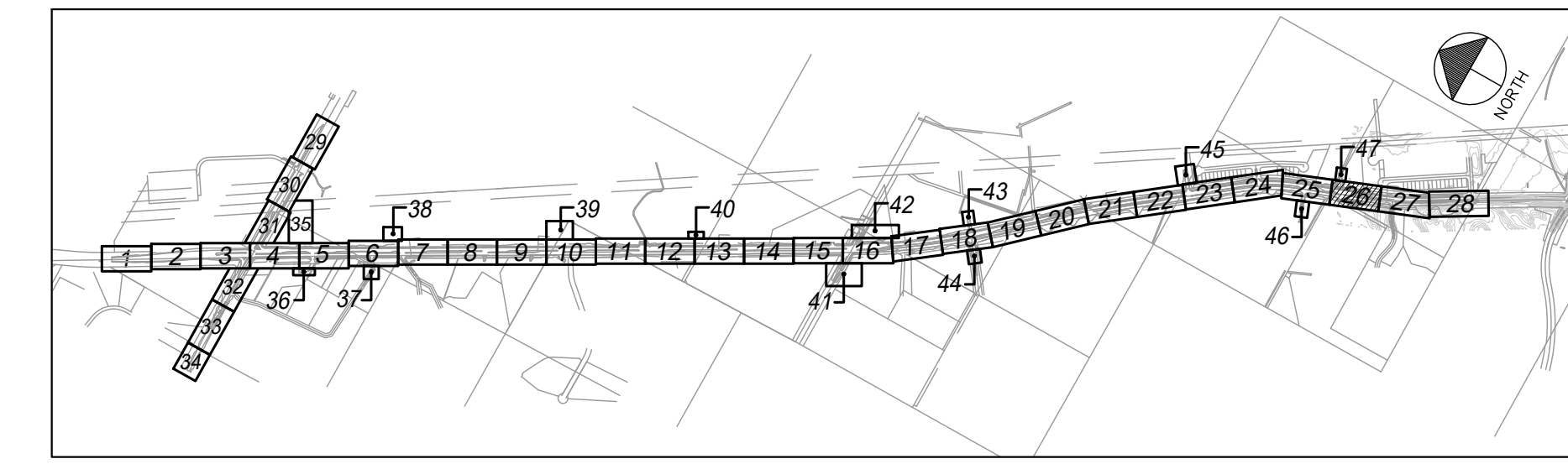


LANDSCAPE LEGEND	
	SIGHT VISIBILITY TRIANGLE
INORGANIC SURFACING	
	DECOMPOSED GRANITE SURFACING
	CONCRETE MEDIAN PAVING
	ROCK MULCH TYPE A
	ROCK MULCH TYPE B
	FLEXMAT SURFACING TO BE HYDROSEEDED WITH LOW-GROW SEED MIX
HYDROSEED MIX	
	AREA TO BE HYDROSEEDED
	AREA TO BE HYDROSEEDED WITH APPROVED LOW-GROW MIX
PROTECTION OF NATIVE VEGETATION – PRESERVATION FENCING TO BE INSTALLED DURING DEMOLITION PHASE AND IS SHOWN ON DEMOLITION PLANS FOR BIDDING AND CONSTRUCTION. PRESERVATION OF NATIVE VEGETATION IS SHOWN ON LANDSCAPE PLANS FOR REFERENCE ONLY.	

SEE SHEET LS40 TO LS43 FOR LANDSCAPE SCHEDULE AND DETAILS

PLANT LEGEND	
	ACACIA CONSTRICTA WHITETHORN ACACIA
	ACACIA GREGGII CATCLAW ACACIA
	CHILOPSIS LINEARIS DESERT WILLOW
	PARKINSONIA MICROPHYLLA FOOTHILLS PALO VERDE
	PROSOPIS VELUTINA VELVET MESQUITE
LARGE SHRUBS	
	LARREA TRIDENTATA CREOSOTE BUSH
	CELTIS PALLIDA DESERT HACKBERRY
	CONDALIA WARNOCKII CONDALIA
	SIMMONDSIA CHINENSIS JOJOBA
	ZIZIPHUS OBTUSIFOLIA GRAYTHORN
SMALL SHRUBS	
	AMBROSIA DELTOIDEA TRIANGLE-LEAF BURSAGE
	ANISACANTHUS THURBERI DESERT HONESUCKLE
	ASCLEPIAS SUBULATA DESERT MILKWEEED
	CALLIANDRA ERIOPHYLLA FAIRY DUSTER
	DALEA PULCHRA BUSH DALEA
	ISOCOMA TENUISECTA BURROWEED
	JUSTICIA CALIFORNICA CHUPAROSA
	CASSIA (SENNA) WISLIZENII SHRUBBY SENNA
	PENSTEMON PARRYI PARRY PENSTEMON
CACTI AND AGAVES	
	AGAVE CHRYSANTHA GOLDEN-FLOWERED AGAVE
	AGAVE PARRYI PARRY'S AGAVE
	CARNEGIEA GIGANTEA SAGUARO
	ECHINOCEREUS ENGELMANNII HEDGEHOG CACTUS
	FEROCACTUS WISLIZENII FISHHOOK BARREL
	FOUQUIERIA SPLENDENS OCOTILLO
	HESPERALOE PARVIFLORA RED YUCCA
	OPUNTIA BASILARIS BEAVERTAIL PRICKLY PEAR
	OPUNTIA SANTA-RITA PURPLE PRICKLY PEAR
	PENIOCIEREUS GREGGII NIGHT-BLOOMING CEREUS
	YUCCA BACCATA BANANA YUCCA
	YUCCA ELATA SOAPTREE YUCCA
	TREE TO BE PRESERVED IN PLACE
	SHRUB TO BE PRESERVED IN PLACE
	CACTUS TO BE PRESERVED IN PLACE

NOTE: DASHED LINE AROUND PLANT SYMBOL INDICATES SALVAGED PLANT



AREA KEY MAP
SCALE: N.T.S.

L26 OF L43



DEPARTMENT OF TRANSPORTATION/ENGINEERING DIVISION

SILVERBELL ROAD
EL CAMINO DEL CERRO TO GORET ROAD
L26 LANDSCAPE PLAN – AREA 26

PRELIMINARY
100%
REVIEW
NOT FOR

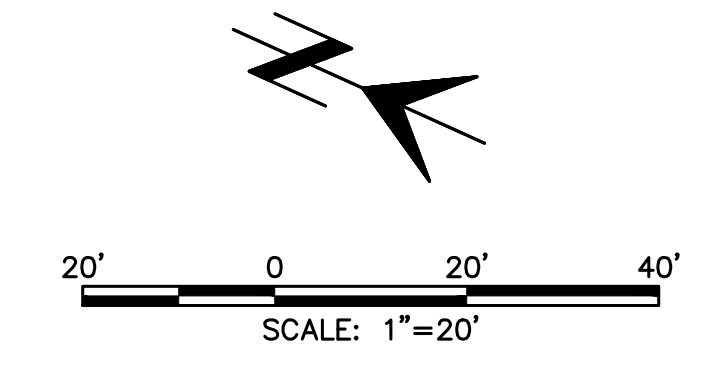
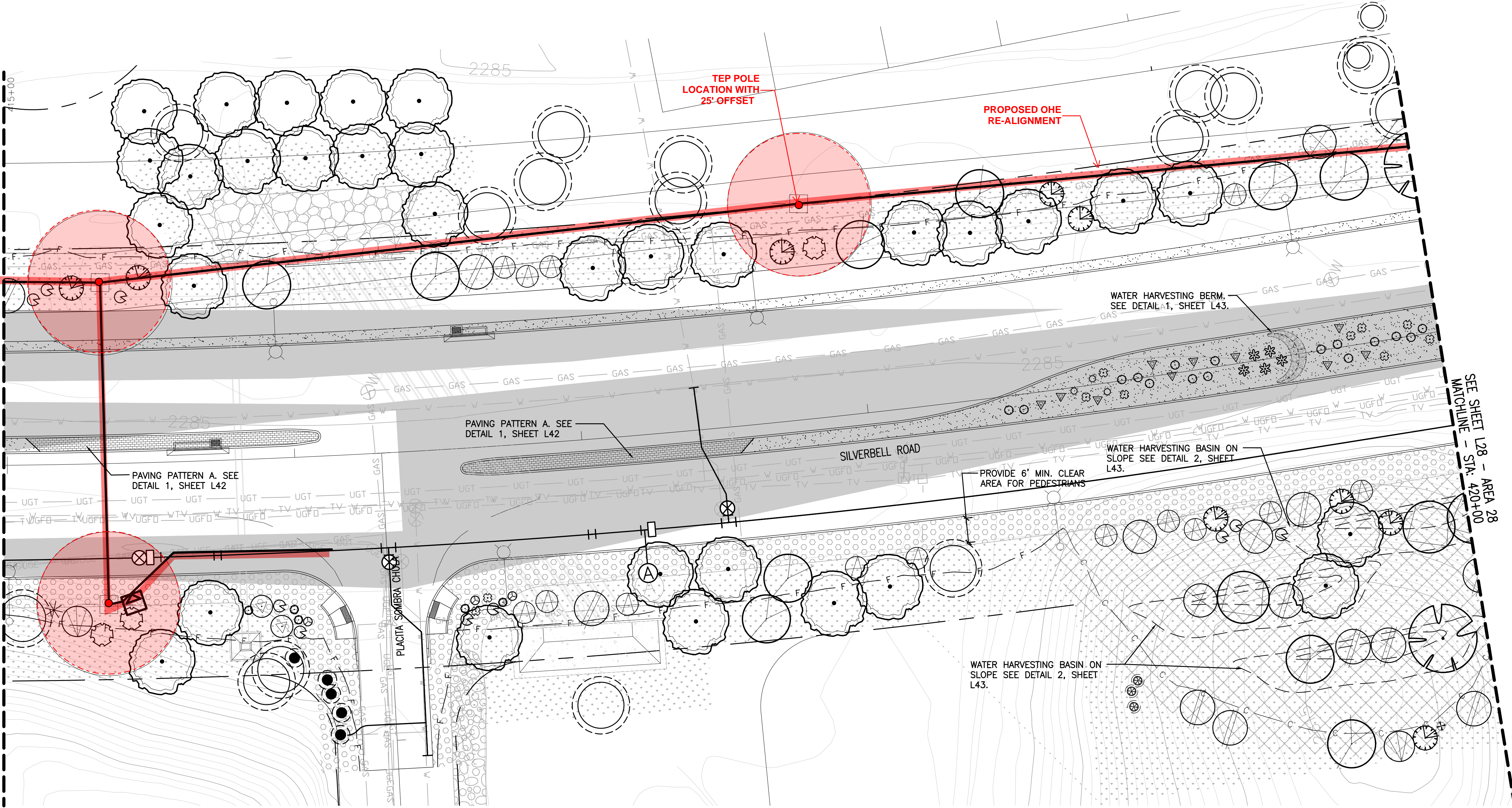
Approvals	Signatory	Date	Approved	20
				20
				20
				20

226
OF
446

TRANSPORTATION DIRECTOR

Two working days before you sign
CALL FOR THE BLUE STAKES
1-800-782-5348

McGann & Associates
Landscape Architects and Planners



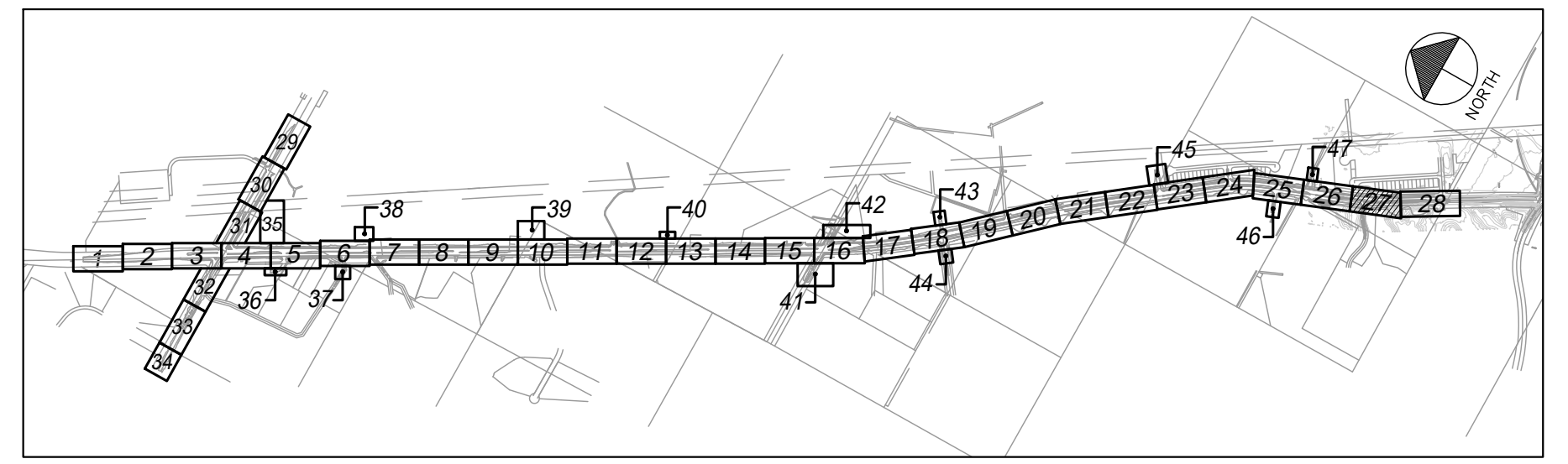
LANDSCAPE LEGEND	
	SIGHT VISIBILITY TRIANGLE
INORGANIC SURFACING	
	DECOMPOSED GRANITE SURFACING
	CONCRETE MEDIAN PAVING
	ROCK MULCH TYPE A
	SLOPE TREATMENT ROCK MULCH TYPE B
	FLEXMAT SURFACING TO BE HYDROSEEDED WITH LOW-GROW SEED MIX
HYDROSEED MIX	
	AREA TO BE HYDROSEEDED
	AREA TO BE HYDROSEEDED WITH APPROVED LOW-GROW MIX
PROTECTION OF NATIVE VEGETATION - PRESERVATION FENCING TO BE INSTALLED DURING DEMOLITION PHASE AND IS SHOWN ON DEMOLITION PLANS FOR BIDDING AND CONSTRUCTION. PRESERVATION OF NATIVE VEGETATION IS SHOWN ON LANDSCAPE PLANS FOR REFERENCE ONLY.	

SEE SHEET L28 - AREA 28 MATCHLINE - STA: 420+00
SEE SHEET L26 - AREA 26 MATCHLINE - STA: 415+00

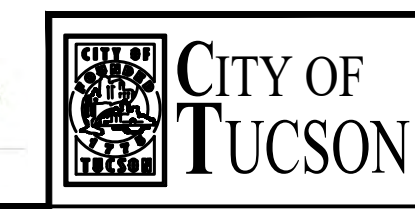
LANDSCAPE PLAN - AREA 27 - STA: 415+00 TO STA: 420+00
SCALE: 1" = 20'-0"

PLANT LEGEND		TREES	
	ACACIA CONSTRICTA WHITETHORN ACACIA		PARKINSONIA MICROPHYLLA FOOTHILLS PALO VERDE
	ACACIA GREGGII CATCLAW ACACIA		PROSOPIS VELUTINA VELVET MESQUITE
	CHILOPSIS LINEARIS DESERT WILLOW		LARGE SHRUBS
	LARREA TRIDENTATA CREOSOTE BUSH		SMALL SHRUBS
	CELTIS PALLIDA DESERT HACKBERRY		AMBROSIA DELTOIDEA TRIANGLE-LEAF BURSAGE
	CONDALIA WARNOCKII CONDALIA		ANISACANTHUS THURBERI DESERT HONESUCKLE
	SIMMONDSIA CHINENSIS JOJOBA		ASCLEPIAS SUBULATA DESERT MILKWEEED
	ZIZIPHUM OBTUSIFOLIA GRAYTHORN		CALLIANDRA ERIOPHYLLA FAIRY DUSTER
	PENSTEMON PARRYI PARRY PENSTEMON		DALEA PULCHRA BUSH DALEA
	CASSIA (SENNA) WISLIZENII SHRUBBY SENNA		ISOCOMA TENUISECTA BURROWEED
	CACTI AND ACCENTS		JUSTITIA CALIFORNICA CHUPAROSA
	AGAVE CHRYSANTHA GOLDEN-FLOWERED AGAVE		CERCARIA (SENNA) WISLIZENII SHRUBBY SENNA
	AGAVE PARRYI PARRY'S AGAVE		ECHINOEREUS ENGELMANNII HEDGEHOG CACTUS
	CARNEGIEA GIGANTEA SAGUARO		FEROCACTUS WISLIZENI FISHHOOK BARREL
	FOUQUIERIA SPLENDENS OCOTILLO		YUCCA BACCATA BANANA YUCCA
	HESPERALOE PARVIFLORA RED YUCCA		YUCCA ELATA SOAP TREE YUCCA
	OPUNTIA BASILARIS BEAVER TAIL PRICKLY PEAR		OPUNTIA SANTA-RITA PURPLE PRICKLY PEAR
	OPUNTIA SANTA-RITA PURPLE PRICKLY PEAR		PENNICERUS GREGGII NIGHT-BLOOMING CERESUS
	PENNICERUS GREGGII NIGHT-BLOOMING CERESUS		TREE TO BE PRESERVED IN PLACE
	YUCCA BACCATA BANANA YUCCA		SHRUB TO BE PRESERVED IN PLACE
	YUCCA ELATA SOAP TREE YUCCA		CACTUS TO BE PRESERVED IN PLACE

NOTE: DASHED LINE AROUND PLANT SYMBOL INDICATES SALVAGED PLANT



AREA KEY MAP
SCALE: N.T.S.



McGann & Associates
Landscape Architects and Planners

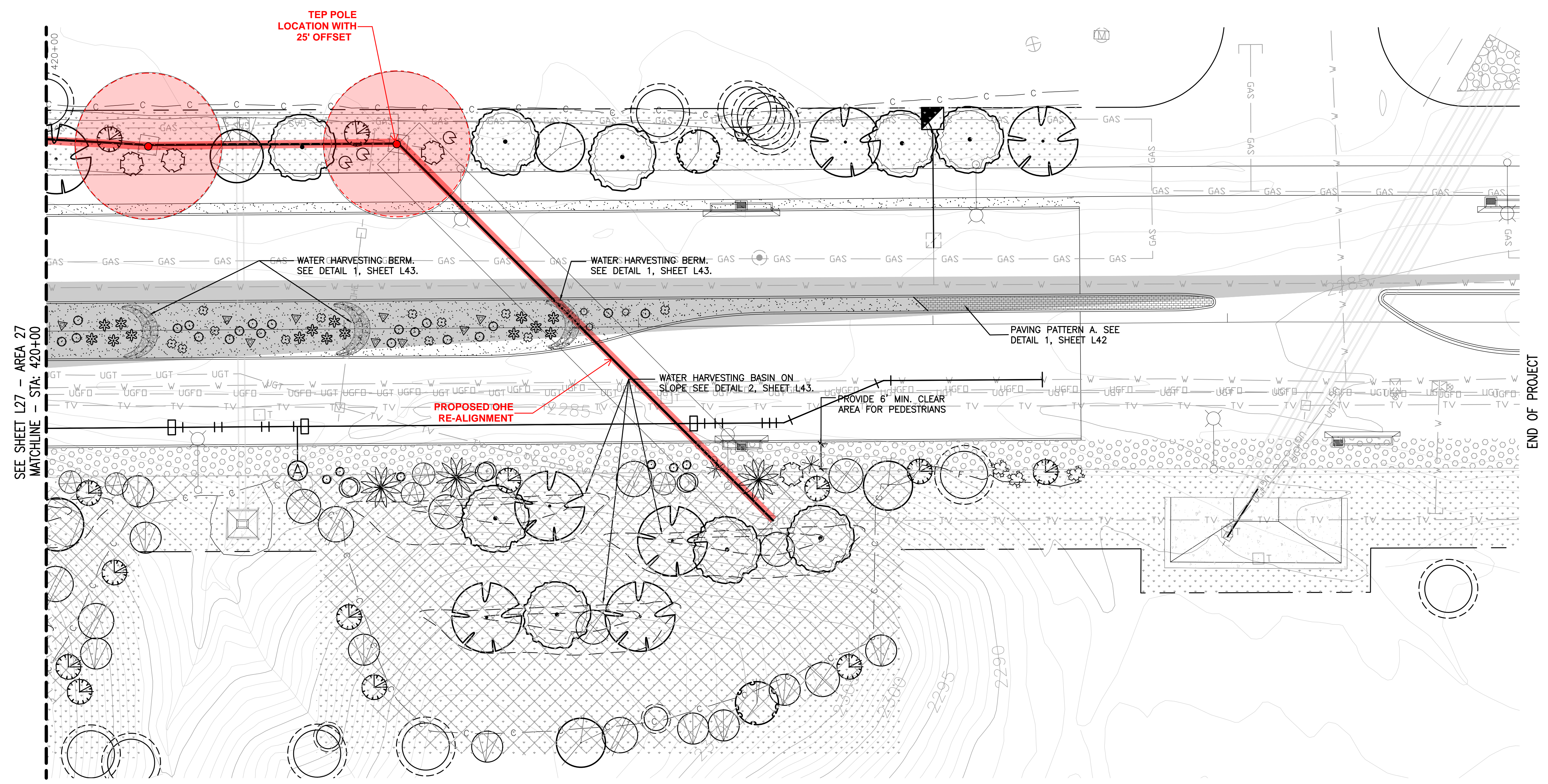
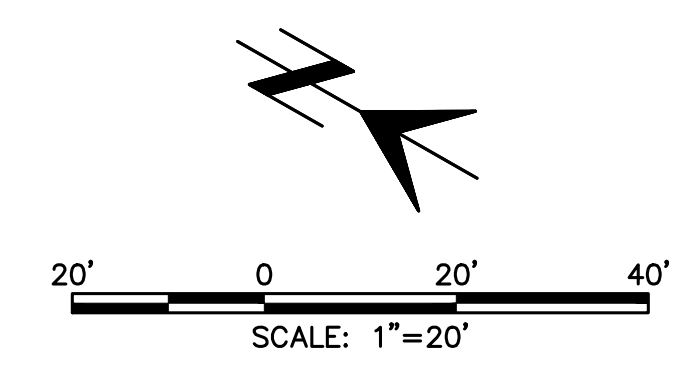
DEPARTMENT OF TRANSPORTATION/ENGINEERING DIVISION

SILVERBELL ROAD
EL CAMINO DEL CERRO TO GORET ROAD
L27 LANDSCAPE PLAN - AREA 27

PRELIMINARY
100%
REVIEW
NOT FOR

Approvals	Signatory	Date	Approved _____ 20__
			227 OF 446
			TRANSPORTATION DIRECTOR

Two working days before you dig.
CALL FOR THE BLUE STAKES
1-800-782-5348



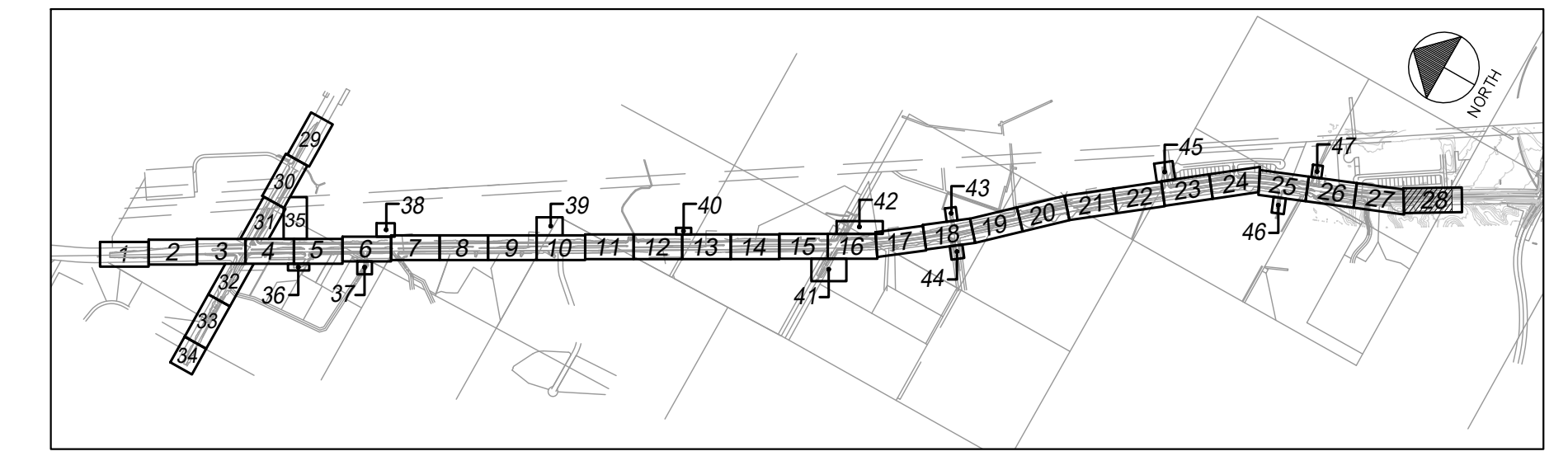
LANDSCAPE LEGEND	
	SIGHT VISIBILITY TRIANGLE
INORGANIC SURFACING	
	DECOMPOSED GRANITE SURFACING
	CONCRETE MEDIAN PAVING
	ROCK MULCH TYPE A
	SLOPE TREATMENT ROCK MULCH TYPE B
	FLEXIMAT SURFACING TO BE HYDROSEEDED WITH LOW-GROW SEED MIX
HYDROSEED MIX	
	AREA TO BE HYDROSEEDED
	AREA TO BE HYDROSEEDED WITH APPROVED LOW-GROW MIX
PROTECTION OF NATIVE VEGETATION - PRESERVATION FENCING TO BE INSTALLED DURING DEMOLITION PHASE AND IS SHOWN ON DEMOLITION PLANS FOR BIDDING AND CONSTRUCTION. PRESERVATION OF NATIVE VEGETATION IS SHOWN ON LANDSCAPE PLANS FOR REFERENCE ONLY.	

SEE SHEET LS40 TO LS43 FOR LANDSCAPE SCHEDULE AND DETAILS

LANDSCAPE PLAN - AREA 28 - STA: 420+00 TO END OF PROJECT ON SILVERBELL ROAD
SCALE: 1" = 20'-0"

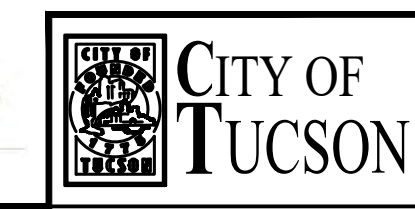
PLANT LEGEND	
	ACACIA CONSTRICTA WHITETHORN ACACIA
	ACACIA GREGGII CATCLAW ACACIA
	CHILOPSIS LINEARIS DESERT WILLOW
	PARKINSONIA MICROPHYLLA FOOTHILLS PALO VERDE
	PROSOPIS VELUTINA VELVET MESQUITE
LARGE SHRUBS	
	LARREA TRIDENTATA CREOSOTE BUSH
	CELTIS PALLIDA DESERT HACKBERRY
	CONDALIA WARNOCKII CONDALIA
	SIMMONDSIA CHINENSIS JOJOBA
	ZIZIPHUS OBTUSIFOLIA GRAYTHORN
SMALL SHRUBS	
	AMBROSIA DELTOIDEA TRIANGLE-LEAF BURSAGE
	ANISACANTHUS THURBERI DESERT HONESUCKLE
	ASCLEPIAS SUBULATA DESERT MILKWEEED
	CALLIANDRA ERIOPHYLLA FAIRY DUSTER
	DALEA PULCHRA BUSH DALEA
	ISOCOMA TENUISECTA BURROWEED
	JUSTITIA CALIFORNICA CHUPAROSA
	CASSIA (SENNA) WISLIZENII SHRUBBY SENNA
	PENSTEMON PARRYI PARRY PENSTEMON
CACTI AND ACCENTS	
	AGAVE CHRYSANTHA GOLDEN-FLOWERED AGAVE
	AGAVE PARRYI PARRY'S AGAVE
	CARNEGIA GIGANTEA SAGUARO
	ECHINOCEREUS ENGELMANNII HEDGEHOG CACTUS
	FEROCACTUS WISLIZENI FISHHOOK BARREL
	FOUQUIERIA SPLENDENS OCOTILLO
	HESPERALOE PARVIFLORA RED YUCCA
	OPUNTIA BASILARIS BEAVERTAIL PRICKLY PEAR
	OPUNTIA SANTA-RITA PURPLE PRICKLY PEAR
	PENIOCEREUS GREGGII NIGHT-BLOOMING CEREUS
	YUCCA BACCATA BANANA YUCCA
	YUCCA ELATA SOAPTREE YUCCA
	TREE TO BE PRESERVED IN PLACE
	SHRUB TO BE PRESERVED IN PLACE
	CACTUS TO BE PRESERVED IN PLACE

NOTE: DASHED LINE AROUND PLANT SYMBOL INDICATES SALVAGED PLANT



AREA KEY MAP
SCALE: N.T.S.

L28 OF L43



DEPARTMENT OF TRANSPORTATION/ENGINEERING DIVISION

SILVERBELL ROAD
EL CAMINO DEL CERRO TO GORET ROAD
L28 LANDSCAPE PLAN - AREA 28

PRELIMINARY
100%
REVIEW
NOT FOR

Approvals	Signatory	Date	Approved
			20
			228
			OF
			446
			TRANSPORTATION DIRECTOR

Two working days before you dig,
CALL FOR THE BLUE STAKES
1-800-782-5348