

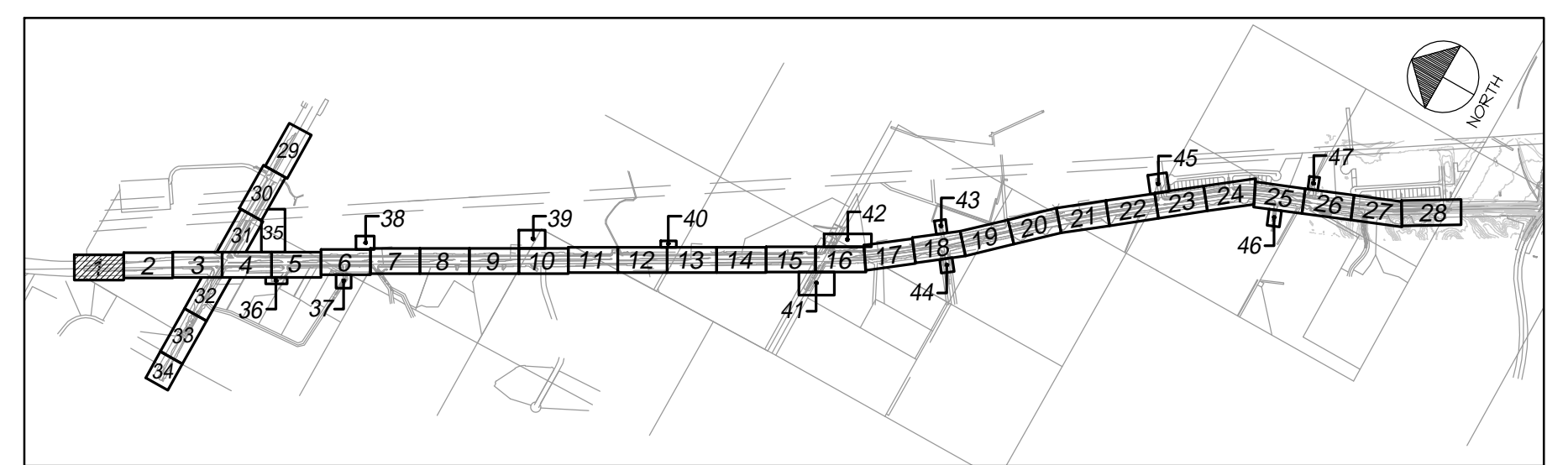
LANDSCAPE LEGEND	
	SIGHT VISIBILITY TRIANGLE
INORGANIC SURFACING	
	DECOMPOSED GRANITE SURFACING
	CONCRETE MEDIAN PAVING
	ROCK MULCH TYPE A
	SLOPE TREATMENT ROCK MULCH TYPE B
	FLEXIMAT SURFACING TO BE HYDROSEEDED WITH LOW-GROW SEED MIX
HYDROSEED MIX	
	AREA TO BE HYDROSEEDED
	AREA TO BE HYDROSEEDED WITH APPROVED LOW-GROW MIX
PROTECTION OF NATIVE VEGETATION - PRESERVATION FENCING TO BE INSTALLED DURING DEMOLITION PHASE AND IS SHOWN ON DEMOLITION PLANS FOR BIDDING AND CONSTRUCTION. PRESERVATION OF NATIVE VEGETATION IS SHOWN ON LANDSCAPE PLANS FOR REFERENCE ONLY.	

SEE SHEET LS40 TO LS43 FOR LANDSCAPE SCHEDULE AND DETAILS

LANDSCAPE PLAN - AREA 1 - BEGINNING OF PROJECT TO STA: 290+00
SCALE: 1" = 20'-0"

PLANT LEGEND		TREES	
	ACACIA CONSTRICTA WHITETHORN ACACIA		PARKINSONIA MICROPHYLLA FOOTHILLS PALO VERDE
	ACACIA GREGGII CATCLAW ACACIA		PROSOPIS VELUTINA VELVET MESQUITE
	CHILOPSIS LINEARIS DESERT WILLOW		
LARGE SHRUBS		SMALL SHRUBS	
	LARREA TRIDENTATA CREOSOTE BUSH		AMBROSIA DELTOIDEA TRIANGLE-LEAF BURSAGE
	CELTIS PALLIDA DESERT HACKBERRY		ANISACANTHUS THURBERI DESERT HONESUCKLE
	CONDALIA WARNOCKII CONDALIA		ASCLEPIAS SURBULATA DESERT MILKWEED
	SIMMONDSIA CHINENSIS JUOBA		CALANDRIA ERIOPHYLLA FAIRY DUSTER
	ZIZIPHUS OBTUSIFOLIA GRAYTHORN		DALEA PULCHRA BUSH DALEA
			ISOCOMA TENUISECTA BURROWEED
			JUSTICIA CALIFORNICA CHUPAROSA
			CASSIA (SENNA) WISLIZENII SHRUBBY SENNA
			PENSTEMON PARRYI PARRY PENSTEMON
CACTI AND ACCENTS		PRESERVED IN PLACE	
	AGAVE CHRYSANTHA GOLDEN-FLOWERED AGAVE		TREE TO BE PRESERVED IN PLACE
	AGAVE PARRYI PARRY'S AGAVE		SHRUB TO BE PRESERVED IN PLACE
	CARNEGIEA GIGANTEA SAGUARO		CACTUS TO BE PRESERVED IN PLACE
	ECHINOCEREUS ENGELMANNII HEDGEHOG CACTUS		
	FEROCACTUS WISLIZENII FISHHOOK BARREL		
	FOUQUIERIA SPLENDENS OCOTILLO		
	HESPERALOE PARVIFLORA RED YUCCA		
	OPUNTIA BASILARIS BEAVERTAIL PRICKLY PEAR		
	OPUNTIA SANTA-RITA PURPLE PRICKLY PEAR		
	PENIOCEREUS GREGGII NIGHT-BLOOMING CERESUS		
	YUCCA BACCATA BANANA YUCCA		
	YUCCA ELATA SOAPTREE YUCCA		

NOTE: DASHED LINE AROUND PLANT SYMBOL INDICATES SALVAGED PLANT



AREA KEY MAP
SCALE: N.T.S.

L1 OF L43

DEPARTMENT OF TRANSPORTATION/ENGINEERING DIVISION

SILVERBELL ROAD
EL CAMINO DEL CERRO TO GORET ROAD
L1 LANDSCAPE PLAN - AREA 1

NO.	DATE	REVISION	BY	CHKD.	APPR.

PRELIMINARY
100%
REVIEW
NOT FOR
CONSTRUCTION
OR RECORDING

Approvals	Signatory	Date	Approved
			20__

TRANSPORTATION DIRECTOR

REF. _____ SCALE: 1" = 20'

PLAN NO. _____

201
OF
446

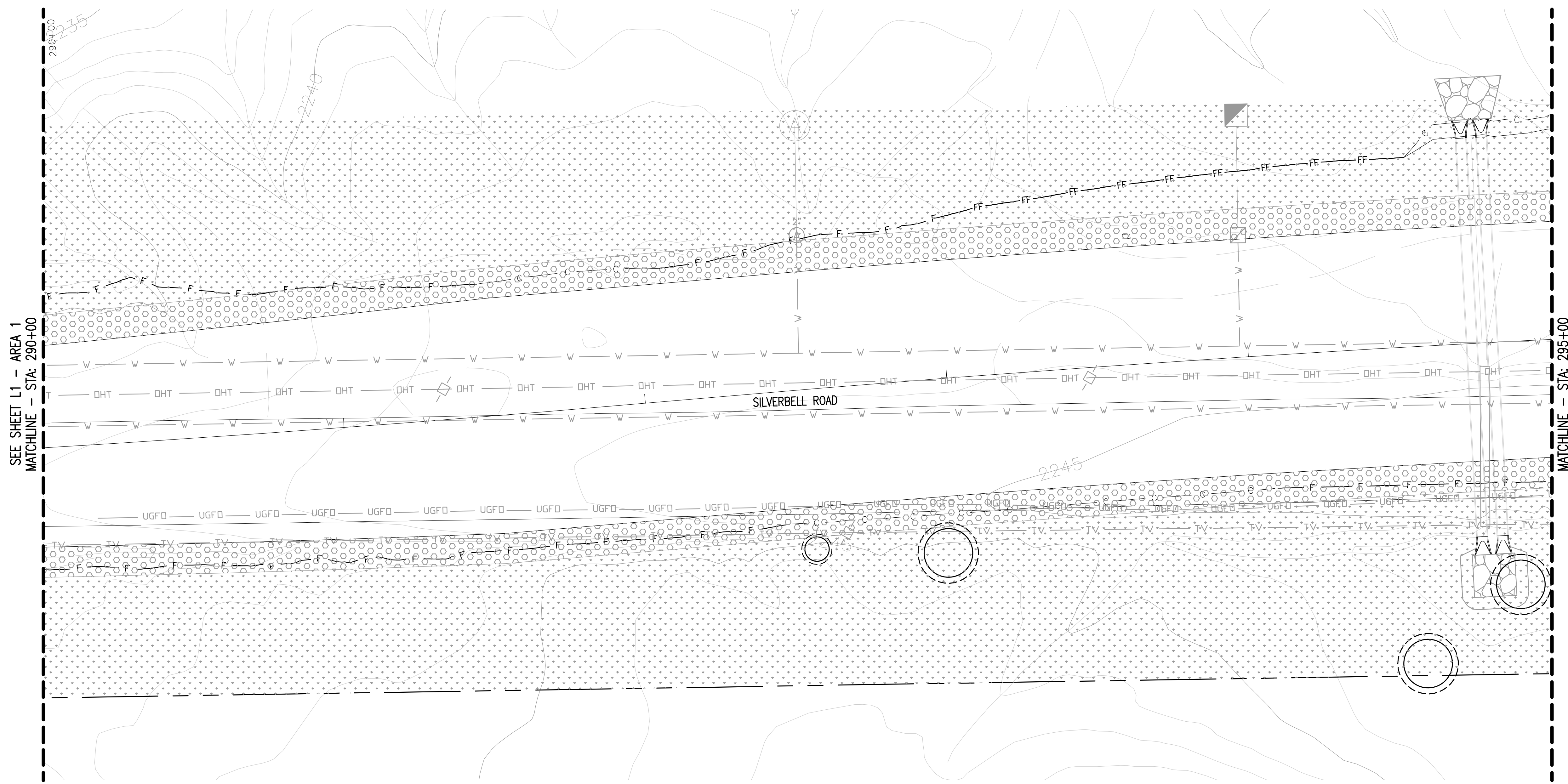
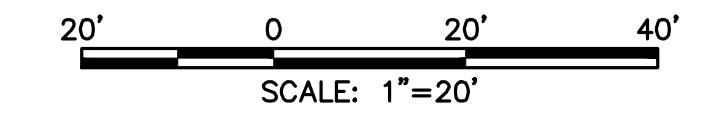
Two working days before you dig,
CALL FOR THE BLUE STAKES
1-800-782-5348

\$DATES
\$FILES

McGann & Associates
Landscape Architects and Planners
8814 North Cholla Road, Suite 210, Tucson AZ 85714



DRWN. BY P.M./C.M. 2018 DSSN. BY S.M. 2018 CHKD. BY J.S. 2018



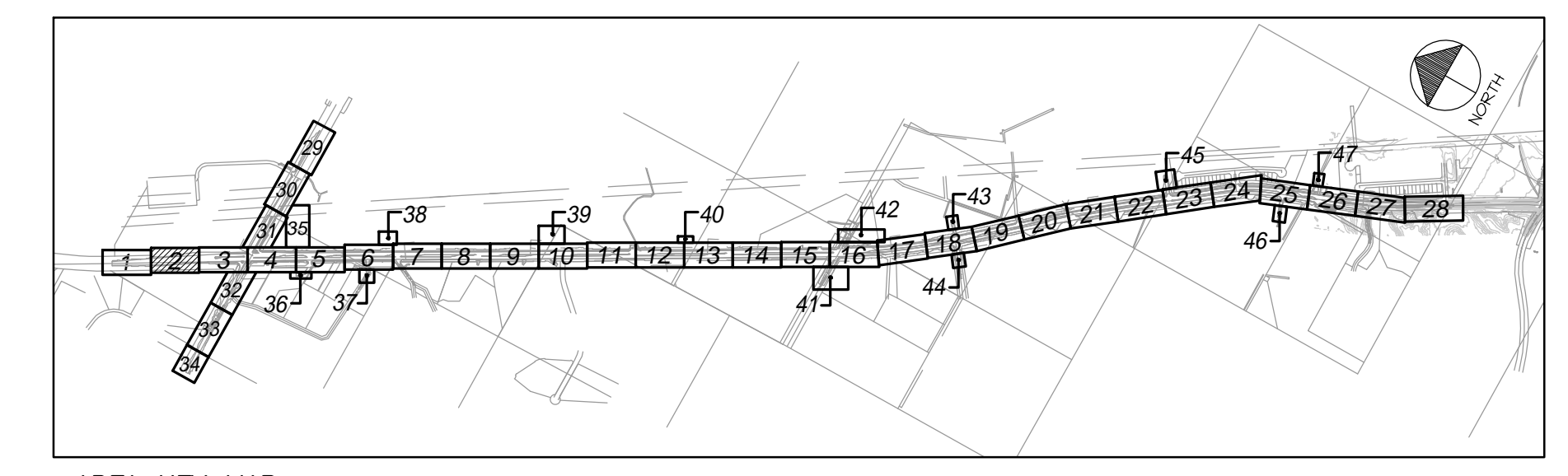
LANDSCAPE LEGEND	
	SIGHT VISIBILITY TRIANGLE
INORGANIC SURFACING	
	DECOMPOSED GRANITE SURFACING
	CONCRETE MEDIAN PAVING
	ROCK MULCH TYPE A
	ROCK MULCH TYPE B
	FLEXIMAT SURFACING TO BE HYDROSEEDED WITH LOW-GROW SEED MIX
HYDROSEED MIX	
	AREA TO BE HYDROSEEDED
	AREA TO BE HYDROSEEDED WITH APPROVED LOW-GROW MIX
PROTECTION OF NATIVE VEGETATION - PRESERVATION FENCING TO BE INSTALLED DURING DEMOLITION PHASE AND IS SHOWN ON DEMOLITION PLANS FOR BIDDING AND CONSTRUCTION. PRESERVATION OF NATIVE VEGETATION IS SHOWN ON LANDSCAPE PLANS FOR REFERENCE ONLY.	

SEE SHEET LS40 TO LS43 FOR LANDSCAPE SCHEDULE AND DETAILS

LANDSCAPE PLAN - AREA 2 - STA: 290+00 TO STA: 295+00
SCALE: 1" = 20'-0"

PLANT LEGEND		TREES	
	ACACIA CONSTRICTA WHITETHORN ACACIA		PARKINSONIA MICROPHYLLA FOOTHILLS PALO VERDE
	ACACIA GREGGII CATCLAW ACACIA		PROSOPIS VELUTINA VELVET MESQUITE
	CHILOPSIS LINEARIS DESERT WILLOW		LARREA TRIDENTATA CREOSOTE BUSH
	CELTIS PALLIDA DESERT HACKBERRY		CONDALIA WARNOCKII CONDALIA
	SIMMONDSIA CHINENSIS JUOBA		ZIZIPHUS OBTUSIFOLIA GRAYTHORN
	AMBROSIA DELTOIDEA TRIANGLE-LEAF BURSAE		ANISACANTHUS THURBERI DESERT HONESUCKLE
	ASCLEPIAS SUBULATA DESERT MILKWEED		CALIANDRA ERIOPHYLLA FARTY DUSTER
	DALEA PULCHRA BUSH DALEA		ISOCOMA TENUISECTA BURROWEED
	JUSTITIA CALIFORNICA CHUPAROSA		CASSIA (SENNA) WISLIZENII SHRUBBY SENNA
	PENSTEMON PARRYI PARRY PENSTEMON		AGAVE CHRYSANTHA GOLDEN-FLOWERED AGAVE
	AGAVE PARRYI PARRY'S AGAVE		CARNEGIEA GIGANTEA SAGUARO
	ECHINOEREUS ENGELMANNII HEDGEHOG CACTUS		FOUQUIERIA SPLENDENS OCOTILLO
	HESPERALOE PARVIFLORA RED YUCCA		OPUNTIA BASILARIS BEAVERTAIL PRICKLY PEAR
	OPUNTIA SANTA-RITA PURPLE PRICKLY PEAR		PENIOCIEREUS GREGGII NIGHT-BLOOMING CERESUS
	YUCCA BACCATA BANANA YUCCA		YUCCA ELATA SOAPTREE YUCCA
	TREE TO BE PRESERVED IN PLACE		SHRUB TO BE PRESERVED IN PLACE
	CACTUS TO BE PRESERVED IN PLACE		

NOTE: DASHED LINE AROUND PLANT SYMBOL INDICATES SALVAGED PLANT



AREA KEY MAP
SCALE: N.T.S.

L2 OF L43



DEPARTMENT OF TRANSPORTATION/ENGINEERING DIVISION

SILVERBELL ROAD
EL CAMINO DEL CERRO TO GORET ROAD
L2 LANDSCAPE PLAN - AREA 2

NO.	DATE	REVISION	BY	CHKD.	APPR.

PRELIMINARY
100%
REVIEW
NOT FOR
CONSTRUCTION
OR RECORDING

Approvals	Signatory	Date	Approved
			20

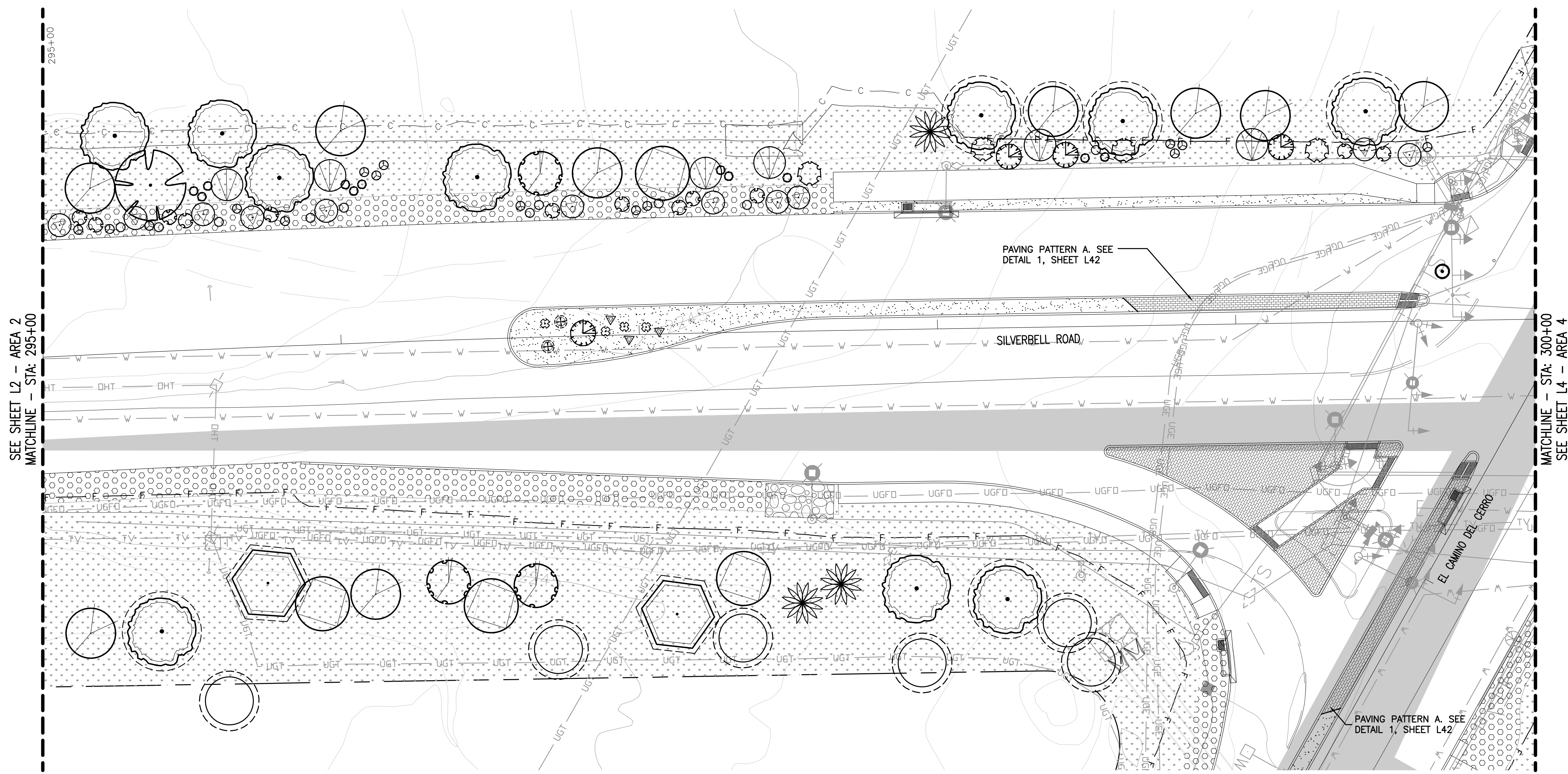
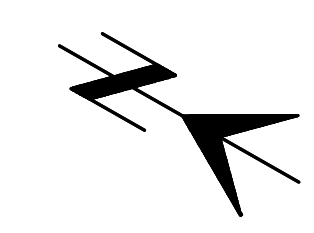
TRANSPORTATION DIRECTOR

REF. SCALE: 1" = 20'

PLAN NO. 202 OF 446

Two working days before you dig,
CALL FOR THE BLUE STAKES
1-800-782-5348

\$\$\$DATE\$\$\$
\$\$\$FILE\$\$\$



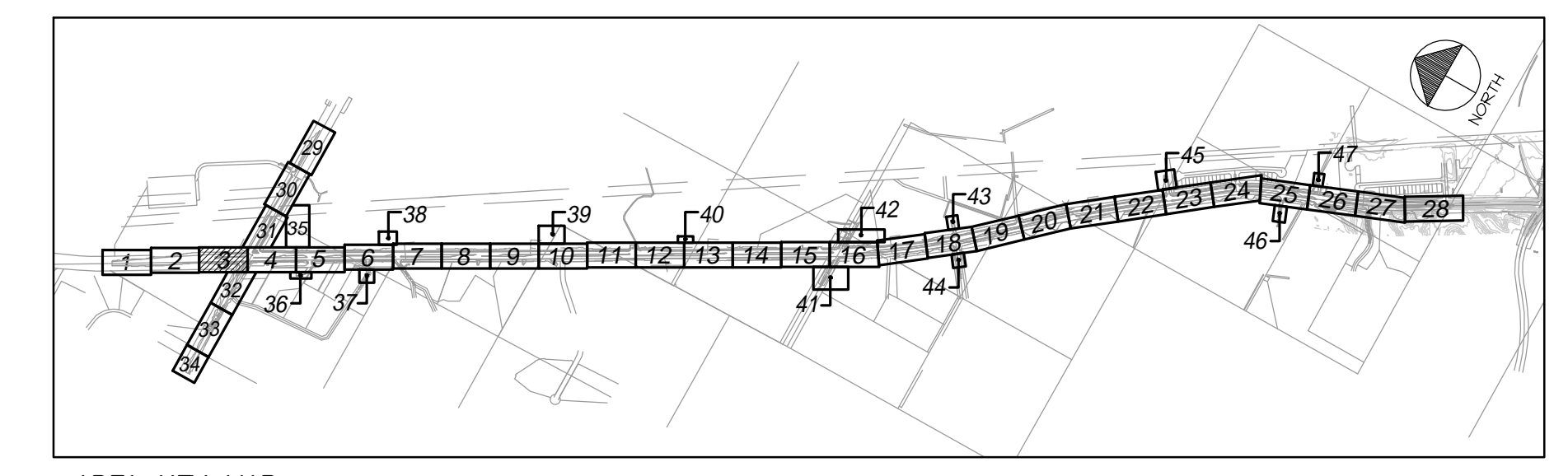
LANDSCAPE LEGEND	
SCALE: 1"=20'	
SIGHT VISIBILITY TRIANGLE	
INORGANIC SURFACING	
	DECOMPOSED GRANITE SURFACING
	CONCRETE MEDIAN PAVING
	ROCK MULCH TYPE A
	ROCK MULCH TYPE B
	FLEXIMAT SURFACING TO BE HYDROSEEDED WITH LOW-GROW SEED MIX
HYDROSEED MIX	
	AREA TO BE HYDROSEEDED
	AREA TO BE HYDROSEEDED WITH APPROVED LOW-GROW MIX
PROTECTION OF NATIVE VEGETATION - PRESERVATION FENCING TO BE INSTALLED DURING DEMOLITION PHASE AND IS SHOWN ON DEMOLITION PLANS FOR BIDDING AND CONSTRUCTION. PRESERVATION OF NATIVE VEGETATION IS SHOWN ON LANDSCAPE PLANS FOR REFERENCE ONLY.	

SEE SHEET LS40 TO LS43 FOR LANDSCAPE SCHEDULE AND DETAILS

LANDSCAPE PLAN - AREA 3 - STA: 295+00 TO STA: 300+00
SCALE: 1" = 20'-0"

PLANT LEGEND		TREES	
	ACACIA CONSTRICTA WHITETHORN ACACIA		PARKINSONIA MICROPHYLLA FOOTHILLS PALO VERDE
	ACACIA GREGGII CATCLAW ACACIA		PROSOPIS VELUTINA VELVET MESQUITE
	CHILOPSIS LINEARIS DESERT WILLOW		
	LARREA TRIDENTATA CREOSOTE BUSH		
	CELTIIS PALLIDA DESERT HACKBERRY		
	CONDALIA WARNOCKII CONDALIA		
	SIMMONDSIA CHINENSIS JOJOBA		
	ZIZIPHUS OBTUSIFOLIA GRAYTHORN		
	AMBROSIA DELTOIDEA TRIANGLE-LEAF BURSAGE		
	ANISACANTHUS THURBERI DESERT HONESUCKLE		
	ASCLEPIAS SUBULATA DESERT MILKWEED		
	CALANDRIA ERIOPHYLLA FAIRY DUSTER		
	DALEA PULCHRA BUSH DALEA		
	ISOCOMA TENUISECTA BURROWEED		
	JUSTICIA CALIFORNICA CHUPAROSA		
	CASSIA (SENNA) WISLIZENII SHRUBBY SENNA		
	PENSTEMON PARRYI PARRY PENSTEMON		
	AGAVE CHRYSANTHA GOLDEN-FLOWERED AGAVE		
	AGAVE PARRYI PARRY'S AGAVE		
	CARNEGIEA GIGANTEA SAGUARO		
	ECHINOCEREUS ENGELMANNII HEDGEHOG CACTUS		
	FEROCACTUS WISLIZENII FISHHOOK BARREL		
	FOUQUIERIA SPLENDENS OCOTILLO		
	HESPERALOE PARVIFLORA RED YUCCA		
	OPUNTIA BASILARIS BEAVERTAIL PRICKLY PEAR		
	OPUNTIA SANTA-RITA PURPLE PRICKLY PEAR		
	PENIOCIEREUS GREGGII NIGHT-BLOOMING CERESUS		
	YUCCA BACCATA BANANA YUCCA		
	YUCCA ELATA SOAPTREE YUCCA		
	TREE TO BE PRESERVED IN PLACE		SHRUB TO BE PRESERVED IN PLACE
	CACTUS TO BE PRESERVED IN PLACE		

NOTE: DASHED LINE AROUND PLANT SYMBOL INDICATES SALVAGED PLANT



AREA KEY MAP
SCALE: N.T.S.

L3 OF L43

McGann & Associates
Landscape Architects and Planners
8814 North Oracle Road, Suite 210, Tucson AZ 85704



DEPARTMENT OF TRANSPORTATION/ENGINEERING DIVISION

SILVERBELL ROAD
EL CAMINO DEL CERRO TO GORET ROAD
L3 LANDSCAPE PLAN - AREA 3

NO.	DATE	REVISION	BY	CHKD.	APPR.

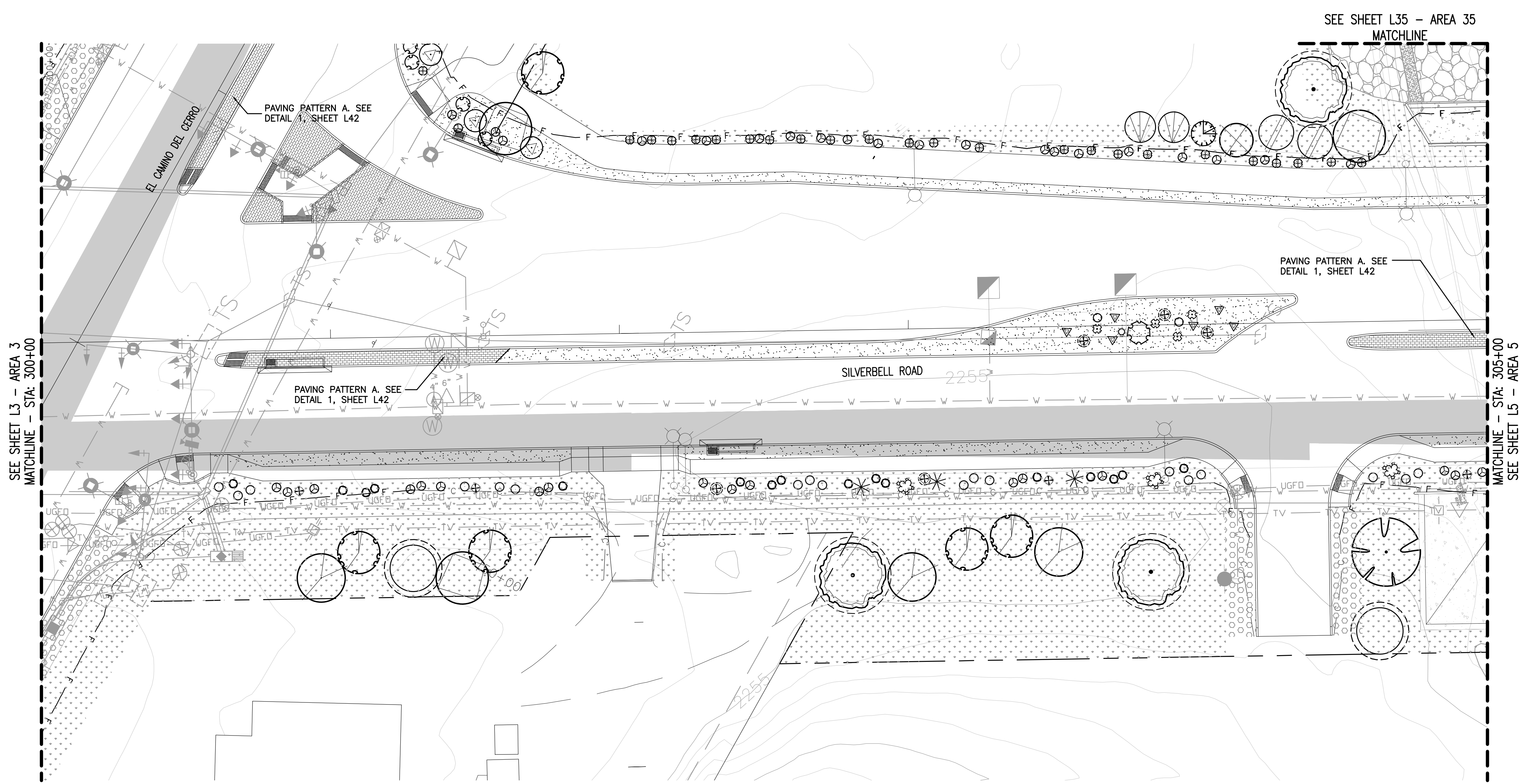
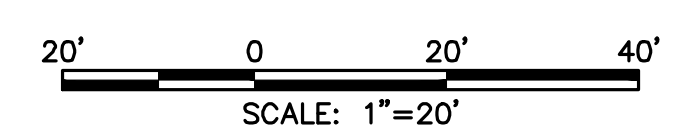
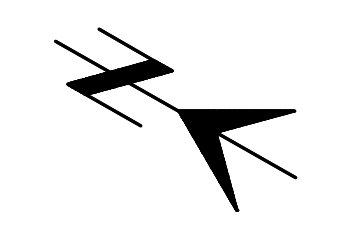
PRELIMINARY
100%
REVIEW
NOT FOR
CONSTRUCTION
OR RECORDING

Approvals	Signatory	Date

Approved _____ 20__ 203
OF
446
TRANSPORTATION DIRECTOR
REF. _____ SCALE: 1" = 20'
PLAN NO. _____

Two working days before you dig,
CALL FOR THE BLUE STAKES
1-800-782-5348

\$DATE\$
\$FILE\$



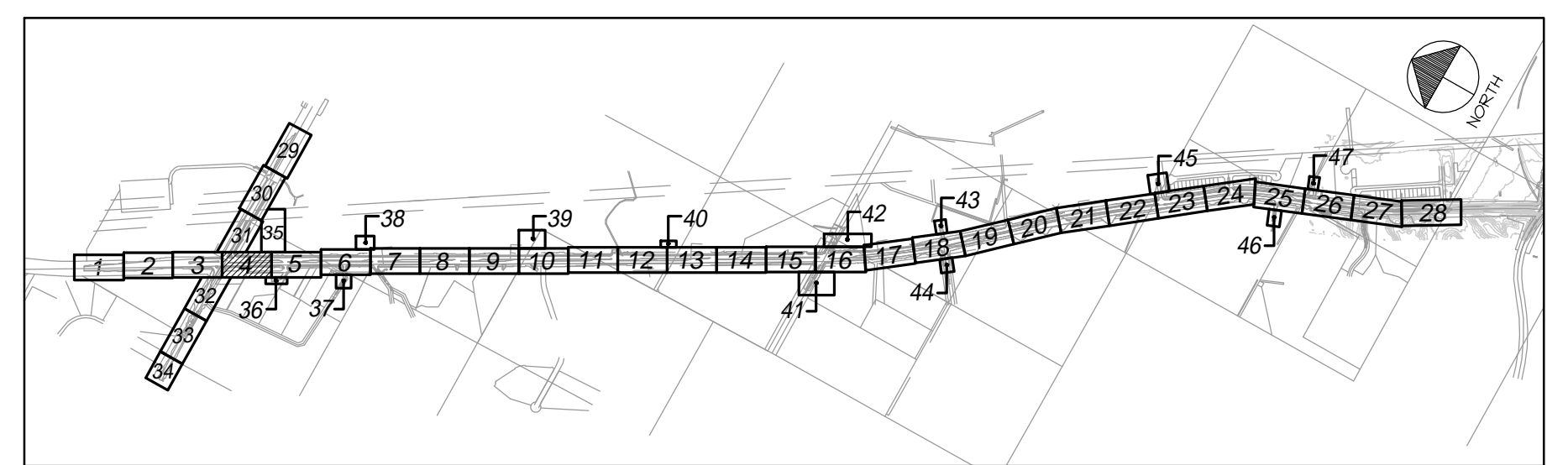
LANDSCAPE LEGEND	
	SIGHT VISIBILITY TRIANGLE
INORGANIC SURFACING	
	DECOMPOSED GRANITE SURFACING
	CONCRETE MEDIAN PAVING
	ROCK MULCH TYPE A
	SLOPE TREATMENT ROCK MULCH TYPE B
	FLEXIMAT SURFACING TO BE HYDROSEEDED WITH LOW-GROW SEED MIX
HYDROSEED MIX	
	AREA TO BE HYDROSEEDED
	AREA TO BE HYDROSEEDED WITH APPROVED LOW-GROW MIX
PROTECTION OF NATIVE VEGETATION - PRESERVATION FENCING TO BE INSTALLED DURING DEMOLITION PHASE AND IS SHOWN ON DEMOLITION PLANS FOR BIDDING AND CONSTRUCTION. PRESERVATION OF NATIVE VEGETATION IS SHOWN ON LANDSCAPE PLANS FOR REFERENCE ONLY.	

SEE SHEET LS40 TO LS43 FOR LANDSCAPE SCHEDULE AND DETAILS

LANDSCAPE PLAN - AREA 4 - STA: 300+00 TO STA: 305+00
SCALE: 1" = 20'-0"

PLANT LEGEND	
	ACACIA CONSTRICTA WHITETHORN ACACIA
	ACACIA GREGGII CATCLAW ACACIA
	CHILOPSIS LINEARIS DESERT WILLOW
	PARKINSONIA MICROPHYLLA FOOTHILLS PALO VERDE
	PROSOPIS VELITINA VELVET MESQUITE
LARGE SHRUBS	
	LARREA TRIDENTATA CREOSOTE BUSH
	CELTIS PALLIDA DESERT HACKBERRY
	CONDALIA WARNOCKII CONDALIA
	SIMMONDSIA CHINENSIS JOJOBA
	ZIZIPHUS OBTUSIFOLIA GRAYTHORN
SMALL SHRUBS	
	AMBROSIA DELTOIDEA TRIANGLE-LEAF BURSAE
	ANISACANTHUS THURBERI DESERT HONESUCKLE
	ASCLEPIAS SUBULATA DESERT MILKWEED
	CALLIANDRA ERIOPHYLLA FAIRY DUSTER
	DALEA PULCHRA BUSH DALEA
	ISOCOMA TENUISECTA BURROWEED
	JUSTITIA CALIFORNICA CHUPAROSA
	CASSIA (SENNA) WISLIZENII SHRUBBY SENNA
	PENSTEMON PARRYI PARRY PENSTEMON
CACTI AND ACCENTS	
	AGAVE CHRYSANTHA GOLDEN-FLOWERED AGAVE
	AGAVE PARRYI PARRY'S AGAVE
	CARNEGIEA GIGANTEA SAGUARO
	ECHINOCEREUS ENGELMANNII HEDGEHOG CACTUS
	FEROCACTUS WISLIZENII FISHHOOK BARREL
	FOUQUIERIA SPLENDENS OCOTILLO
	HESPERALOE PARVIFLORA RED YUCCA
	OPUNTIA BASILARIS BEAVERTAIL PRICKLY PEAR
	OPUNTIA SANTA-RITA PURPLE PRICKLY PEAR
	PENIOCIEREUS GREGGII NIGHT BLOOMING CERES
	YUCCA BACCATA BANANA YUCCA
	YUCCA ELATA SOAPTREE YUCCA
PRESERVED IN PLACE	
	TREE TO BE PRESERVED IN PLACE
	SHRUB TO BE PRESERVED IN PLACE
	CACTUS TO BE PRESERVED IN PLACE

NOTE: DASHED LINE AROUND PLANT SYMBOL INDICATES SALVAGED PLANT



L4 OF L43



DEPARTMENT OF TRANSPORTATION/ENGINEERING DIVISION

SILVERBELL ROAD
EL CAMINO DEL CERRO TO GORET ROAD
L4 LANDSCAPE PLAN - AREA 4

NO.	DATE	REVISION	BY	CHKD.	APPR.

PRELIMINARY
100%
REVIEW
NOT FOR
CONSTRUCTION
OR RECORDING

Approvals	Signatory	Date

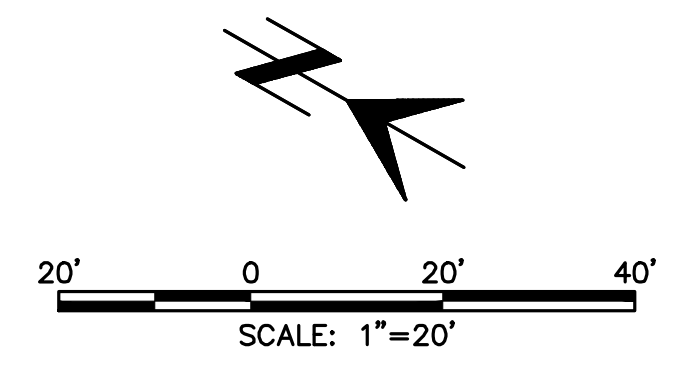
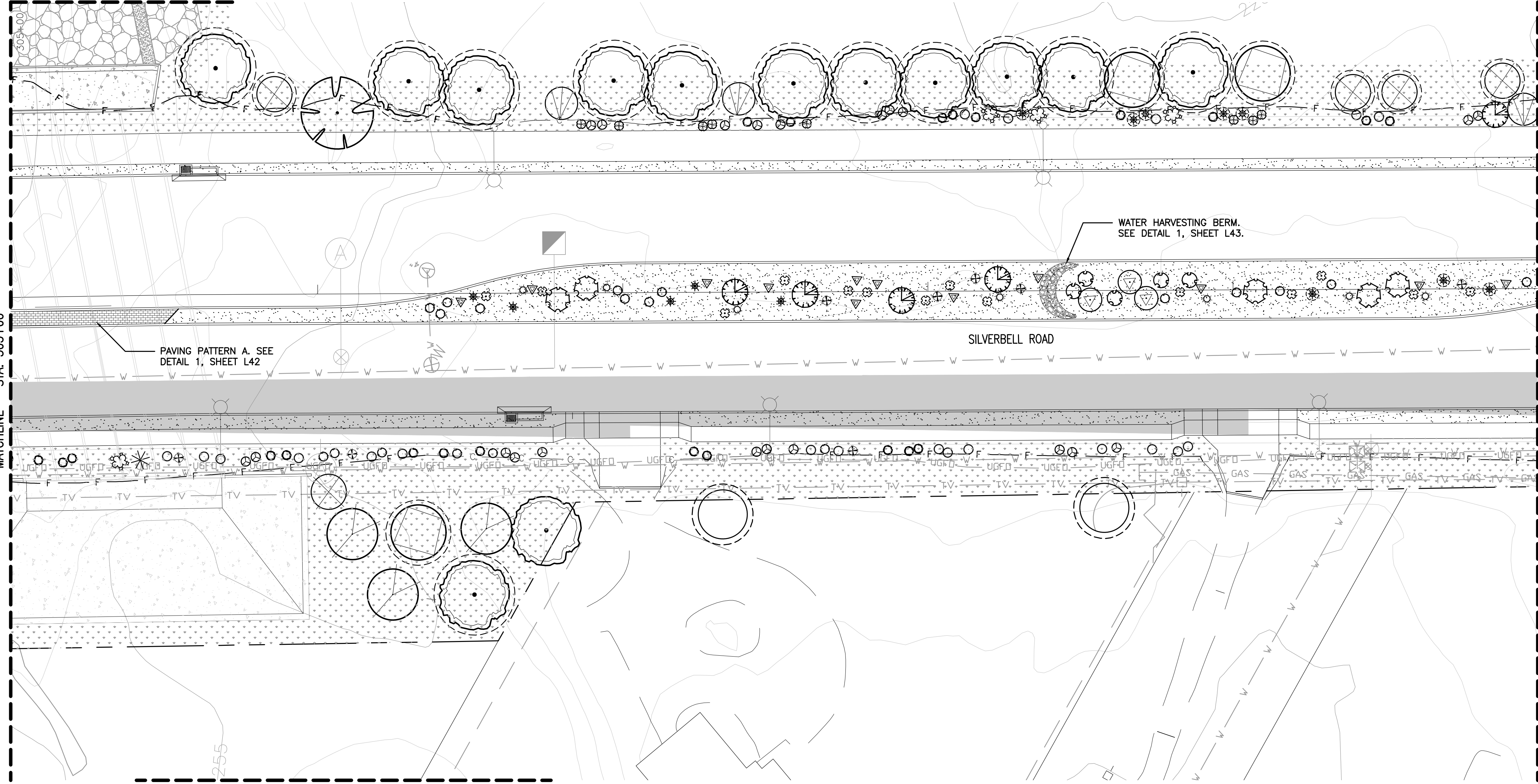
Approved _____ 20__ 204 OF 446
TRANSPORTATION DIRECTOR
REF. _____ SCALE: 1" = 20'
PLAN NO. _____

Two working days before you dig,
CALL FOR THE BLUE STAKES
1-800-782-5348

DATE \$
FILE \$

McGann & Associates
Landscape Architects and Planners
8814 North Oracle Road, Suite 210, Tucson AZ 85704

SEE SHEET L35 - AREA 35
MATCHLINE



LANDSCAPE LEGEND	
	SIGHT VISIBILITY TRIANGLE
INORGANIC SURFACING	
	DECOMPOSED GRANITE SURFACING
	CONCRETE MEDIAN PAVING
	ROCK MULCH TYPE A
	ROCK MULCH TYPE B
	FLEXIMAT SURFACING TO BE HYDROSEEDED WITH LOW-GROW SEED MIX
HYDROSEED MIX	
	AREA TO BE HYDROSEEDED
	AREA TO BE HYDROSEEDED WITH APPROVED LOW-GROW MIX
PROTECTION OF NATIVE VEGETATION - PRESERVATION FENCING TO BE INSTALLED DURING DEMOLITION PHASE AND IS SHOWN ON DEMOLITION PLANS FOR BIDDING AND CONSTRUCTION. PRESERVATION OF NATIVE VEGETATION IS SHOWN ON LANDSCAPE PLANS FOR REFERENCE ONLY.	

SEE SHEET LS40 TO LS43 FOR LANDSCAPE SCHEDULE AND DETAILS

SEE SHEET L4 - AREA 4
MATCHLINE - STA: 305+00

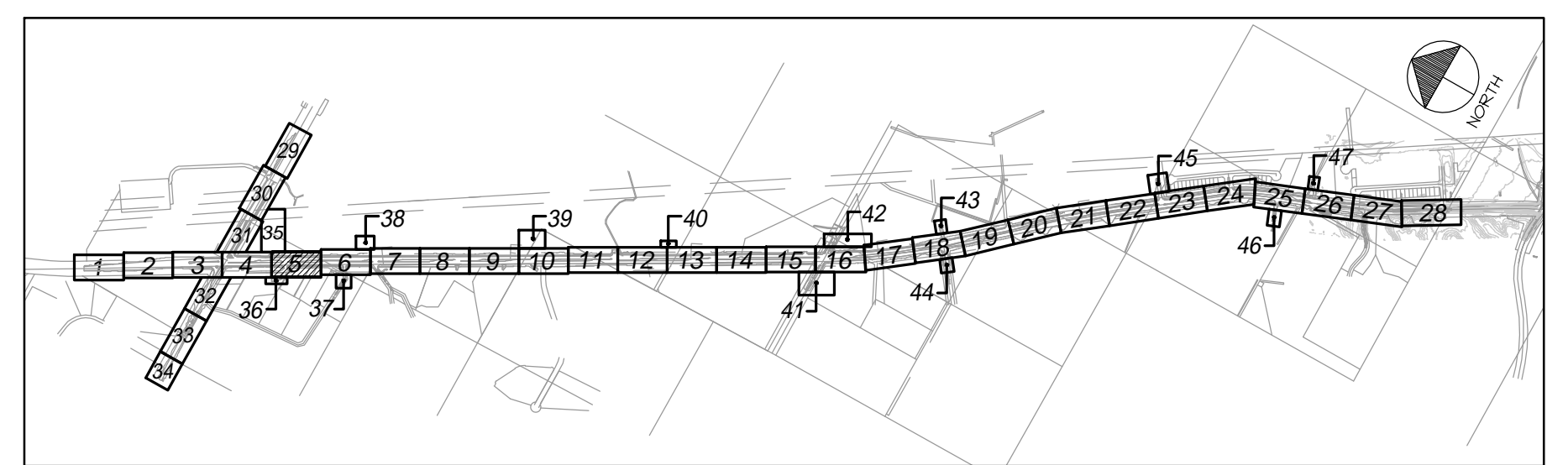
MATCHLINE - STA: 310+00
SEE SHEET L6 - AREA 6

MATCHLINE
SEE SHEET L35 - AREA 36

LANDSCAPE PLAN - AREA 5 - STA: 305+00 TO STA: 310+00
SCALE: 1" = 20'-0"

PLANT LEGEND		TREES	
	ACACIA CONSTRICTA WHITETHORN ACACIA		PARKINSONIA MICROPHYLLA FOOTHILLS PALO VERDE
	ACACIA GREGGII CATCLAW ACACIA		PROSOPIS VELUTINA VELVET MESQUITE
	CHILOPSIS LINEARIS DESERT WILLOW		
	LARREA TRIDENTATA CREOSOTE BUSH		CELTIS PALLIDA DESERT HACKBERRY
	ANISACANTHUS THURBERI DESERT HONESUCKLE		CONDALIA WARNOCKII CONDALIA
	ASCLEPIAS SUBULATA DESERT MILKWEED		SIMMONDSIA CHINENSIS JUJOBA
	CALANDRIA ERIOPHYLLA FAIRY DUSTER		ZIZIPHUS OBTUSIFOLIA GRAYTHORN
	DALEA PULCHRA BUSH DALEA		
	ISOCOMA TENUISECTA BURROWEED		
	JUSTICIA CALIFORNICA CHUPAROSA		
	CASSIA (SENNA) WISLIZENII SHRUBBY SENNA		
	PENSTEMON PARRYI PARRY PENSTEMON		
	AMBROSIA DELTOIDEA TRIANGLE-LEAF BURSAGE		AGAVE CHRYSANTHA GOLDEN-FLOWERED AGAVE
	OPUNTIA BASILARIS BEAVERTAIL PRICKLY PEAR		OPUNTIA SANTA-RITA PURPLE PRICKLY PEAR
	OPUNTIA SANTA-RITA PURPLE PRICKLY PEAR		PENIOCIEREUS GREGGII NIGHT BLOOMING CERESUS
	CARNEGIEA GIGANTEA SAGUARO		YUCCA BACCATA BANANA YUCCA
	ECHINOCEREUS ENGELMANNII HEDGEHOG CACTUS		YUCCA ELATA SOAPTREE YUCCA
	FOUQUIERIA SPLENDENS OCOTILLO		TREE TO BE PRESERVED IN PLACE
	AGAVE PARRYI PARRY'S AGAVE		SHRUB TO BE PRESERVED IN PLACE
	HESPERALOE PARVIFLORA RED YUCCA		CACTUS TO BE PRESERVED IN PLACE

NOTE: DASHED LINE AROUND PLANT SYMBOL INDICATES SALVAGED PLANT



AREA KEY MAP
SCALE: N.T.S.

L5 OF L43



DEPARTMENT OF TRANSPORTATION/ENGINEERING DIVISION

**SILVERBELL ROAD
EL CAMINO DEL CERRO TO GORET ROAD
L5 LANDSCAPE PLAN - AREA 5**

NO.	DATE	REVISION	BY	CHKD.	APPR.

PRELIMINARY
100%
REVIEW
NOT FOR
CONSTRUCTION
OR RECORDING

Approvals	Signatory	Date	Approved	20

TRANSPORTATION DIRECTOR

REF. SCALE: 1" = 20'

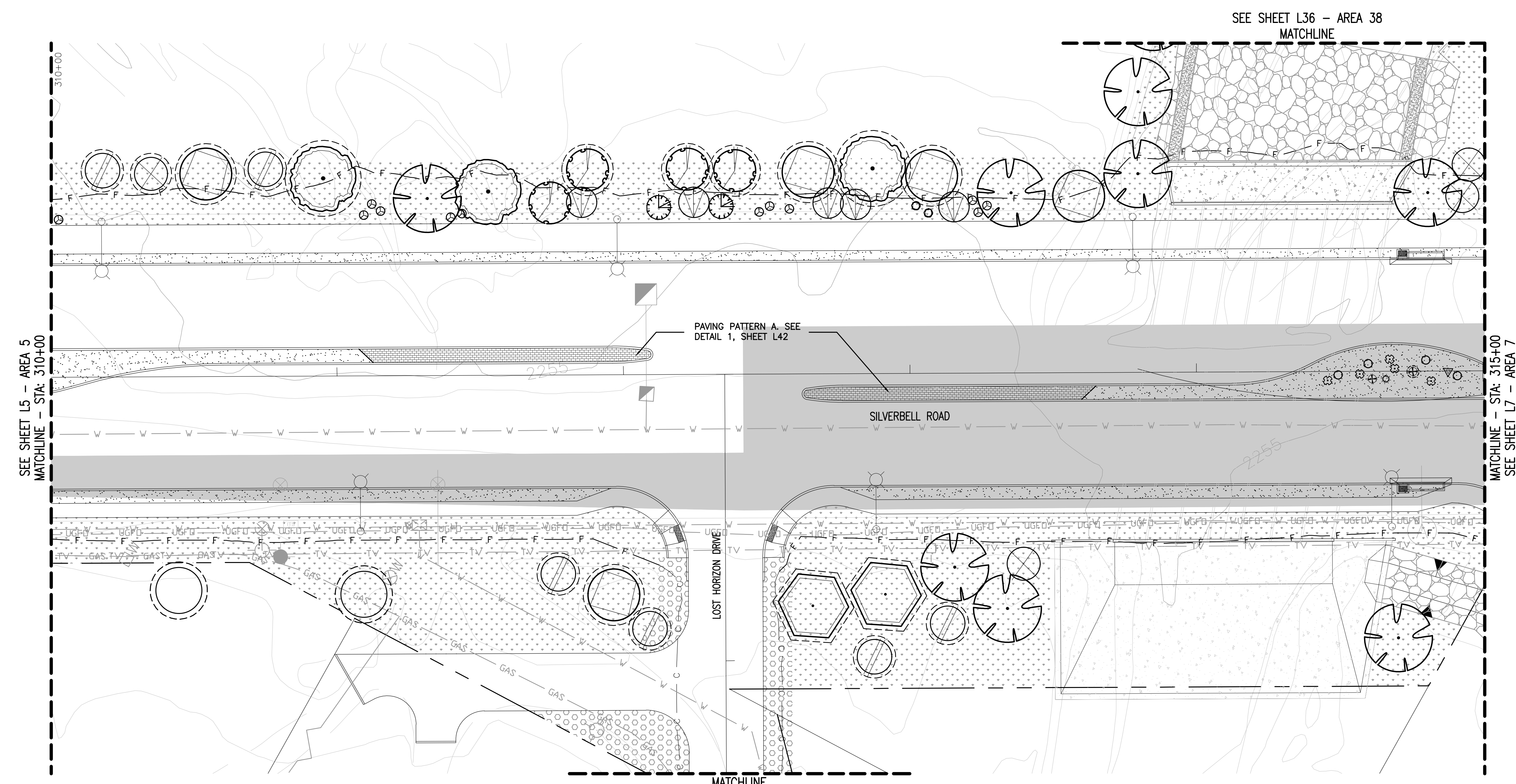
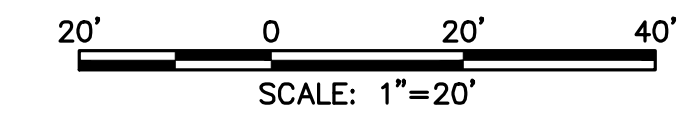
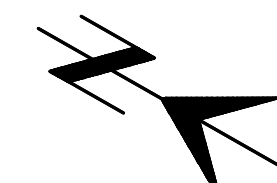
PLAN NO. _____

205
OF
446

Two working days before you dig,
CALL FOR THE BLUE STAKES
1-800-782-5348

DATE\$
FILE\$

McGann & Associates
Landscape Architects and Planners
8814 North Oracle Road, Suite 210, Tucson AZ 85714



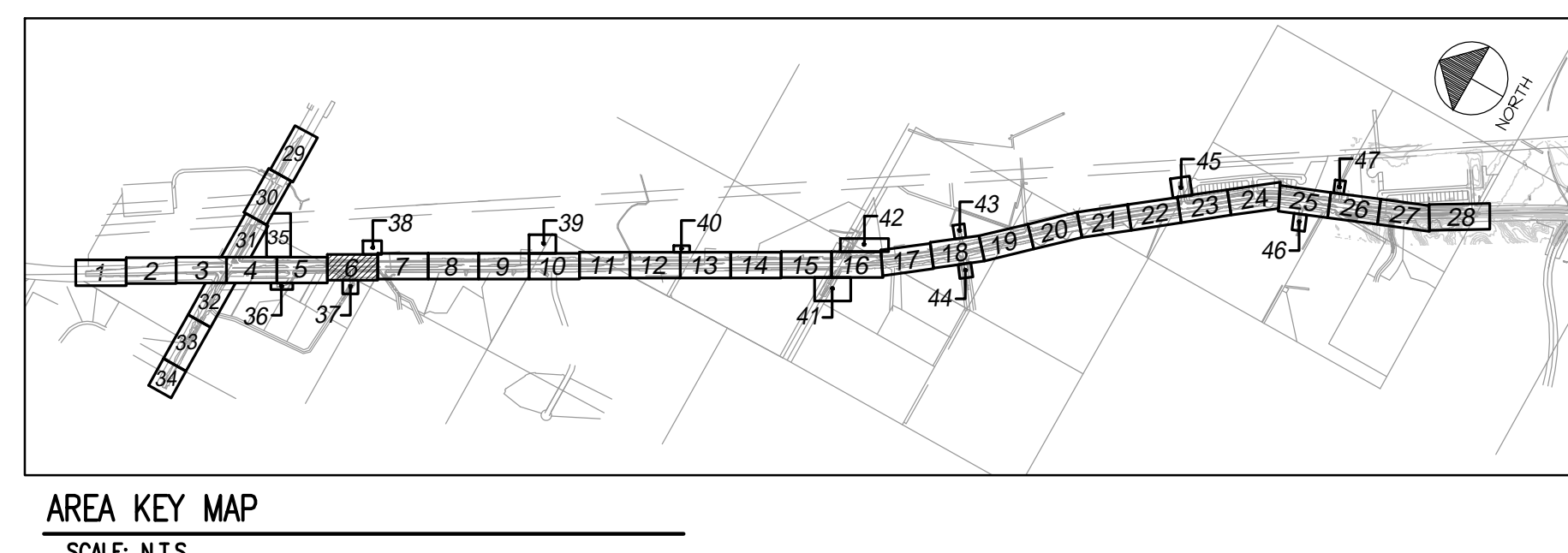
LANDSCAPE LEGEND	
	SIGHT VISIBILITY TRIANGLE
INORGANIC SURFACING	
	DECOMPOSED GRANITE SURFACING
	CONCRETE MEDIAN PAVING
	ROCK MULCH TYPE A
	ROCK MULCH TYPE B
	FLEXIMAT SURFACING TO BE HYDROSEEDED WITH LOW-GROW SEED MIX
HYDROSEED MIX	
	AREA TO BE HYDROSEEDED
	AREA TO BE HYDROSEEDED WITH APPROVED LOW-GROW MIX
PROTECTION OF NATIVE VEGETATION - PRESERVATION FENCING TO BE INSTALLED DURING DEMOLITION PHASE AND IS SHOWN ON DEMOLITION PLANS FOR BIDDING AND CONSTRUCTION. PRESERVATION OF NATIVE VEGETATION IS SHOWN ON LANDSCAPE PLANS FOR REFERENCE ONLY.	

SEE SHEET LS40 TO LS43 FOR LANDSCAPE SCHEDULE AND DETAILS

LANDSCAPE PLAN - AREA 6 - STA: 310+00 TO STA: 315+00
SCALE: 1" = 20'-0"

PLANT LEGEND TREES		LARGE SHRUBS		SMALL SHRUBS		CACTI AND ACCENTS		PRESERVED IN PLACE	
	ACACIA CONSTRICTA WHITETHORN ACACIA		LARREA TRIDENTATA CREOSOTE BUSH		AMBROSIA DELTOIDEA TRIANGLE-LEAF BURSCAPE		AGAVE CHRYSANTHA GOLDEN-FLOWERED AGAVE		HESPERALOE PARVIFLORA RED YUCCA
	PARKINSONIA MICROPHYLLA FOOTHILLS PALO VERDE		CELTIS PALLIDA DESERT HACKBERRY		ANISACANTHUS THURBERI DESERT HONESUCKLE		AGAVE PARRYI PARRY'S AGAVE		OPUNTIA BASILARIS BEAVERTAIL PRICKLY PEAR
	ACACIA GREGGII CATCLAW ACACIA		CONDALIA WARNOCKII CONDALIA		ASCLEPIAS SUBULATA DESERT MILKWEED		CARNEGIEA GIGANTEA SAGUARO		OPUNTIA SANTA-RITA PURPLE PRICKLY PEAR
	CHILOPSIS LINEARIS DESERT WILLOW		PROSOPIS VELUTINA VELVET MESQUITE		DALEA PULCHRA BUSH DALEA		ECHINOCEREUS ENGELMANNII HEDGEHOG CACTUS		PENIOCEREUS GREGGII NIGHT BLOOMING CERESUS
			SIMMONDSIA CHINENSIS JOJOBA		ISOCOMA TENUISECTA BURROWEED		FOUQUIERIA SPLENDENS OCOTILLO		YUCCA BACCATA BANANA YUCCA
			ZIZIPHUS OBTUSIFOLIA GRAYTHORN		JUSTITIA CALIFORNICA CHUPAROSA		YUCCA ELATA SOAPTREE YUCCA		TREE TO BE PRESERVED IN PLACE
					CASSIA (SENNA) WISLIZENII SHRUBBY SENNA				SHRUB TO BE PRESERVED IN PLACE
					PENSTEMON PARRYI PARRY PENSTEMON				CACTUS TO BE PRESERVED IN PLACE

NOTE: DASHED LINE AROUND PLANT SYMBOL INDICATES SALVAGED PLANT



AREA KEY MAP
SCALE: N.T.S.

L6 OF L43



DEPARTMENT OF TRANSPORTATION/ENGINEERING DIVISION

SILVERBELL ROAD
EL CAMINO DEL CERRO TO GORET ROAD
L6 LANDSCAPE PLAN - AREA 6

McGann & Associates
Landscape Architects and Planners
8814 North Oracle Road, Suite 210, Tucson AZ 85718

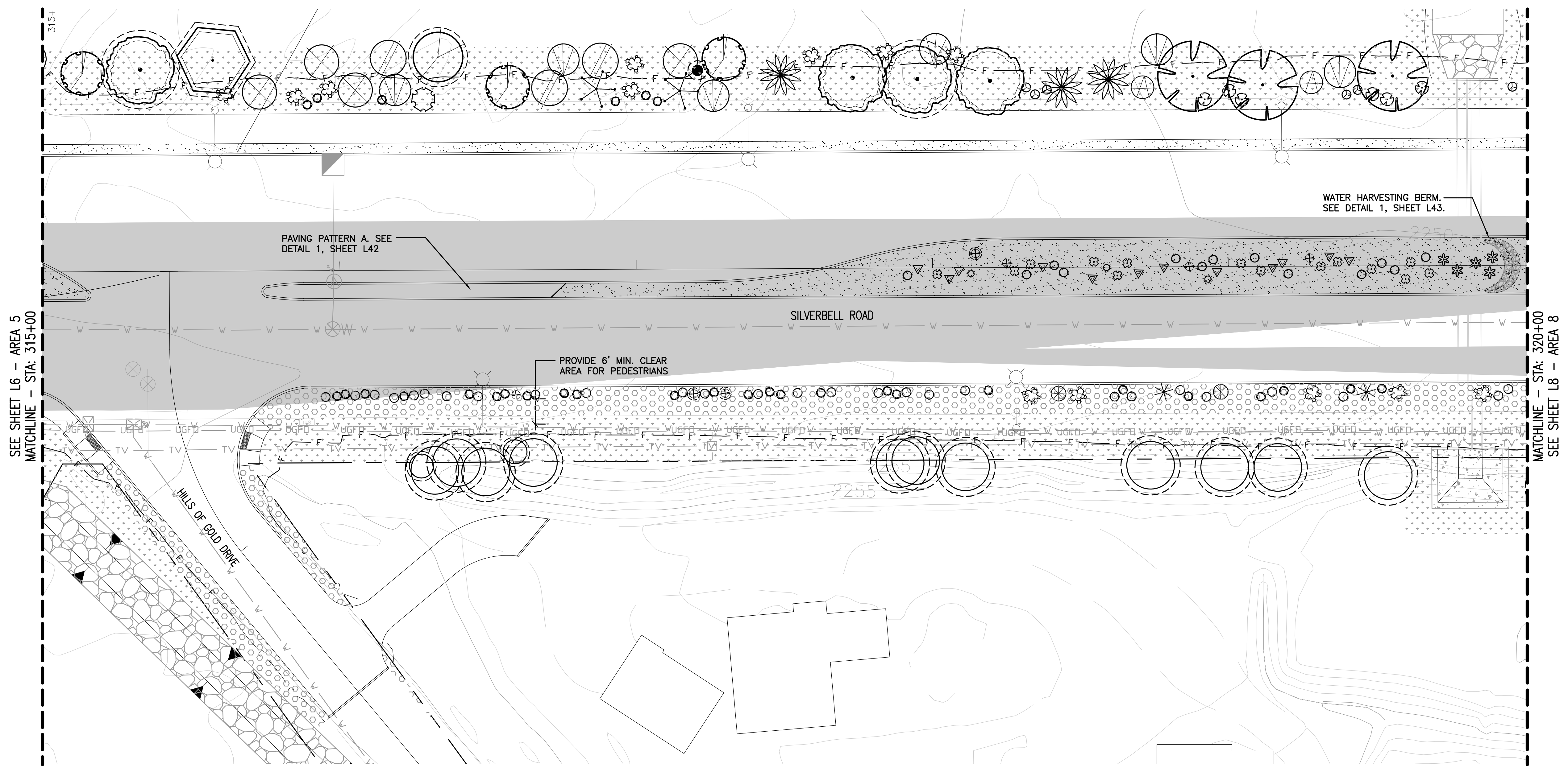
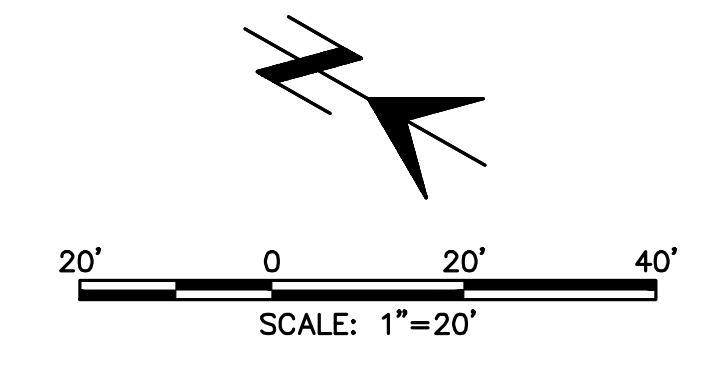
NO.	DATE	REVISION	BY	CHKD.	APPR.

PRELIMINARY
100%
REVIEW
NOT FOR
CONSTRUCTION
OR RECORDING

Approvals	Signatory	Date	Approved
			20
			446
TRANSPORTATION DIRECTOR			
REF.			SCALE: 1" = 20'
DRAWN BY: P.M./M. 2018			PLAN NO.
DSGN. BY: S.M. 2018			
CHKD. BY: J.S. 2018			

Two working days before you dig,
CALL FOR THE BLUE STAKES
1-800-782-5348

DATE \$
FILE \$



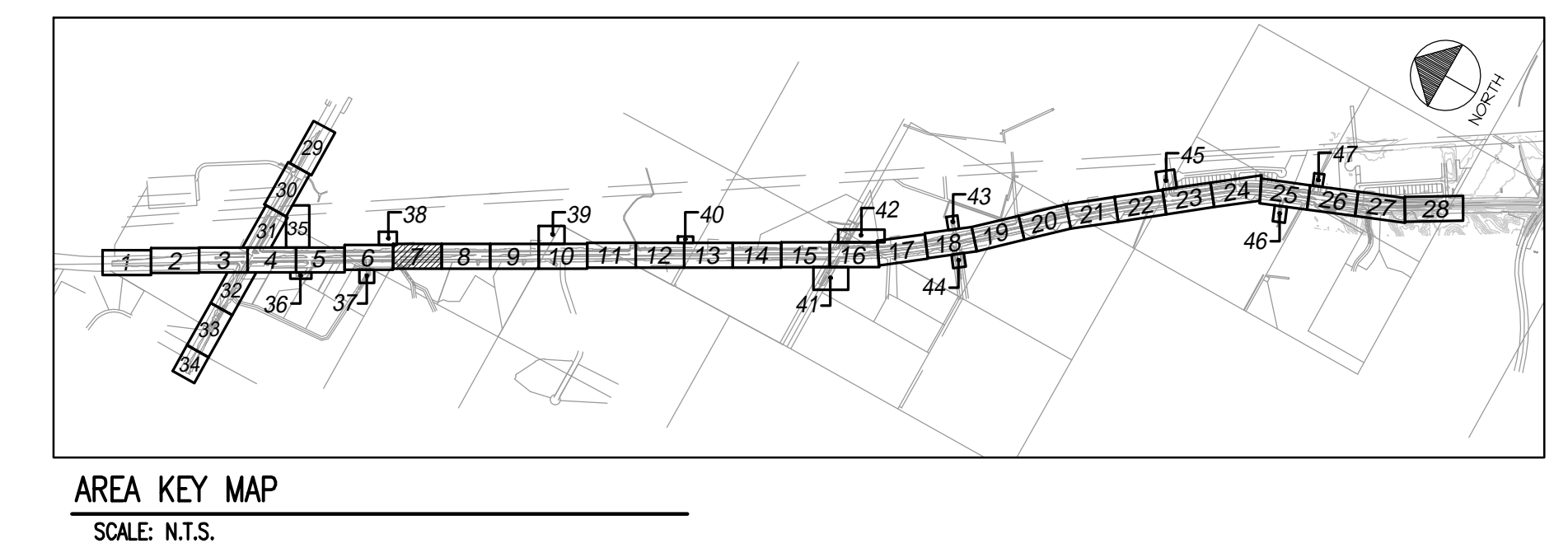
LANDSCAPE LEGEND	
	SIGHT VISIBILITY TRIANGLE
INORGANIC SURFACING	
	DECOMPOSED GRANITE SURFACING
	CONCRETE MEDIAN PAVING
	ROCK MULCH TYPE A
	ROCK MULCH TYPE B
	FLEXIMAT SURFACING TO BE HYDROSEEDED WITH LOW-GROW SEED MIX
HYDROSEED MIX	
	AREA TO BE HYDROSEEDED
	AREA TO BE HYDROSEEDED WITH APPROVED LOW-GROW MIX
PROTECTION OF NATIVE VEGETATION - PRESERVATION FENCING TO BE INSTALLED DURING DEMOLITION PHASE AND IS SHOWN ON DEMOLITION PLANS FOR BIDDING AND CONSTRUCTION. PRESERVATION OF NATIVE VEGETATION IS SHOWN ON LANDSCAPE PLANS FOR REFERENCE ONLY.	

SEE SHEET LS40 TO LS43 FOR LANDSCAPE SCHEDULE AND DETAILS

LANDSCAPE PLAN - AREA 7 - STA: 315+00 TO STA: 320+00
SCALE: 1" = 20'-0"

PLANT LEGEND	
	ACACIA CONSTRICTA WHITETHORN ACACIA
	ACACIA GREGGII CATCLAW ACACIA
	CHILOPSIS LINEARIS DESERT WILLOW
	PARKINSONIA MICROPHYLLA FOOTHILLS PALO VERDE
	PROSOPIS VELUTINA VELVET MESQUITE
LARGE SHRUBS	
	LARREA TRIDENTATA CREOSOTE BUSH
	CELTIS PALLIDA DESERT HACKBERRY
	CONDALIA WARNOCKII CONDALIA
	SIMMONDSIA CHINENSIS JUOBA
	ZIZIPHUS OBTUSIFOLIA GRAYTHORN
SMALL SHRUBS	
	AMBROSIA DELTOIDEA TRIANGLE-LEAF BURSAGE
	ANISACANTHUS THURBERI DESERT HONESUCKLE
	ASCLEPIAS SUBULATA DESERT MILKWEED
	CALANDRIA ERIOPHYLLA FAIRY DUSTER
	DALEA PULCHRA BUSH DALEA
	ISOCOMA TENUISECTA BURROWEED
	JUSTITIA CALIFORNICA CHUPAROSA
	CASSIA (SENNA) WISLIZENII SHRUBBY SENNA
	PENSTEMON PARRYI PARRY PENSTEMON
CACTI AND ACCENTS	
	AGAVE CHRYSANTHA GOLDEN-FLOWERED AGAVE
	AGAVE PARRYI PARRY'S AGAVE
	CARNEGIA GIGANTEA SAGUARO
	ECHINOCEREUS ENGELMANNII HEDGEHOG CACTUS
	FEROCACTUS WISLIZENII FISHHOOK BARREL
	FOUQUIERIA SPLENDENS OCOTILLO
	HESPERALOE PARVIFLORA RED YUCCA
	OPUNTIA BASILARIS BEAVERTAIL PRICKLY PEAR
	OPUNTIA SANTA-RITA PURPLE PRICKLY PEAR
	PENIOCIEREUS GREGGII NIGHT-BLOOMING CERUEUS
	YUCCA BACCATA BANANA YUCCA
	YUCCA ELATA SOAPTREE YUCCA
	TREE TO BE PRESERVED IN PLACE
	SHRUB TO BE PRESERVED IN PLACE
	CACTUS TO BE PRESERVED IN PLACE

NOTE: DASHED LINE AROUND PLANT SYMBOL INDICATES SALVAGED PLANT



AREA KEY MAP
SCALE: N.T.S.

L7 OF L43

McGann & Associates
Landscape Architects and Planners
8814 North Oracle Road, Suite 210, Tucson, AZ 85718



DEPARTMENT OF TRANSPORTATION/ENGINEERING DIVISION

SILVERBELL ROAD
EL CAMINO DEL CERRO TO GORET ROAD
L7 LANDSCAPE PLAN - AREA 7

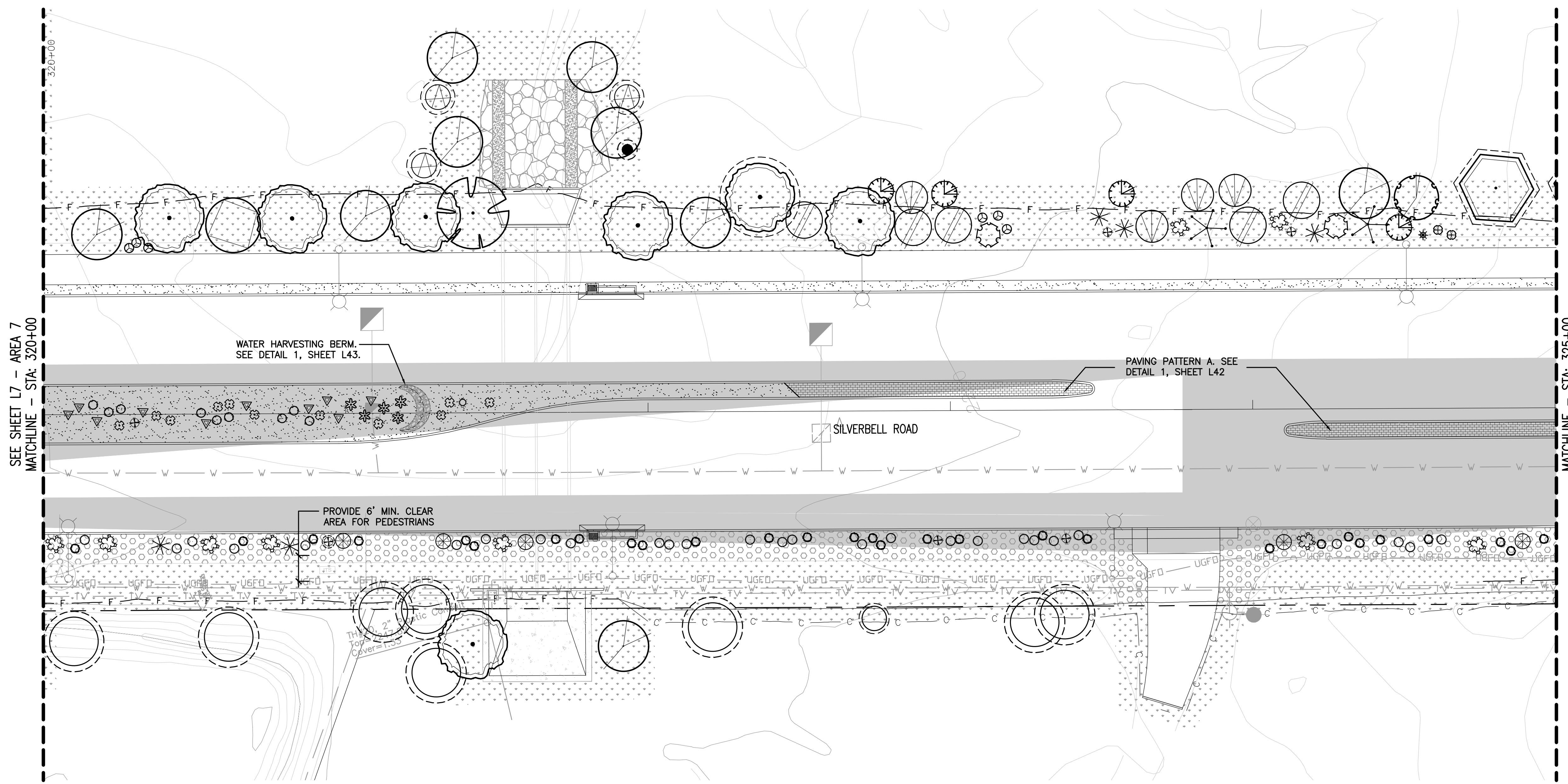
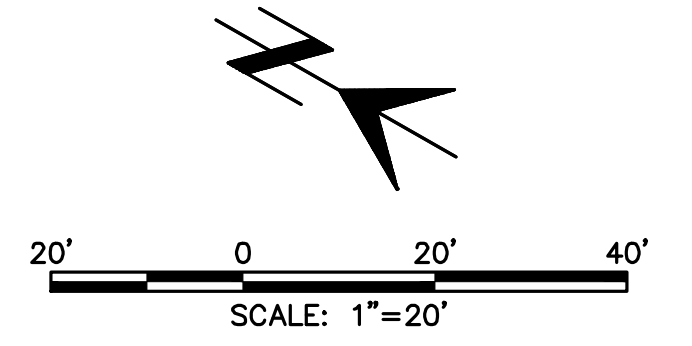
NO.	DATE	REVISION	BY	CHKD.	APPR.

PRELIMINARY
100%
REVIEW
NOT FOR
CONSTRUCTION
OR RECORDING

Approvals	Signatory	Date	Approved
			20
			446
			TRANSPORTATION DIRECTOR
			REF. SCALE: 1" = 20'
			PLAN NO.

Two working days before you dig,
CALL FOR THE BLUE STAKES
1-800-782-5348

DATE\$
FILE\$



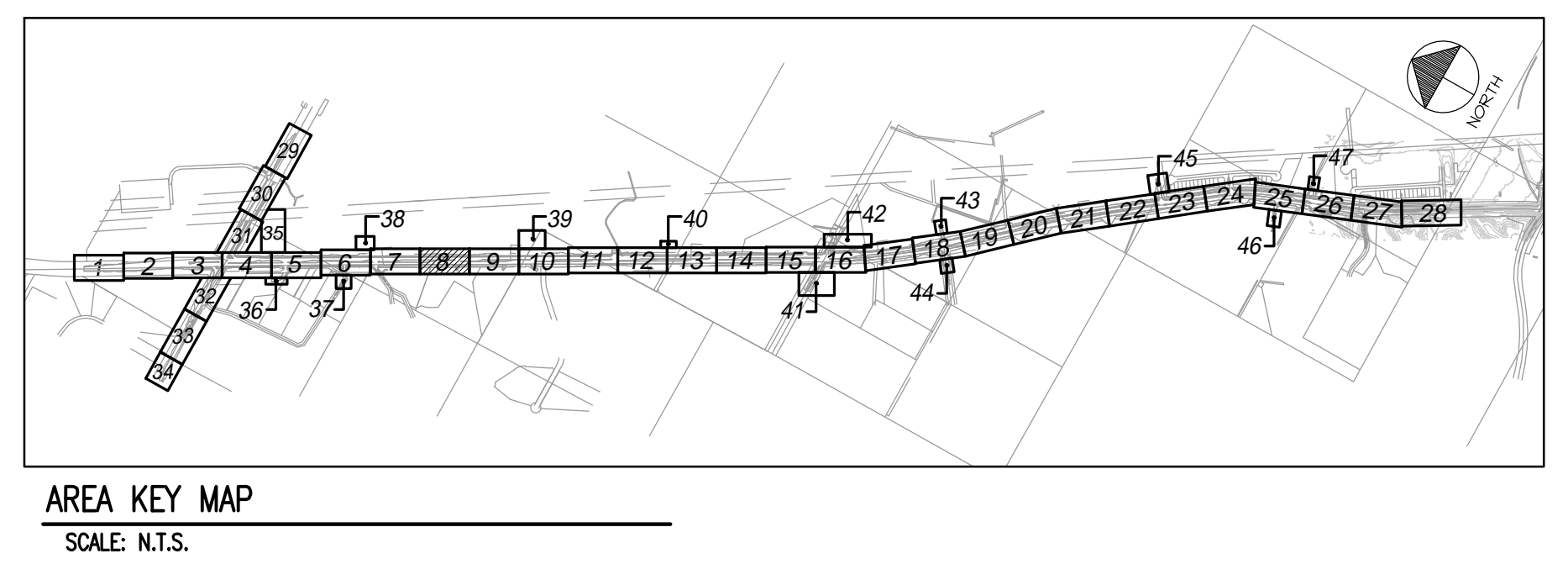
LANDSCAPE LEGEND	
	SIGHT VISIBILITY TRIANGLE
INORGANIC SURFACING	
	DECOMPOSED GRANITE SURFACING
	CONCRETE MEDIAN PAVING
	ROCK MULCH TYPE A
	SLOPE TREATMENT ROCK MULCH TYPE B
	FLEXIMAT SURFACING TO BE HYDROSEEDED WITH LOW-GROW SEED MIX
HYDROSEED MIX	
	AREA TO BE HYDROSEEDED
	AREA TO BE HYDROSEEDED WITH APPROVED LOW-GROW MIX
PROTECTION OF NATIVE VEGETATION - PRESERVATION FENCING TO BE INSTALLED DURING DEMOLITION PHASE AND IS SHOWN ON DEMOLITION PLANS FOR BIDDING AND CONSTRUCTION. PRESERVATION OF NATIVE VEGETATION IS SHOWN ON LANDSCAPE PLANS FOR REFERENCE ONLY.	

SEE SHEET LS40 TO LS43 FOR LANDSCAPE SCHEDULE AND DETAILS

LANDSCAPE PLAN - AREA 8 - STA: 320+00 TO STA: 325+00
SCALE: 1" = 20'-0"

PLANT LEGEND	
	ACACIA CONSTRICTA WHITETHORN ACACIA
	ACACIA GREGGII CATCLAW ACACIA
	CHILOPSIS LINEARIS DESERT WILLOW
	PARKINSONIA MICROPHYLLA FOOTHILLS PALO VERDE
	PROSOPIS VELUTINA VELVET MESQUITE
LARGE SHRUBS	
	LARREA TRIDENTATA CREOSOTE BUSH
	CELTIS PALLIDA DESERT HACKBERRY
	CONDALIA WARNOCKII CONDALIA
	SIMMONDSIA CHINENSIS JOJOBA
	ZIZIPHUS OBTUSIFOLIA GRAYTHORN
SMALL SHRUBS	
	AMBROSIA DELTOIDEA TRIANGLE-LEAF BURSAGE
	ANISACANTHUS THURBERI DESERT HONESUCKLE
	ASCLEPIAS SUBULATA DESERT MILKWEED
	CALANDRIA ERIOPHYLLA FAIRY DUSTER
	DALEA PULCHRA BUSH DALEA
	ISOCOMA TENUISECTA BURROWEED
	JUSTITIA CALIFORNICA CHUPAROSA
	CASSIA (SENNA) WISLIZENII SHRUBBY SENNA
	PENSTEMON PARRYI PARRY PENSTEMON
CACTI AND AGAVES	
	AGAVE CHRYSANTHA GOLDEN-FLOWERED AGAVE
	AGAVE PARRYI PARRY'S AGAVE
	CARNEGIEA GIGANTEA SAGUARO
	ECHINOCEREUS ENGELMANNII HEDGEHOG CACTUS
	FEROCACTUS WISLIZENII FISHHOOK BARREL
	FOUQUIERIA SPLENDENS OCOTILLO
	HESPERALOE PARVIFLORA RED YUCCA
	OPUNTIA BASILARIS BEAVERTAIL PRICKLY PEAR
	OPUNTIA SANTA-RITA PURPLE PRICKLY PEAR
	PENIOCEREUS GREGGII NIGHT-BLOOMING CERESUS
	YUCCA BACCATA BANANA YUCCA
	YUCCA ELATA SOAPTREE YUCCA
	TREE TO BE PRESERVED IN PLACE
	SHRUB TO BE PRESERVED IN PLACE
	CACTUS TO BE PRESERVED IN PLACE

NOTE: DASHED LINE AROUND PLANT SYMBOL INDICATES SALVAGED PLANT



AREA KEY MAP
SCALE: N.T.S.



DEPARTMENT OF TRANSPORTATION/ENGINEERING DIVISION

SILVERBELL ROAD
EL CAMINO DEL CERRO TO GORET ROAD
L8 LANDSCAPE PLAN - AREA 8

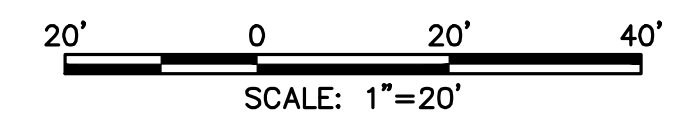
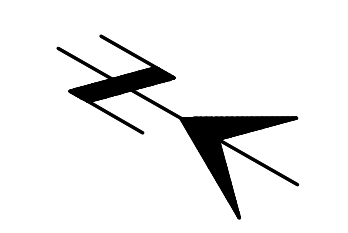
NO.	DATE	REVISION	BY	CHKD.	APPR.

PRELIMINARY
100%
REVIEW
NOT FOR
CONSTRUCTION
OR RECORDING

Approvals	Signatory	Date	Approved
			20
			446
			TRANSPORTATION DIRECTOR
			REF. SCALE: 1" = 20'
			PLAN NO.

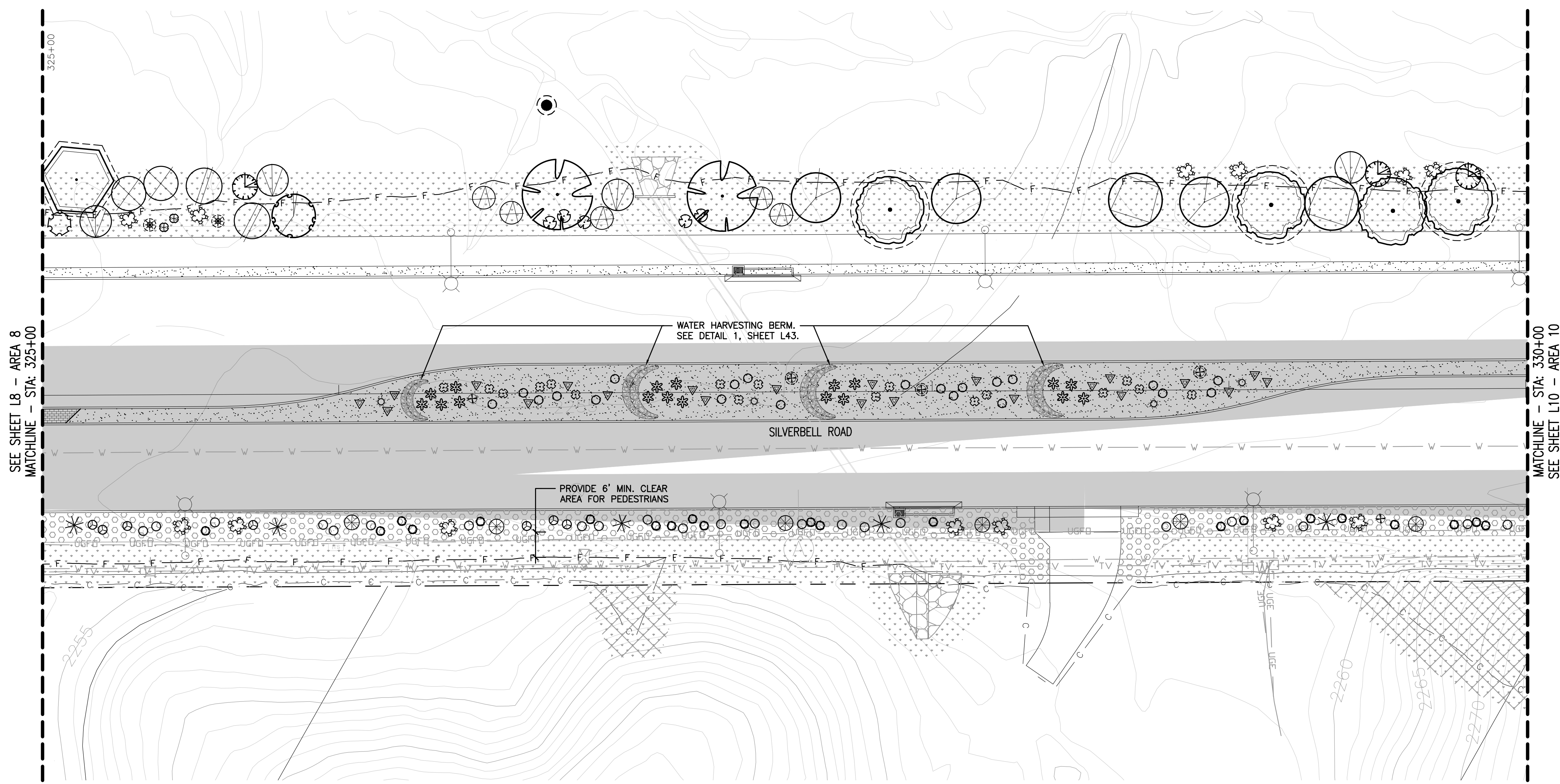
Two working days before you dig,
CALL FOR THE BLUE STAKES
1-800-782-5348

DATE \$
FILE \$



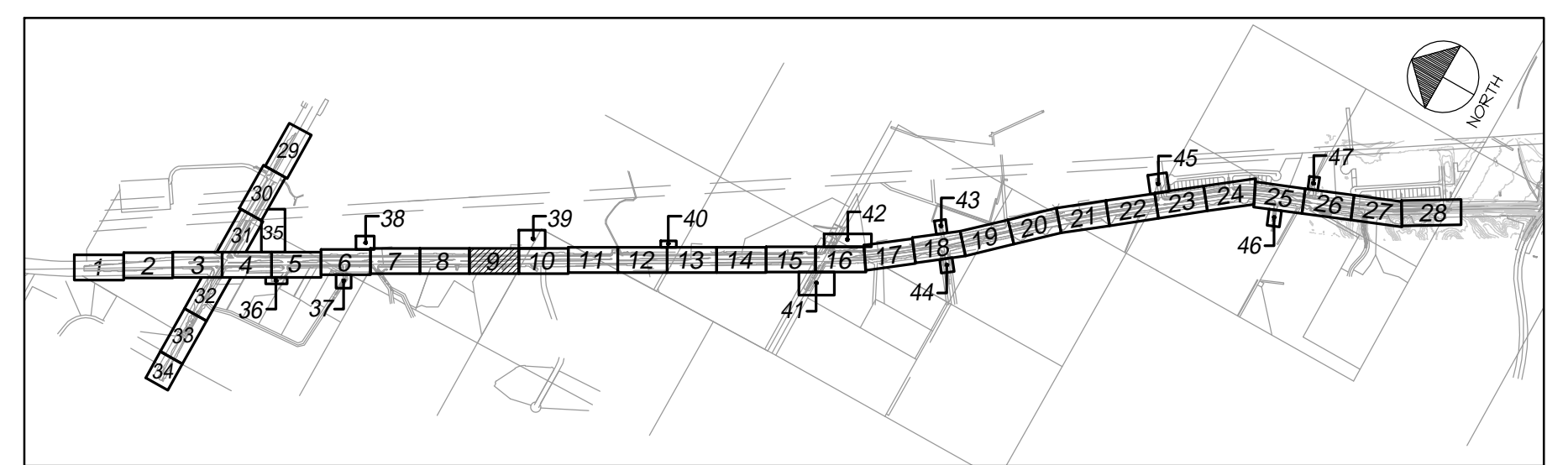
LANDSCAPE LEGEND	
	SIGHT VISIBILITY TRIANGLE
INORGANIC SURFACING	
	DECOMPOSED GRANITE SURFACING
	CONCRETE MEDIAN PAVING
	ROCK MULCH TYPE A
	SLOPE TREATMENT ROCK MULCH TYPE B
	FLEXIMAT SURFACING TO BE HYDROSEEDED WITH LOW-GROW SEED MIX
HYDROSEED MIX	
	AREA TO BE HYDROSEEDED
	AREA TO BE HYDROSEEDED WITH APPROVED LOW-GROW MIX
PROTECTION OF NATIVE VEGETATION - PRESERVATION FENCING TO BE INSTALLED DURING DEMOLITION PHASE AND IS SHOWN ON DEMOLITION PLANS FOR BIDDING AND CONSTRUCTION. PRESERVATION OF NATIVE VEGETATION IS SHOWN ON LANDSCAPE PLANS FOR REFERENCE ONLY.	

SEE SHEET LS40 TO LS43 FOR LANDSCAPE SCHEDULE AND DETAILS



LANDSCAPE PLAN - AREA 9 - STA: 325+00 TO STA: 330+00
SCALE: 1" = 20'-0"

PLANT LEGEND		TREES	
	ACACIA CONSTRICTA WHITETHORN ACACIA		PARKINSONIA MICROPHYLLA FOOTHILLS PALO VERDE
	ACACIA GREGGII CATCLAW ACACIA		PROSOPIS VELUTINA VELVET MESQUITE
	CHILOPSIS LINEARIS DESERT WILLOW		
NOTE: DASHED LINE AROUND PLANT SYMBOL INDICATES SALVAGED PLANT			
LARGE SHRUBS		SMALL SHRUBS	
	LARREA TRIDENTATA CREOSOTE BUSH		AMBROSIA DELTOIDEA TRIANGLE-LEAF BURSAE
	CELTIS PALLIDA DESERT HACKBERRY		ANISACANTHUS THURBERI DESERT HONESUCKLE
	CONDALIA WARNOCKII CONDALIA		ASCLEPIAS SURBULATA DESERT MILKWEEED
	SIMMONDSIA CHINENSIS JOJOBA		CALLIANDRA ERIOPHYLLA FAIRY DUSTER
	ZIZIPHUS OBTUSIFOLIA GRAYTHORN		DALEA PULCHRA BUSH DALEA
			ISOCOMA TENUISECTA BURROWEED
			JUSTITIA CALIFORNICA CHUPAROSA
			CASSIA (SENNA) WISLIZENII SHRUBBY SENNA
			PENSTEMON PARRYI PARRY PENSTEMON
CACTI AND AGENTS		PRESERVED IN PLACE	
	AGAVE CHRYSANTHA GOLDEN-FLOWERED AGAVE		TREE TO BE PRESERVED IN PLACE
	AGAVE PARRYI PARRY'S AGAVE		SHRUB TO BE PRESERVED IN PLACE
	CARNEGIEA GIGANTEA SAGUARO		CACTUS TO BE PRESERVED IN PLACE
	ECHINOCEREUS ENGELMANNII HEDGEHOG CACTUS		
	FOUQUIERIA SPLENDENS OCOTILLO		
	HESPERALOE PARVIFLORA RED YUCCA		
	OPUNTIA BASILARIS BEAVERTAIL PRICKLY PEAR		
	OPUNTIA SANTA-RITA PURPLE PRICKLY PEAR		
	PENIOCIEREUS GREGGII NIGHT-BLOOMING CERESUS		
	YUCCA BACCATA BANANA YUCCA		
	YUCCA ELATA SOAPTREE YUCCA		



AREA KEY MAP
SCALE: N.T.S.

L9 OF L43



DEPARTMENT OF TRANSPORTATION/ENGINEERING DIVISION

SILVERBELL ROAD
EL CAMINO DEL CERRO TO GORET ROAD
L9 LANDSCAPE PLAN - AREA 9

McGann & Associates
Landscape Architects and Planners

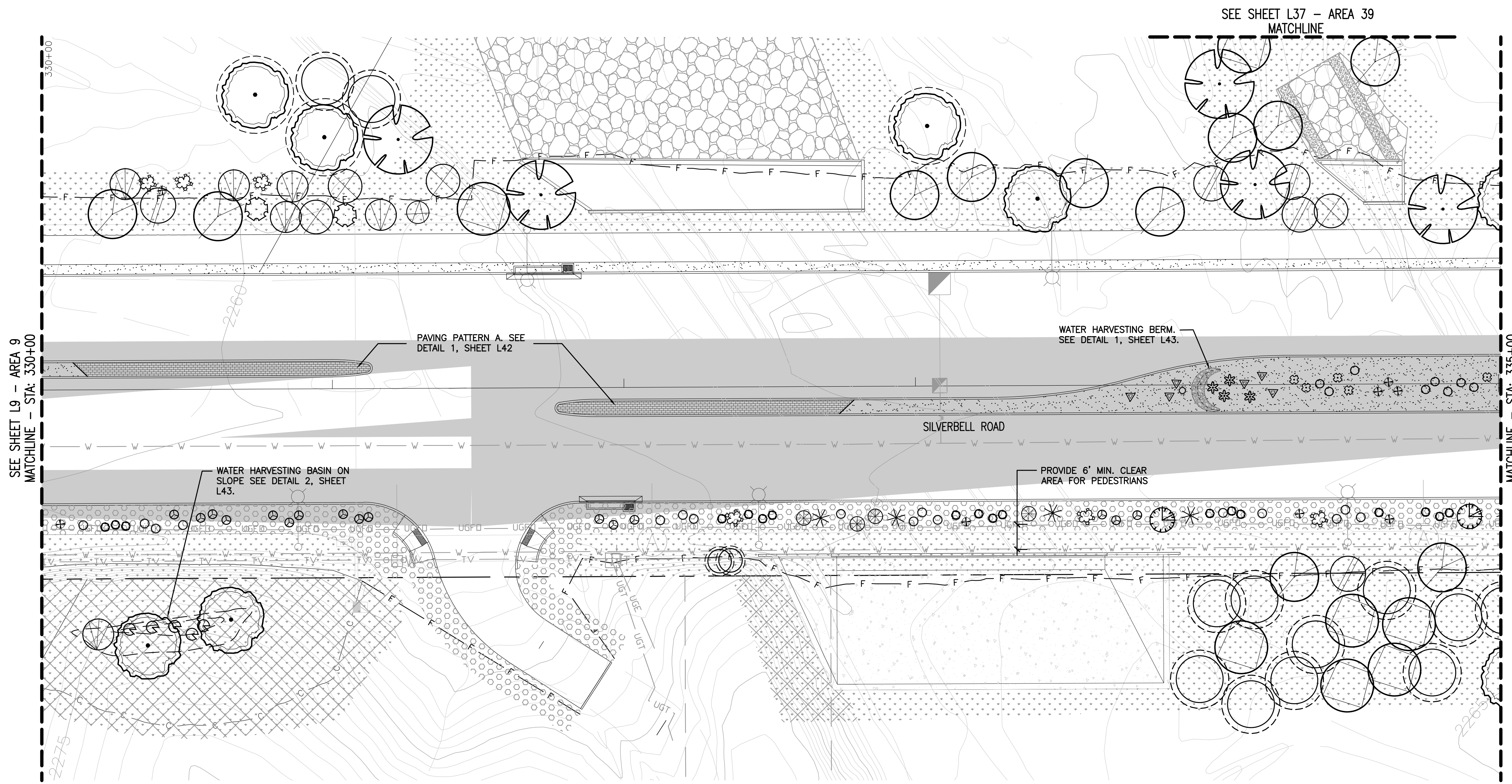
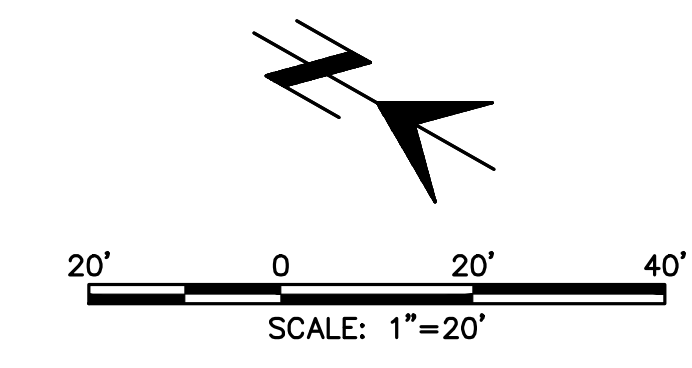
NO.	DATE	REVISION	BY	CHKD.	APPR.

PRELIMINARY
100%
REVIEW
NOT FOR
CONSTRUCTION
OR RECORDING

Approvals	Signatory	Date	Approved
			20
			446
TRANSPORTATION DIRECTOR			
REF.			SCALE: 1" = 20'
PLAN NO.			

Two working days before you dig,
CALL FOR THE BLUE STAKES
1-800-782-5348

DATE\$
FILE\$



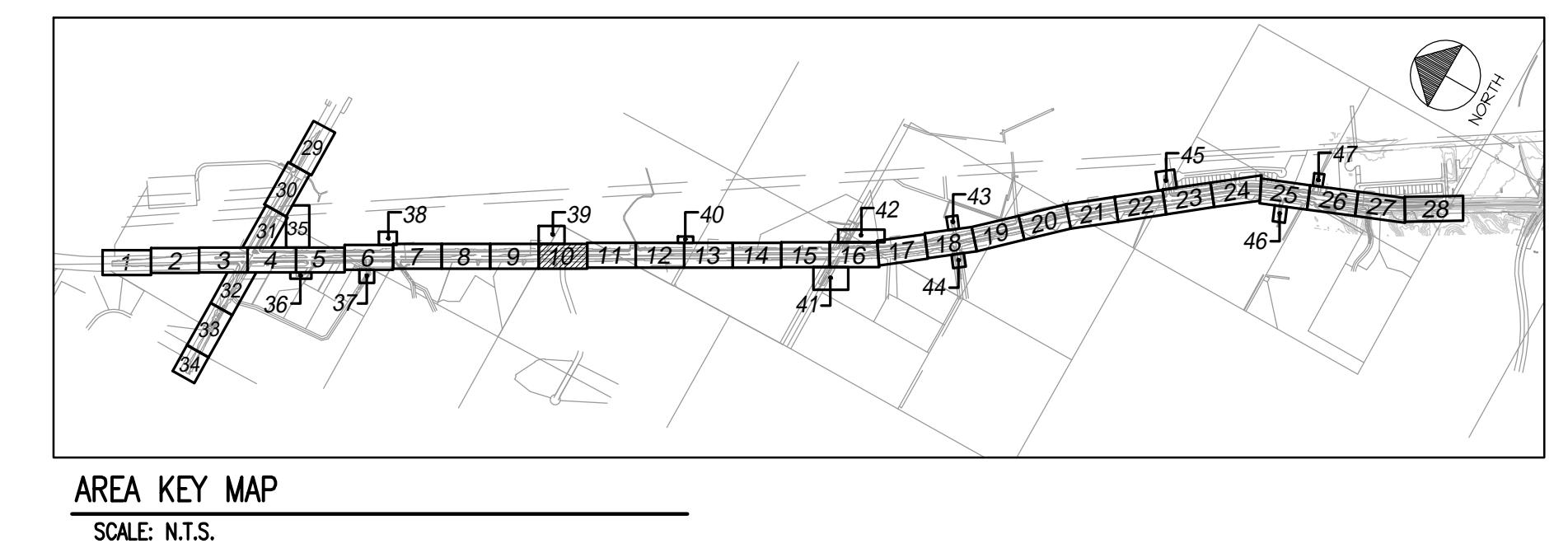
LANDSCAPE LEGEND	
	SIGHT VISIBILITY TRIANGLE
INORGANIC SURFACING	
	DECOMPOSED GRANITE SURFACING
	CONCRETE MEDIAN PAVING
	ROCK MULCH TYPE A
	ROCK MULCH TYPE B
	FLEXIMAT SURFACING TO BE HYDROSEEDED WITH LOW-GROW SEED MIX
HYDROSEED MIX	
	AREA TO BE HYDROSEEDED
	AREA TO BE HYDROSEEDED WITH APPROVED LOW-GROW MIX
PROTECTION OF NATIVE VEGETATION - PRESERVATION FENCING TO BE INSTALLED DURING DEMOLITION PHASE AND IS SHOWN ON DEMOLITION PLANS FOR BIDDING AND CONSTRUCTION. PRESERVATION OF NATIVE VEGETATION IS SHOWN ON LANDSCAPE PLANS FOR REFERENCE ONLY.	

SEE SHEET LS40 TO LS43 FOR LANDSCAPE SCHEDULE AND DETAILS

LANDSCAPE PLAN - AREA 10 - STA: 330+00 TO STA: 335+00
SCALE: 1" = 20'-0"

PLANT LEGEND	
	ACACIA CONSTRICTA WHITETHORN ACACIA
	ACACIA GREGGII CATCLAW ACACIA
	CHILOPSIS LINEARIS DESERT WILLOW
	PARKINSONIA MICROPHYLLA FOOTHILLS PALO VERDE
	PROSOPIS VELUTINA VELVET MESQUITE
LARGE SHRUBS	
	LARREA TRIDENTATA CREOSOTE BUSH
	CELTIIS PALLIDA DESERT HACKBERRY
	CONDALIA WARNOCKII CONDALIA
	SIMMONDSIA CHINENSIS JOJOBA
	ZIZIPHUS OBTUSIFOLIA GRAYTHORN
SMALL SHRUBS	
	AMBROSIA DELTOIDEA TRIANGLE-LEAF BURSAGE
	ANISACANTHUS THURBERI DESERT HONESUCKLE
	ASCLEPIAS SUBULATA DESERT MILKWEED
	CALANDRIA ERIOPHYLLA FARY DUSTER
	DALEA PULCHRA BUSH DALEA
	ISOCOMA TENUISECTA BURROWEED
	JUSTITIA CALIFORNICA CHUPAROSA
	CASSIA (SENNA) WISLIZENII SHRUBBY SENNA
	PENSTEMON PARRYI PARRY PENSTEMON
CACTI AND AGAVES	
	AGAVE CHRYSANTHA GOLDEN-FLOWERED AGAVE
	AGAVE PARRYI PARRY'S AGAVE
	CARNEGIEA GIGANTEA SAGUARO
	ECHINOCEREUS ENGELMANNII HEDGEHOG CACTUS
	FEROCACTUS WISLIZENII FISHHOOK BARREL
	FOUQUIERIA SPLENDENS OCOTILLO
	HESPERALOE PARVIFLORA RED YUCCA
	OPUNTIA BASILARIS BEAVERTAIL PRICKLY PEAR
	OPUNTIA SANTA-RITA PURPLE PRICKLY PEAR
	PENIOCEREUS GREGGII NIGHT BLOOMING CERESUS
	YUCCA BACCATA BANANA YUCCA
	YUCCA ELATA SOAPTREE YUCCA
PRESERVED IN PLACE	
	TREE TO BE PRESERVED IN PLACE
	SHRUB TO BE PRESERVED IN PLACE
	CACTUS TO BE PRESERVED IN PLACE

NOTE: DASHED LINE AROUND PLANT SYMBOL INDICATES SALVAGED PLANT



AREA KEY MAP
SCALE: N.T.S.

L10 OF L43



DEPARTMENT OF TRANSPORTATION/ENGINEERING DIVISION

SILVERBELL ROAD
EL CAMINO DEL CERRO TO GORET ROAD
L10 LANDSCAPE PLAN - AREA 10

NO.	DATE	REVISION	BY	CHKD.	APPR.

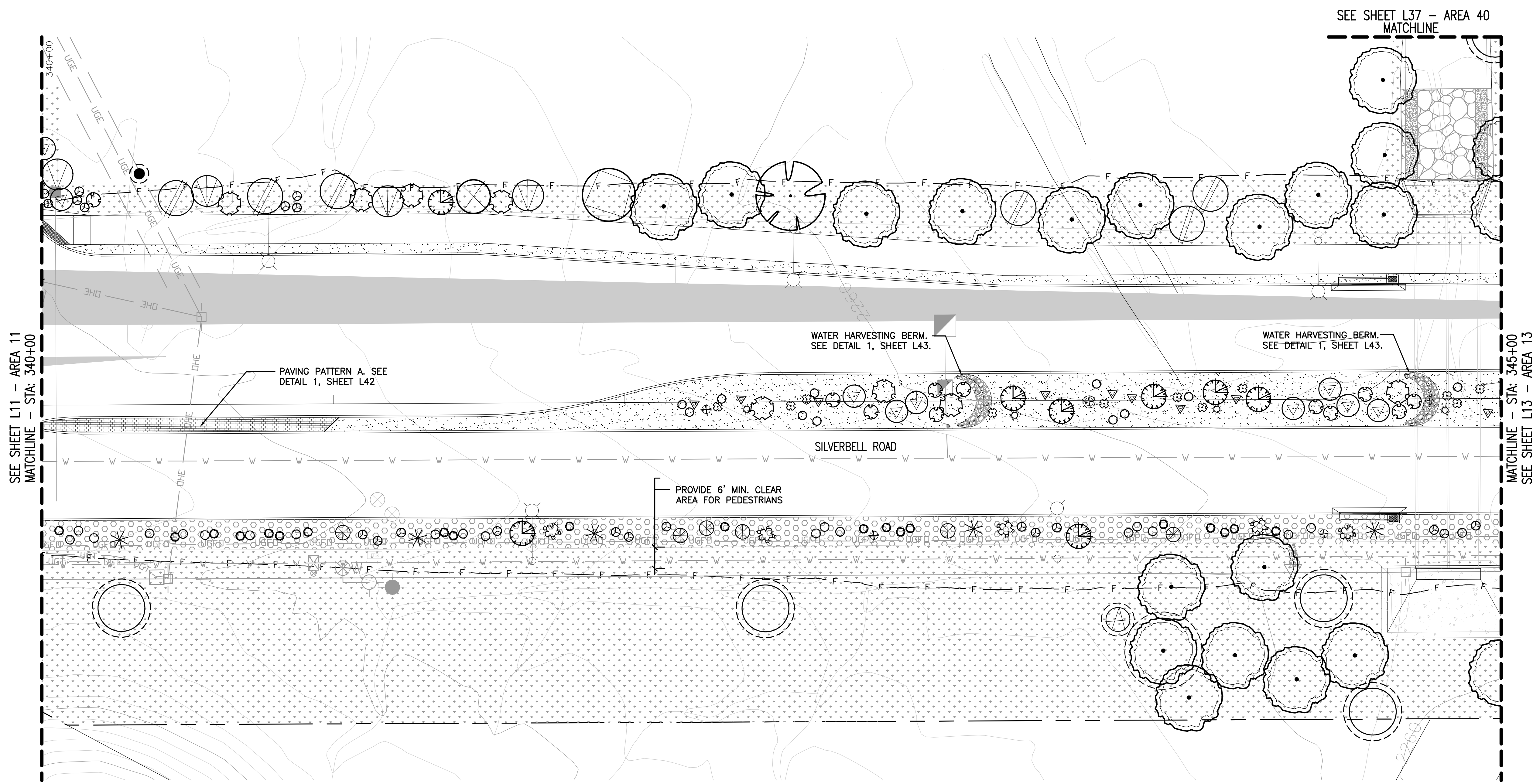
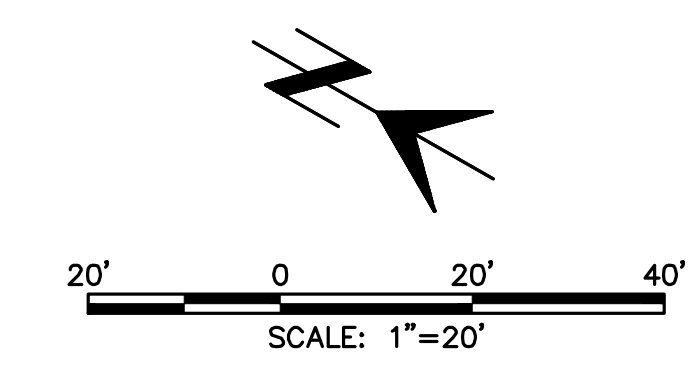
PRELIMINARY
100%
REVIEW
NOT FOR
CONSTRUCTION
OR RECORDING

Approvals	Signatory	Date

Approved _____ 20__ 210 OF 446
TRANSPORTATION DIRECTOR
REF. _____ SCALE: 1" = 20'
PLAN NO. _____

Two working days before you dig,
CALL FOR THE BLUE STAKES
1-800-782-5348

DATE \$
FILE \$



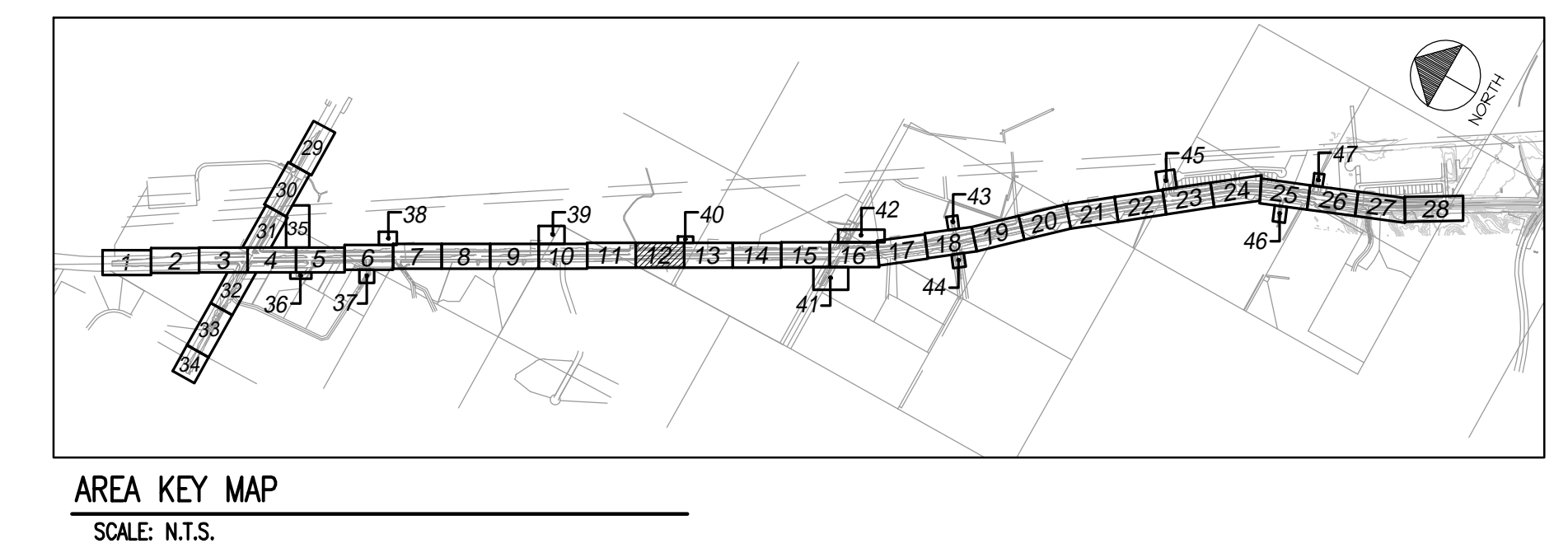
LANDSCAPE LEGEND	
	SIGHT VISIBILITY TRIANGLE
INORGANIC SURFACING	
	DECOMPOSED GRANITE SURFACING
	CONCRETE MEDIAN PAVING
	ROCK MULCH TYPE A
	SLOPE TREATMENT ROCK MULCH TYPE B
	FLEXIMAT SURFACING TO BE HYDROSEEDDED WITH LOW-GROW SEED MIX
HYDROSEED MIX	
	AREA TO BE HYDROSEEDDED
	AREA TO BE HYDROSEEDDED WITH APPROVED LOW-GROW MIX
PROTECTION OF NATIVE VEGETATION - PRESERVATION FENCING TO BE INSTALLED DURING DEMOLITION PHASE AND IS SHOWN ON DEMOLITION PLANS FOR BIDDING AND CONSTRUCTION. PRESERVATION OF NATIVE VEGETATION IS SHOWN ON LANDSCAPE PLANS FOR REFERENCE ONLY.	

SEE SHEET LS40 TO LS43 FOR LANDSCAPE SCHEDULE AND DETAILS

LANDSCAPE PLAN - AREA 12 - STA: 340+00 TO STA: 345+00
SCALE: 1" = 20'-0"

PLANT LEGEND	
	ACACIA CONSTRICTA WHITETHORN ACACIA
	ACACIA GREGGII CATCLAW ACACIA
	CHILOPSIS LINEARIS DESERT WILLOW
	PARKINSONIA MICROPHYLLA FOOTHILLS PALO VERDE
	PROSOPIS VELUTINA VELVET MESQUITE
LARGE SHRUBS	
	LARREA TRIDENTATA CREOSOTE BUSH
	CELTIS PALLIDA DESERT HACKBERRY
	CONDALIA WARNOCKII CONDALIA
	SIMMONDSIA CHINENSIS JOJOBA
	ZIZIPHUS OBTUSIFOLIA GRAYTHORN
SMALL SHRUBS	
	AMBROSIA DELTOIDEA TRIANGLE-LEAF BURSAGE
	ANISACANTHUS THURBERI DESERT HONESUCKLE
	ASCLEPIAS SUBULATA DESERT MILKWEED
	CALIANDRA ERIOPHYLLA FAIRY DUSTER
	DALEA PULCHRA BUSH DALEA
	ISOCOMA TENUISECTA BURROWEED
	JUSTICIA CALIFORNICA CHUPAROSA
	CASSIA (SENNA) WISLIZENII SHRUBBY SENNA
	PENSTEMON PARRYI PARRY PENSTEMON
CACTI AND AGENTS	
	AGAVE CHRYSANTHA GOLDEN-FLOWERED AGAVE
	AGAVE PARRYI PARRY'S AGAVE
	CARNEGIEA GIGANTEA SAGUARO
	ECHINOCEREUS ENGELMANNII HEDGEHOG CACTUS
	FOUQUIERIA SPLENDENS OCOTILLO
	HESPERALOE PARVIFLORA RED YUCCA
	OPUNTIA BASILARIS BEAVERTAIL PRICKLY PEAR
	OPUNTIA SANTA-RITA PURPLE PRICKLY PEAR
	PENIOCIEREUS GREGGII NIGHT-BLOOMING CERESUS
	YUCCA BACCATA BANANA YUCCA
	YUCCA ELATA SOAPTREE YUCCA
PRESERVED IN PLACE	
	TREE TO BE PRESERVED IN PLACE
	SHRUB TO BE PRESERVED IN PLACE
	CACTUS TO BE PRESERVED IN PLACE

NOTE: DASHED LINE AROUND PLANT SYMBOL INDICATES SALVAGED PLANT



L12 OF L43



DEPARTMENT OF TRANSPORTATION/ENGINEERING DIVISION

SILVERBELL ROAD
EL CAMINO DEL CERRO TO GORET ROAD
L12 LANDSCAPE PLAN - AREA 12

NO.	DATE	REVISION	BY	CHKD.	APPR.

PRELIMINARY
100%
REVIEW
NOT FOR
CONSTRUCTION
OR RECORDING

Approvals	Signatory	Date	Approved	20

TRANSPORTATION DIRECTOR

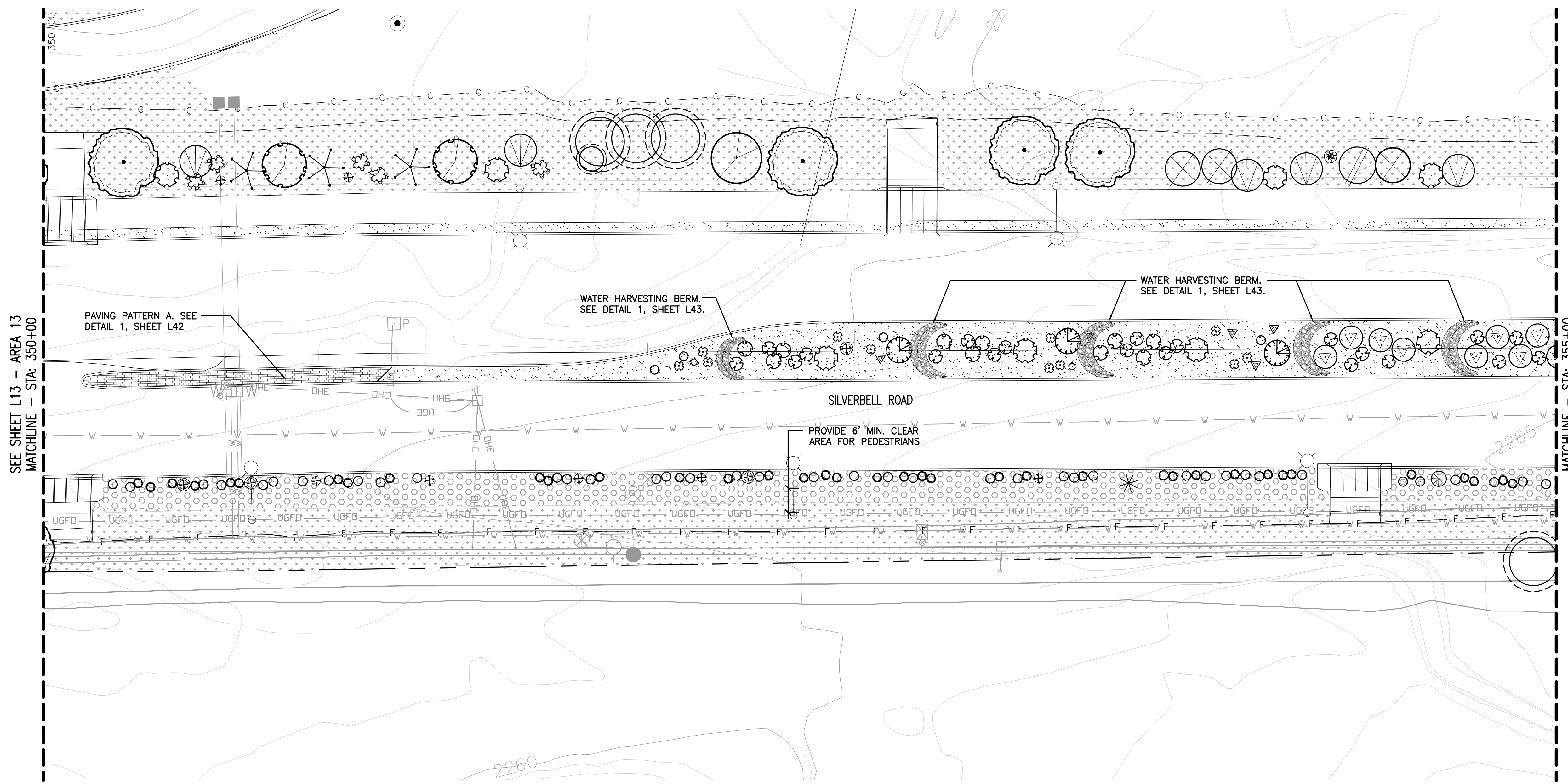
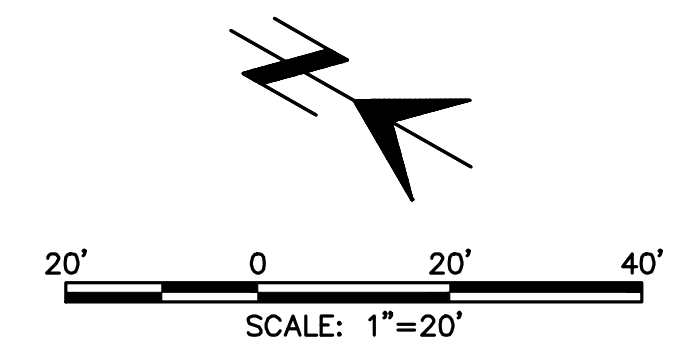
REF. SCALE: 1" = 20'

PLAN NO.

212
OF
446

Two working days before you dig,
CALL FOR THE BLUE STAKES
1-800-782-5348

DATE\$
FILE\$



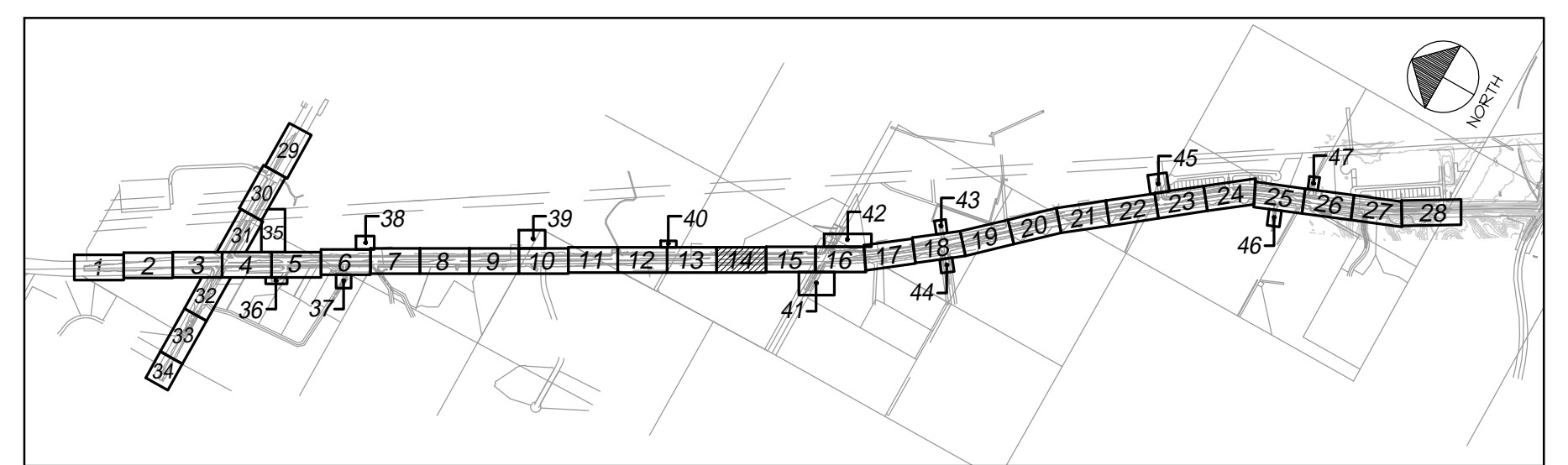
LANDSCAPE LEGEND	
	SIGHT VISIBILITY TRIANGLE
INORGANIC SURFACING	
	DECOMPOSED GRANITE SURFACING
	CONCRETE MEDIAN PAVING
	ROCK MULCH TYPE A
	SLOPE TREATMENT ROCK MULCH TYPE B
	FLEXIMAT SURFACING TO BE HYDROSEEDDED WITH LOW-GROW SEED MIX
HYDROSEED MIX	
	AREA TO BE HYDROSEEDDED
	AREA TO BE HYDROSEEDDED WITH APPROVED LOW-GROW MIX
PROTECTION OF NATIVE VEGETATION - PRESERVATION FENCING TO BE INSTALLED DURING DEMOLITION PHASE AND IS SHOWN ON DEMOLITION PLANS FOR BIDDING AND CONSTRUCTION. PRESERVATION OF NATIVE VEGETATION IS SHOWN ON LANDSCAPE PLANS FOR REFERENCE ONLY.	

SEE SHEET LS40 TO LS43 FOR LANDSCAPE SCHEDULE AND DETAILS

LANDSCAPE PLAN - AREA 14 - STA: 350+00 TO STA: 355+00
SCALE: 1" = 20'-0"

PLANT LEGEND	
	ACACIA CONSTRICTA WHITETHORN ACACIA
	ACACIA GREGGII CATCLAW ACACIA
	CHILOPSIS LINEARIS DESERT WILLOW
	PARKINSONIA MICROPHYLLA FOOTHILLS PALO VERDE
	PROSOPIS VELUTINA VELVET MESQUITE
LARGE SHRUBS	
	LARREA TRIDENTATA CREOSOTE BUSH
	CELTIS PALLIDA DESERT HACKBERRY
	CONDALIA WARNOCKII CONDALIA
	SIMMONDSIA CHINENSIS JOJOBA
	ZIZIPHUS OBTUSIFOLIA GRAYTHORN
SMALL SHRUBS	
	AMBROSIA DELTOIDEA TRIANGLE-LEAF BURSAGE
	ANISACANTHUS THURBERI DESERT HONESUCKLE
	ASCLEPIAS SUBULATA DESERT MILKWEED
	CALANDRIA ERIOPHYLLA FAIRY DUSTER
	DALEA PULCHRA BUSH DALEA
	ISOCOMA TENUISECTA BURROWEED
	JUSTITIA CALIFORNICA CHUPAROSA
	CASSIA (SENNA) WISLIZENII SHRUBBY SENNA
	PENSTEMON PARRYI PARRY PENSTEMON
CACTI AND ACCENTS	
	AGAVE CHRYSANTHA GOLDEN-FLOWERED AGAVE
	AGAVE PARRYI PARRY'S AGAVE
	CARNEGIEA GIGANTEA SAGUARO
	ECHINOCEREUS ENGELMANNII HEDGEHOG CACTUS
	FEROCACTUS WISLIZENII FISHHOOK BARREL
	FOUQUIERIA SPLENDENS OCOTILLO
	HESPERALOE PARVIFLORA RED YUCCA
	OPUNTIA BASILARIS BEAVERTAIL PRICKLY PEAR
	OPUNTIA SANTA-RITA PURPLE PRICKLY PEAR
	PENIOCIEREUS GREGGII NIGHT BLOOMING CERESUS
	YUCCA BACCATA BANANA YUCCA
	YUCCA ELATA SOAPTREE YUCCA
	TREE TO BE PRESERVED IN PLACE
	SHRUB TO BE PRESERVED IN PLACE
	CACTUS TO BE PRESERVED IN PLACE

NOTE: DASHED LINE AROUND PLANT SYMBOL INDICATES SALVAGED PLANT



AREA KEY MAP
SCALE: N.T.S.

L14 OF L43



DEPARTMENT OF TRANSPORTATION/ENGINEERING DIVISION

SILVERBELL ROAD
EL CAMINO DEL CERRO TO GORET ROAD
L14 LANDSCAPE PLAN - AREA 14

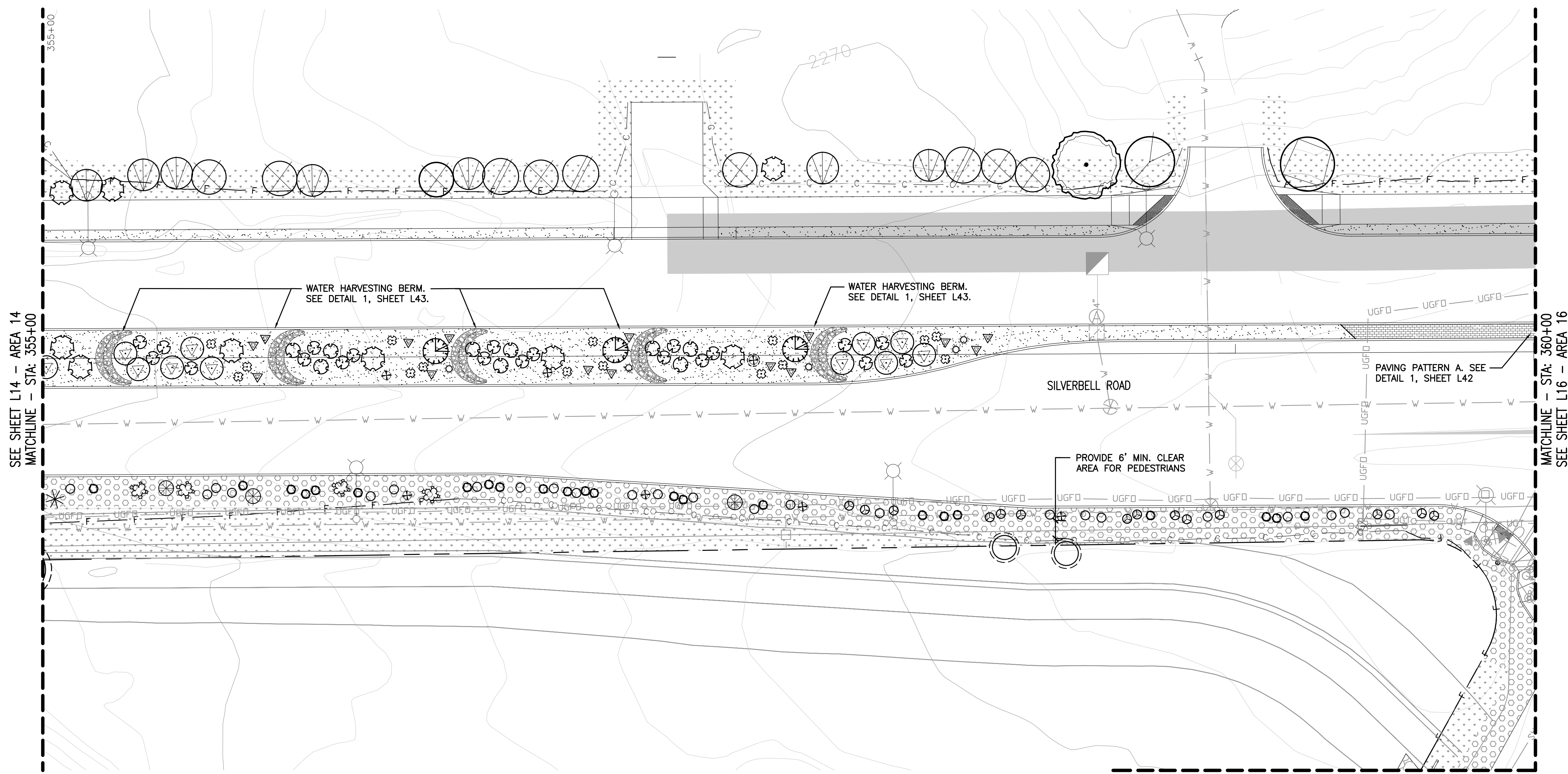
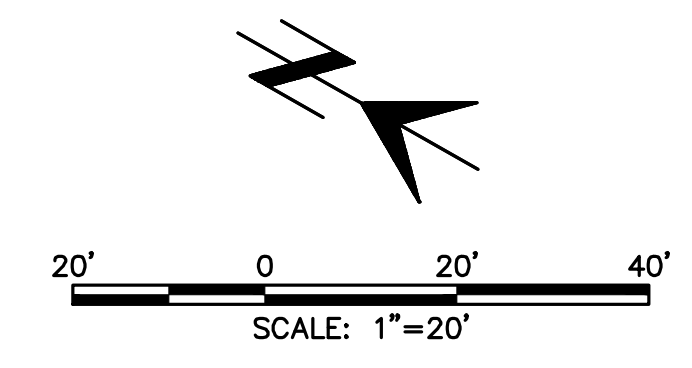
NO.	DATE	REVISION	BY	CHKD.	APPR.

PRELIMINARY
100%
REVIEW
NOT FOR
CONSTRUCTION
OR RECORDING

Approvals	Signatory	Date	Approved
			20
			214
			OF
			446
			TRANSPORTATION DIRECTOR
			REF. SCALE: 1" = 20'
			PLAN NO.

Two working days before you dig,
CALL FOR THE BLUE STAKES
1-800-782-5348

DATE \$
FILE \$



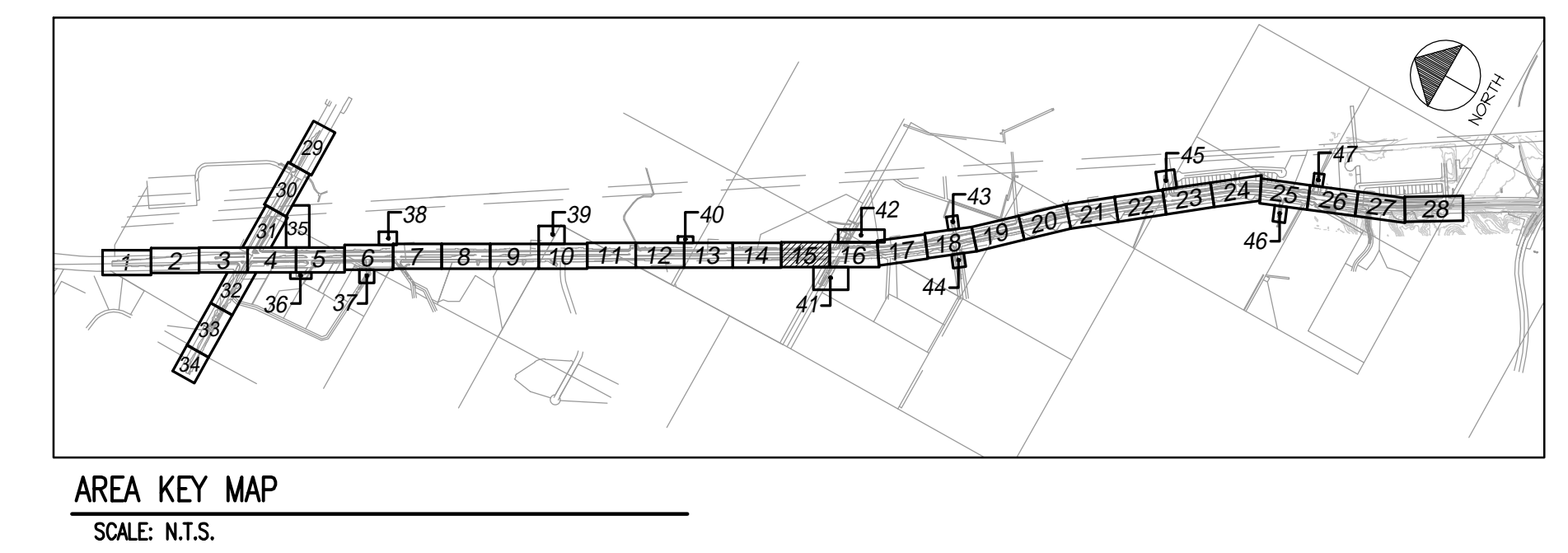
LANDSCAPE LEGEND	
	SIGHT VISIBILITY TRIANGLE
INORGANIC SURFACING	
	DECOMPOSED GRANITE SURFACING
	CONCRETE MEDIAN PAVING
	ROCK MULCH TYPE A
	SLOPE TREATMENT ROCK MULCH TYPE B
	FLEXIMAT SURFACING TO BE HYDROSEEDED WITH LOW-GROW SEED MIX
HYDROSEED MIX	
	AREA TO BE HYDROSEEDED
	AREA TO BE HYDROSEEDED WITH APPROVED LOW-GROW MIX
PROTECTION OF NATIVE VEGETATION - PRESERVATION FENCING TO BE INSTALLED DURING DEMOLITION PHASE AND IS SHOWN ON DEMOLITION PLANS FOR BIDDING AND CONSTRUCTION. PRESERVATION OF NATIVE VEGETATION IS SHOWN ON LANDSCAPE PLANS FOR REFERENCE ONLY.	

SEE SHEET LS40 TO LS43 FOR LANDSCAPE SCHEDULE AND DETAILS

LANDSCAPE PLAN - AREA 15 - STA: 355+00 TO STA: 360+00
SCALE: 1" = 20'-0"

PLANT LEGEND		TREES		SHRUBS		CACTI AND ACCENTS		PRESERVED IN PLACE	
	ACACIA CONSTRICTA WHITETHORN ACACIA		PARKINSONIA MICROPHYLLA FOOTHILLS PALO VERDE		LARREA TRIDENTATA CREOSOTE BUSH		AMBROSIA DELTOIDEA TRIANGLE-LEAF BURSAGE		AGAVE CHRYSANTHA GOLDEN-FLOWERED AGAVE
	ACACIA GREGGII CATCLAW ACACIA		PROSOPIS VELUTINA VELVET MESQUITE		CELTIS PALLIDA DESERT HACKBERRY		ANISACANTHUS THURBERI DESERT HONESUCKLE		AGAVE PARRYI PARRY'S AGAVE
	CHILOPSIS LINEARIS DESERT WILLOW		CONDALIA WARNOCKII CONDALIA		ASCLEPIAS SUBULATA DESERT MILKWEED		CARNEGIEA GIGANTEA SAGUARO		OPUNTIA BASILARIS BEAVERTAIL PRICKLY PEAR
			SIMMONDSIA CHINENSIS JOJOBA		CALLIANDRA ERIOPHYLLA FAIRY DUSTER		ECHINOCEREUS ENGELMANNII HEDGEHOG CACTUS		OPUNTIA SANTA-RITA PURPLE PRICKLY PEAR
			ZIZIPHUS OBTUSIFOLIA GRAYTHORN		DALEA PULCHRA BUSH DALEA		FOUQUIERIA SPLENDENS OCOTILLO		PENIOCEREUS GREGGII NIGHT BLOOMING CEREUS
					JUSTITIA CALIFORNICA CHUPAROSA		YUCCA BACCATA BANANA YUCCA		YUCCA ELATA SOAPTREE YUCCA
					CASSIA (SENNA) WISLIZENII SHRUBBY SENNA				TREE TO BE PRESERVED IN PLACE
					PENSTEMON PARRYI PARRY PENSTEMON				SHRUB TO BE PRESERVED IN PLACE
									CACTUS TO BE PRESERVED IN PLACE

NOTE: DASHED LINE AROUND PLANT SYMBOL INDICATES SALVAGED PLANT



L15 OF L43

McGann & Associates
Landscape Architects and Planners
8814 North Oracle Road, Suite 210, Tucson AZ 85704



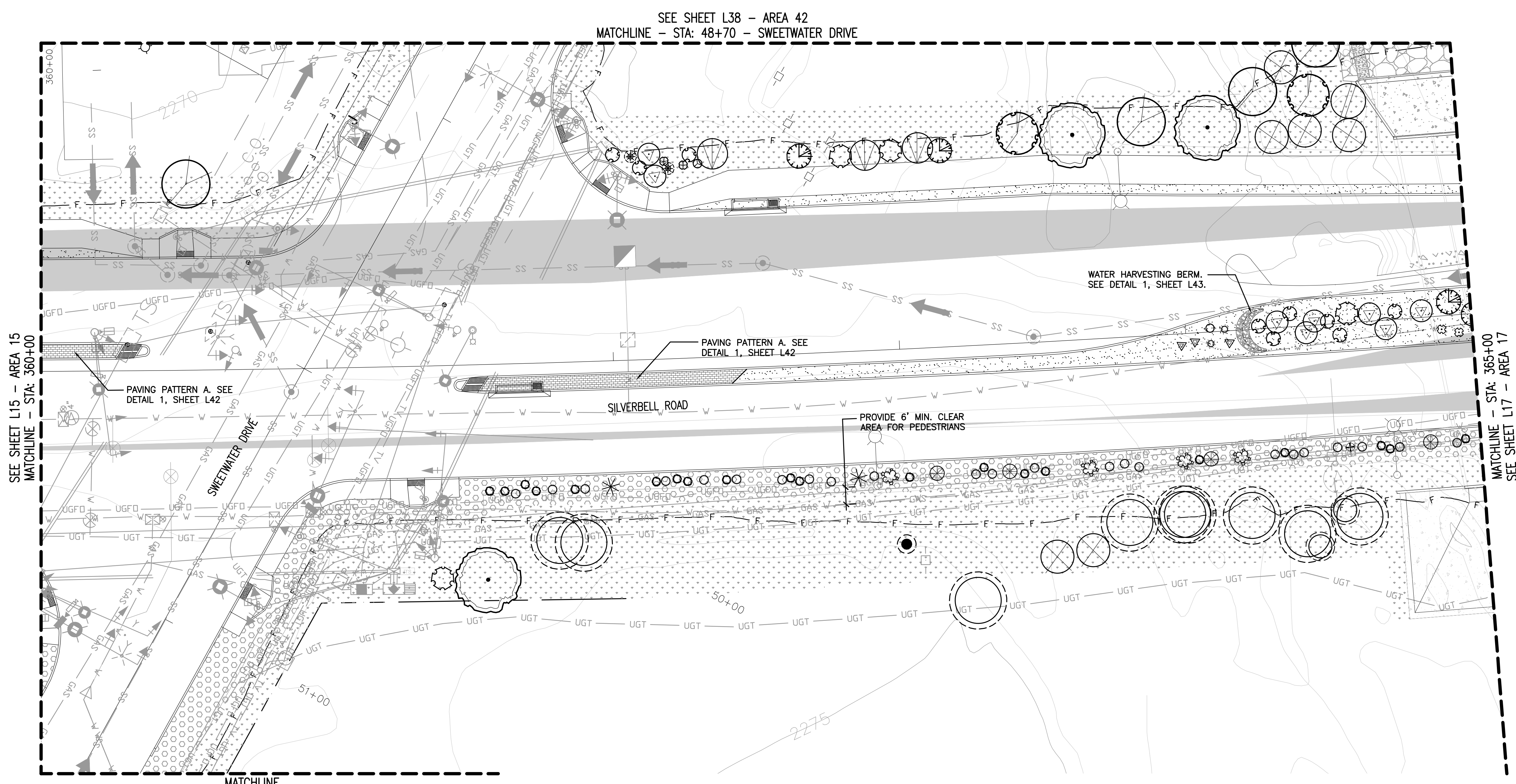
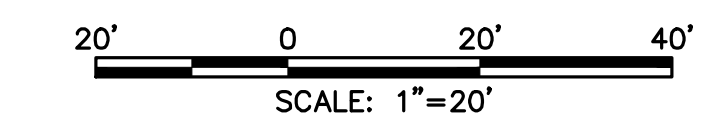
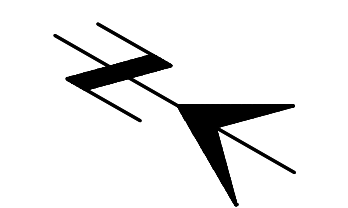
DEPARTMENT OF TRANSPORTATION/ENGINEERING DIVISION

SILVERBELL ROAD
EL CAMINO DEL CERRO TO GORET ROAD
L15 LANDSCAPE PLAN - AREA 15

PRELIMINARY 100% REVIEW NOT FOR CONSTRUCTION OR RECORDING	Approvals	Signatory	Date	Approved _____ 20__	215 OF 446	
				TRANSPORTATION DIRECTOR		
				REF. _____		
				SCALE: 1" = 20'		
NO.	DATE	REVISION	BY	CHKD.	APPR.	PLAN NO.

Two working days before you dig,
CALL FOR THE BLUE STAKES
1-800-782-5348

DATE \$
FILE \$



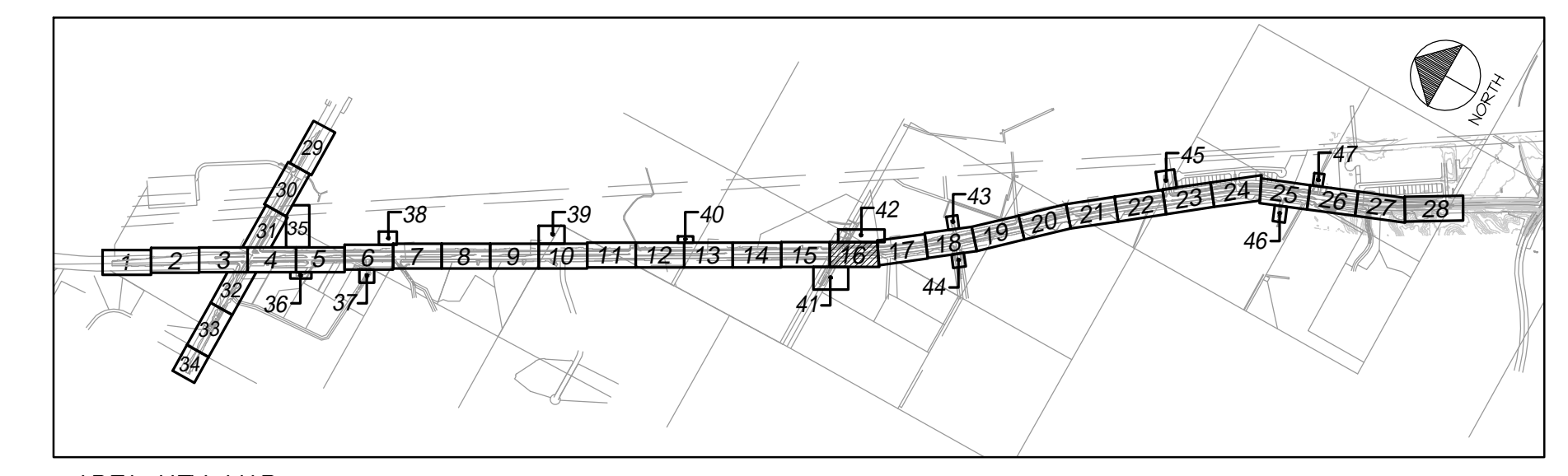
LANDSCAPE LEGEND	
	SIGHT VISIBILITY TRIANGLE
INORGANIC SURFACING	
	DECOMPOSED GRANITE SURFACING
	CONCRETE MEDIAN PAVING
	ROCK MULCH TYPE A
	SLOPE TREATMENT ROCK MULCH TYPE B
	FLEXIMAT SURFACING TO BE HYDROSEEDED WITH LOW-GROW SEED MIX
HYDROSEED MIX	
	AREA TO BE HYDROSEEDED
	AREA TO BE HYDROSEEDED WITH APPROVED LOW-GROW MIX
PROTECTION OF NATIVE VEGETATION - PRESERVATION FENCING TO BE INSTALLED DURING DEMOLITION PHASE AND IS SHOWN ON DEMOLITION PLANS FOR BIDDING AND CONSTRUCTION. PRESERVATION OF NATIVE VEGETATION IS SHOWN ON LANDSCAPE PLANS FOR REFERENCE ONLY.	

SEE SHEET LS40 TO LS43 FOR LANDSCAPE SCHEDULE AND DETAILS

LANDSCAPE PLAN - AREA 16 - STA: 360+00 TO STA: 365+00
SCALE: 1" = 20'-0"

PLANT LEGEND	
	ACACIA CONSTRICTA WHITETHORN ACACIA
	ACACIA GREGGII CATCLAW ACACIA
	CHILOPSIS LINEARIS DESERT WILLOW
	PARKINSONIA MICROPHYLLA FOOTHILLS PALO VERDE
	PROSOPIS VELITINA VELVET MESQUITE
	LARREA TRIDENTATA CREOSOTE BUSH
	CELTIS PALLIDA DESERT HACKBERRY
	CONDALIA WARNOCKII CONDALIA
	SIMMONDSIA CHINENSIS JUOBA
	ZIZIPHUS OBTUSIFOLIA GRAYTHORN
	AMBROSIA DELTOIDEA TRIANGLE-LEAF BURSAGE
	ANISACANTHUS THURBERI DESERT HONESUCKLE
	ASCLEPIAS TUBEROSA DESERT MILKWEED
	CALLIANDRA ERIOPHYLLA FAIRY DUSTER
	DALEA PULCHRA BUSH DALEA
	ISOCOMA TENUISECTA BURROWEED
	JUSTITIA CALIFORNICA CHUPAROSA
	CASSIA (SENNA) WISLIZENII SHRUBBY SENNA
	PENSTEMON PARRYI PARRY PENSTEMON
	AGAVE CHRYSANTHA GOLDEN-FLOWERED AGAVE
	AGAVE PARRYI PARRY'S AGAVE
	CARNEGIEA GIGANTEA SAGUARO
	ECHINOCEREUS ENGELMANNII HEDGEHOG CACTUS
	FEROCACTUS WISLIZENII FISHHOOK BARREL
	FOUQUIERIA SPLENDENS OCOTILLO
	HESPERALOE PARVIFLORA RED YUCCA
	OPUNTIA BASILARIS BEAVERTAIL PRICKLY PEAR
	OPUNTIA SANTA-RITA PURPLE PRICKLY PEAR
	PENIOCIEREUS GREGGII NIGHT-BLOOMING CERESUS
	YUCCA BACCATA BANANA YUCCA
	YUCCA ELATA SOAPTREE YUCCA
	TREE TO BE PRESERVED IN PLACE
	SHRUB TO BE PRESERVED IN PLACE
	CACTUS TO BE PRESERVED IN PLACE

NOTE: DASHED LINE AROUND PLANT SYMBOL INDICATES SALVAGED PLANT



AREA KEY MAP
SCALE: N.T.S.

L16 OF L43



DEPARTMENT OF TRANSPORTATION/ENGINEERING DIVISION

SILVERBELL ROAD
EL CAMINO DEL CERRO TO GORET ROAD
L16 LANDSCAPE PLAN - AREA 16

NO.	DATE	REVISION	BY	CHKD.	APPR.

PRELIMINARY
100%
REVIEW
NOT FOR
CONSTRUCTION
OR RECORDING

Approvals	Signatory	Date	Approved
			20__

TRANSPORTATION DIRECTOR

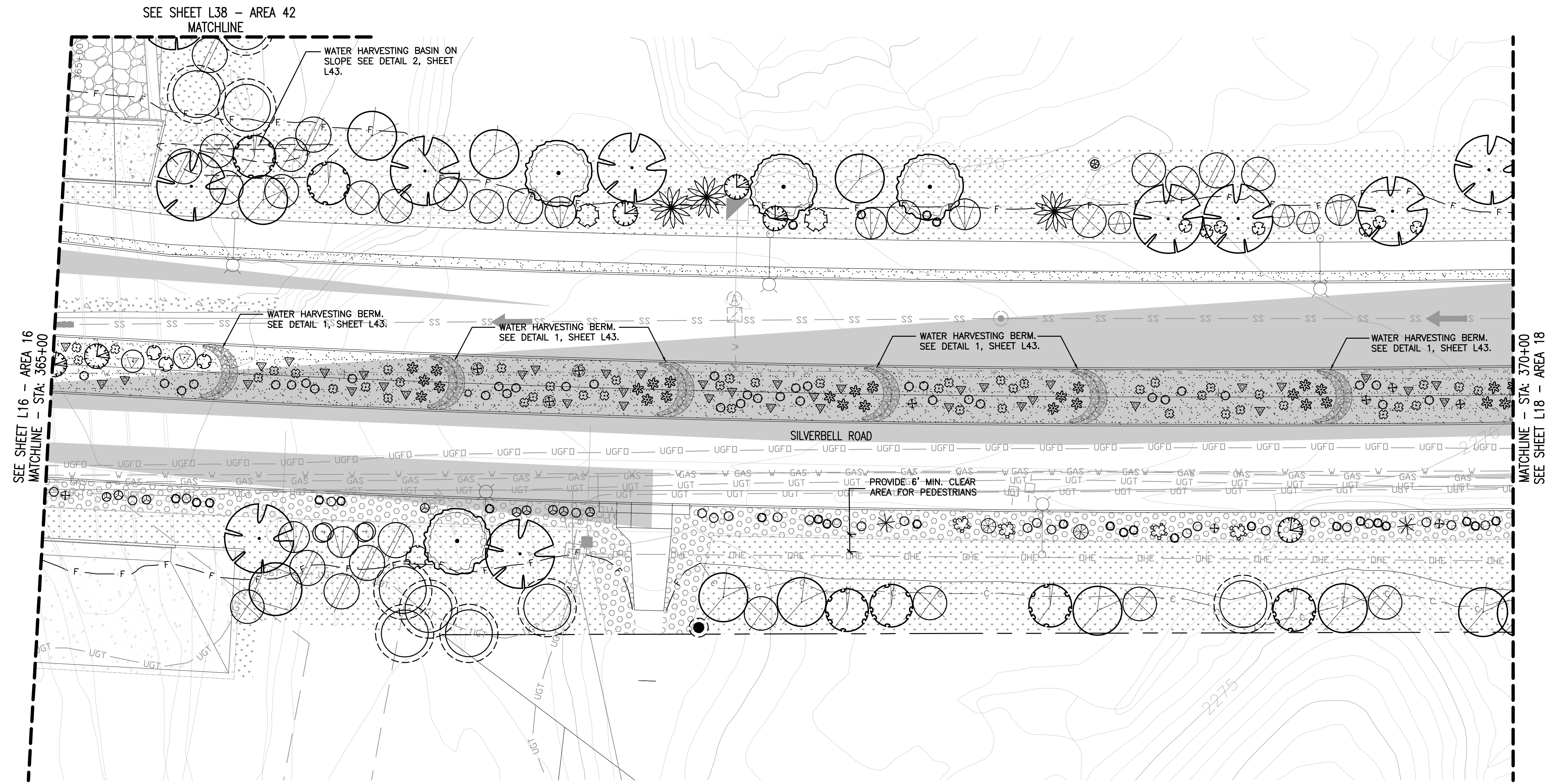
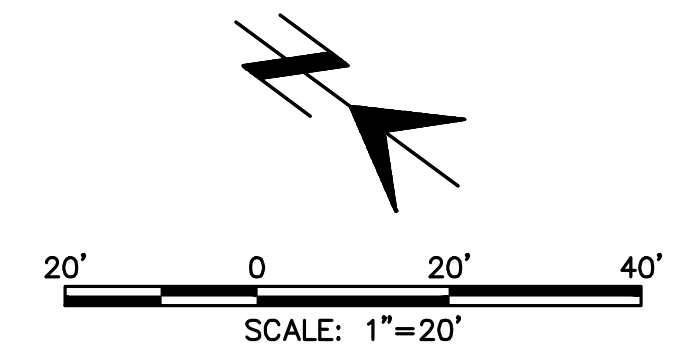
REF. SCALE: 1" = 20'

PLAN NO. _____

216
OF
446

Two working days before you dig,
CALL FOR THE BLUE STAKES
1-800-782-5348

DATE\$
FILE\$



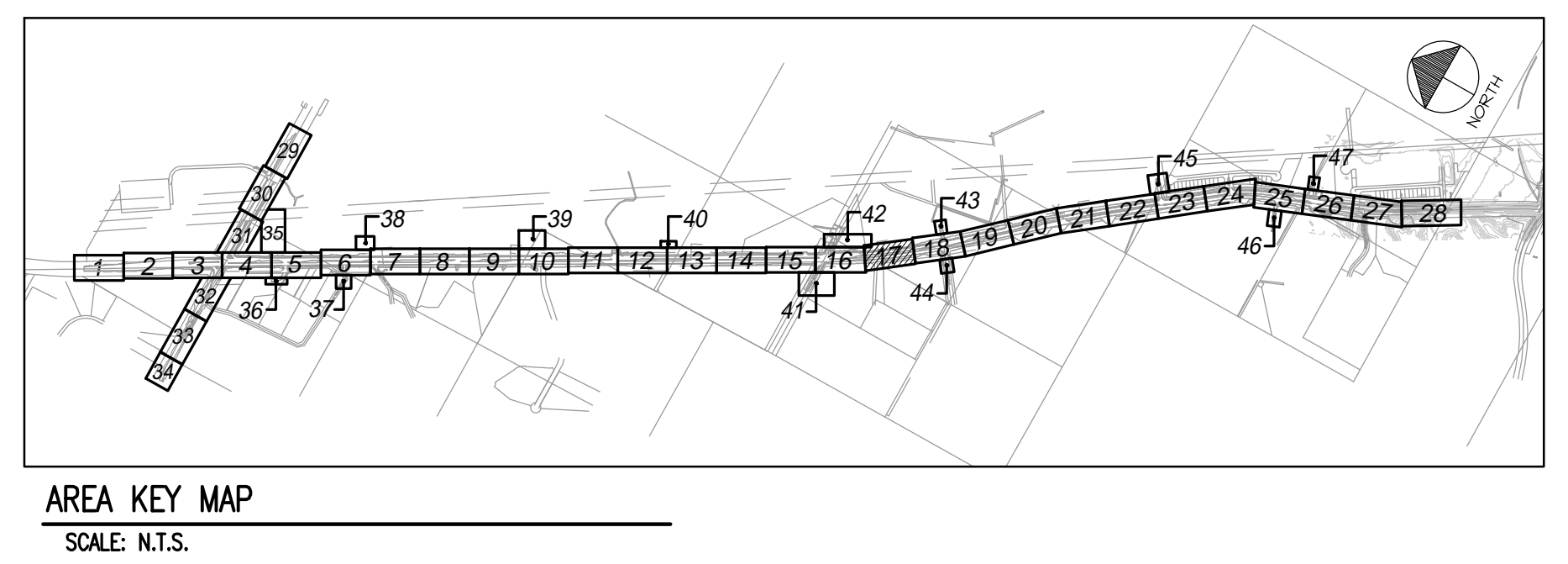
LANDSCAPE LEGEND	
	SIGHT VISIBILITY TRIANGLE
INORGANIC SURFACING	
	DECOMPOSED GRANITE SURFACING
	CONCRETE MEDIAN PAVING
	ROCK MULCH TYPE A
	SLOPE TREATMENT ROCK MULCH TYPE B
	FLEXIMAT SURFACING TO BE HYDROSEEDED WITH LOW-GROW SEED MIX
HYDROSEED MIX	
	AREA TO BE HYDROSEEDED
	AREA TO BE HYDROSEEDED WITH APPROVED LOW-GROW MIX
PROTECTION OF NATIVE VEGETATION - PRESERVATION FENCING TO BE INSTALLED DURING DEMOLITION PHASE AND IS SHOWN ON DEMOLITION PLANS FOR BIDDING AND CONSTRUCTION. PRESERVATION OF NATIVE VEGETATION IS SHOWN ON LANDSCAPE PLANS FOR REFERENCE ONLY.	

SEE SHEET LS40 TO LS43 FOR LANDSCAPE SCHEDULE AND DETAILS

LANDSCAPE PLAN - AREA 17 - STA: 365+00 TO STA: 370+00
SCALE: 1" = 20'-0"

PLANT LEGEND	
	ACACIA CONSTRICTA WHITETHORN ACACIA
	ACACIA GREGGII CATCLAW ACACIA
	CHILOPSIS LINEARIS DESERT WILLOW
	PARKINSONIA MICROPHYLLA FOOTHILLS PALO VERDE
	PROSOPIS VELUTINA VELVET MESQUITE
LARGE SHRUBS	
	LARREA TRIDENTATA CREOSOTE BUSH
	CELTIS PALLIDA DESERT HACKBERRY
	CONDALIA WAINCOCKII CONDALIA
	SIMMONDSIA CHINENSIS JOJOBA
	ZIZIPHUS OBTUSIFOLIA GRAYTHORN
SMALL SHRUBS	
	AMBROSIA DELTOIDEA TRIANGLE-LEAF BURSAGE
	ANISACANTHUS THURBERI DESERT MONESUCKLE
	ASCLEPIAS SUBULATA DESERT MILKWEED
	CALLANDREA ERIOPHYLLA FAIRY DUSTER
	DALEA PULCHRA BUSH DALEA
	ISOCOMA TENUISECTA BURROWEED
	JUSTITIA CALIFORNICA CHUPAROSA
	CASSIA (SENNA) WISLIZENII SHRUBBY SENNA
	PENSTEMON PARRYI PARRY PENSTEMON
CACTI AND AGAVES	
	AGAVE CHRYSANTHA GOLDEN-FLOWERED AGAVE
	AGAVE PARRYI PARRY'S AGAVE
	CARNEGIEA GIGANTEA SAGUARO
	ECHINOCEREUS ENGELMANNII HEDGEHOG CACTUS
	FEROCACTUS WISLIZENII FISHHOOK BARREL
	FOUQUIERIA SPLENDENS OCOTILLO
	HESPERALOE PARVIFLORA RED YUCCA
	OPUNTIA BASILARIS BEAVERTAIL PRICKLY PEAR
	OPUNTIA SANTA-RITA PURPLE PRICKLY PEAR
	PENIOCIEREUS GREGGII NIGHT BLOOMING CEREUS
	YUCCA BACCATA BANANA YUCCA
	YUCCA ELATA SOAPTREE YUCCA
	TREE TO BE PRESERVED IN PLACE
	SHRUB TO BE PRESERVED IN PLACE
	CACTUS TO BE PRESERVED IN PLACE

NOTE: DASHED LINE AROUND PLANT SYMBOL INDICATES SALVAGED PLANT



AREA KEY MAP
SCALE: N.T.S.

L17 OF L43

McGann & Associates
Landscape Architects and Planners
8814 North Oracle Road, Suite 210, Tucson AZ 85718



DEPARTMENT OF TRANSPORTATION/ENGINEERING DIVISION

SILVERBELL ROAD
EL CAMINO DEL CERRO TO GORET ROAD
L17 LANDSCAPE PLAN - AREA 17

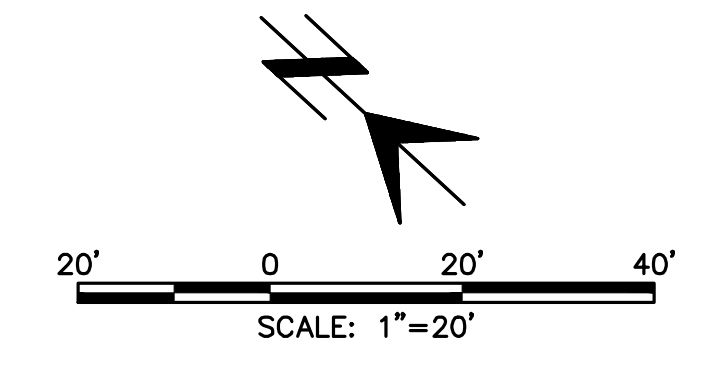
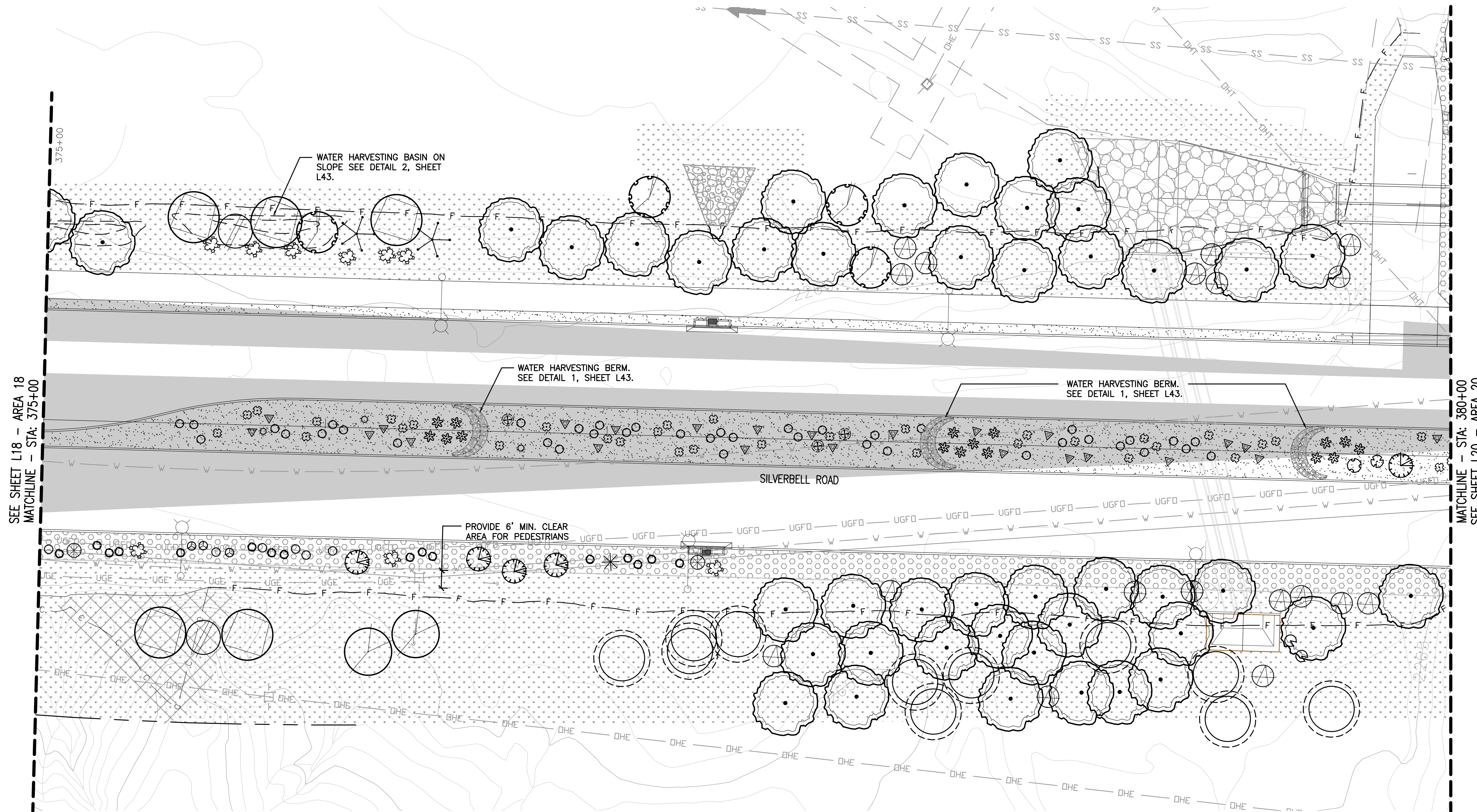
NO.	DATE	REVISION	BY	CHKD.	APPR.

PRELIMINARY
100%
REVIEW
NOT FOR
CONSTRUCTION
OR RECORDING

Approvals	Signatory	Date	Approved	217
				OF
				446
				TRANSPORTATION DIRECTOR
				REF. SCALE: 1" = 20'
				PLAN NO.

Two working days before you dig,
CALL FOR THE BLUE STAKES
1-800-782-5348

DATE\$
FILE\$



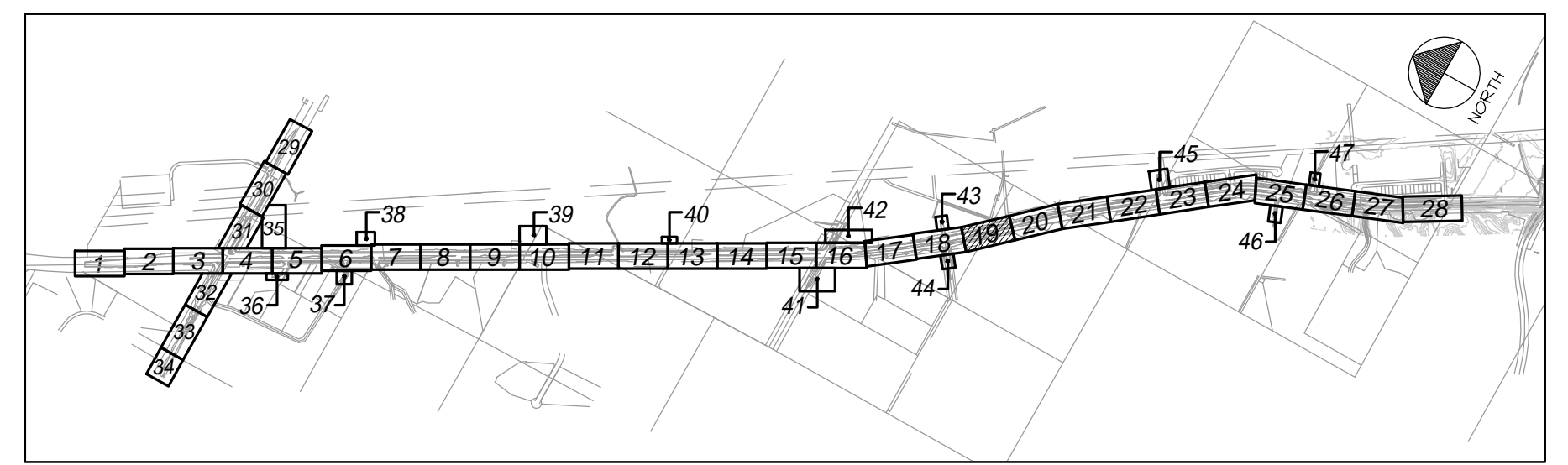
LANDSCAPE LEGEND	
	SIGHT VISIBILITY TRIANGLE
INORGANIC SURFACING	
	DECOMPOSED GRANITE SURFACING
	CONCRETE MEDIAN PAVING
	ROCK MULCH TYPE A
	ROCK MULCH TYPE B
	FLEXIMAT SURFACING TO BE HYDROSEEDED WITH LOW-GROW SEED MIX
HYDROSEED MIX	
	AREA TO BE HYDROSEEDED
	AREA TO BE HYDROSEEDED WITH APPROVED LOW-GROW MIX
PROTECTION OF NATIVE VEGETATION - PRESERVATION FENCING TO BE INSTALLED DURING DEMOLITION PHASE AND IS SHOWN ON DEMOLITION PLANS FOR BIDDING AND CONSTRUCTION. PRESERVATION OF NATIVE VEGETATION IS SHOWN ON LANDSCAPE PLANS FOR REFERENCE ONLY.	

SEE SHEET LS40 TO LS43 FOR LANDSCAPE SCHEDULE AND DETAILS

LANDSCAPE PLAN - AREA 19 - STA: 375+00 TO STA: 380+00
SCALE: 1" = 20'-0"

PLANT LEGEND	
	ACACIA CONSTRICTA WHITETHORN ACACIA
	ACACIA GREGGII CATCLAW ACACIA
	CHILOPSIS LINEARIS DESERT WILLOW
	PARKINSONIA MICROPHYLLA FOOTHILLS PALO VERDE
	PROSOPIS VELITINA VELVET MESQUITE
	LARREA TRIDENTATA CREOSOTE BUSH
	CELTIS PALLIDA DESERT HACKBERRY
	CONDALIA WERNOCKII CONDALIA
	SIMMONDSIA CHINENSIS JUGOBA
	ZIZIPHUS OBTUSIFOLIA GRAYTHORN
	AMBROSIA DELTOIDEA TRIANGLE-LEAF BURSAGE
	ANISACANTHUS THURBERI DESERT HONESUCKLE
	ASCLEPIAS SUBULATA DESERT MILKWEED
	CALLIANDRA ERIOPHYLLA FAIRY DUSTER
	DALEA PULCHRA BUSH DALEA
	ISOCOMA TENUISECTA BURROWEED
	JUSTITIA CALIFORNICA CHUPAROSA
	CASSIA (SENNA) WISLIZENII SHRUBBY SENNA
	PENSTEMON PARRYI PARRY PENSTEMON
	AGAVE CHRYSANTHA GOLDEN-FLOWERED AGAVE
	AGAVE PARRYI PARRY'S AGAVE
	CARNEGIEA GIGANTEA SAGUARO
	ECHINOCEREUS ENGELMANNII HEDGEHOG CACTUS
	FEROACTUS WISLIZENII FISHHOOK BARREL
	FOUQUIERIA SPLENDENS OCOTILLO
	HESPERALOE PARVIFLORA RED YUCCA
	OPUNTIA BASILARIS BEAVERTAIL PRICKLY PEAR
	OPUNTIA SANTA-RITA PURPLE PRICKLY PEAR
	PENIOCIEREUS GREGGII NIGHT BLOOMING CERUS
	YUCCA BACCATA BANANA YUCCA
	YUCCA ELATA SOAPTREE YUCCA
	TREE TO BE PRESERVED IN PLACE
	SHRUB TO BE PRESERVED IN PLACE
	CACTUS TO BE PRESERVED IN PLACE

NOTE: DASHED LINE AROUND PLANT SYMBOL INDICATES SALVAGED PLANT



AREA KEY MAP
SCALE: N.T.S.

L19 OF L43



DEPARTMENT OF TRANSPORTATION/ENGINEERING DIVISION

SILVERBELL ROAD
EL CAMINO DEL CERRO TO GORET ROAD
L19 LANDSCAPE PLAN - AREA 19

NO.	DATE	REVISION	BY	CHKD.	APPR.

PRELIMINARY
100%
REVIEW
NOT FOR
CONSTRUCTION
OR RECORDING

Approvals	Signatory	Date

Approved _____ 20__

TRANSPORTATION DIRECTOR

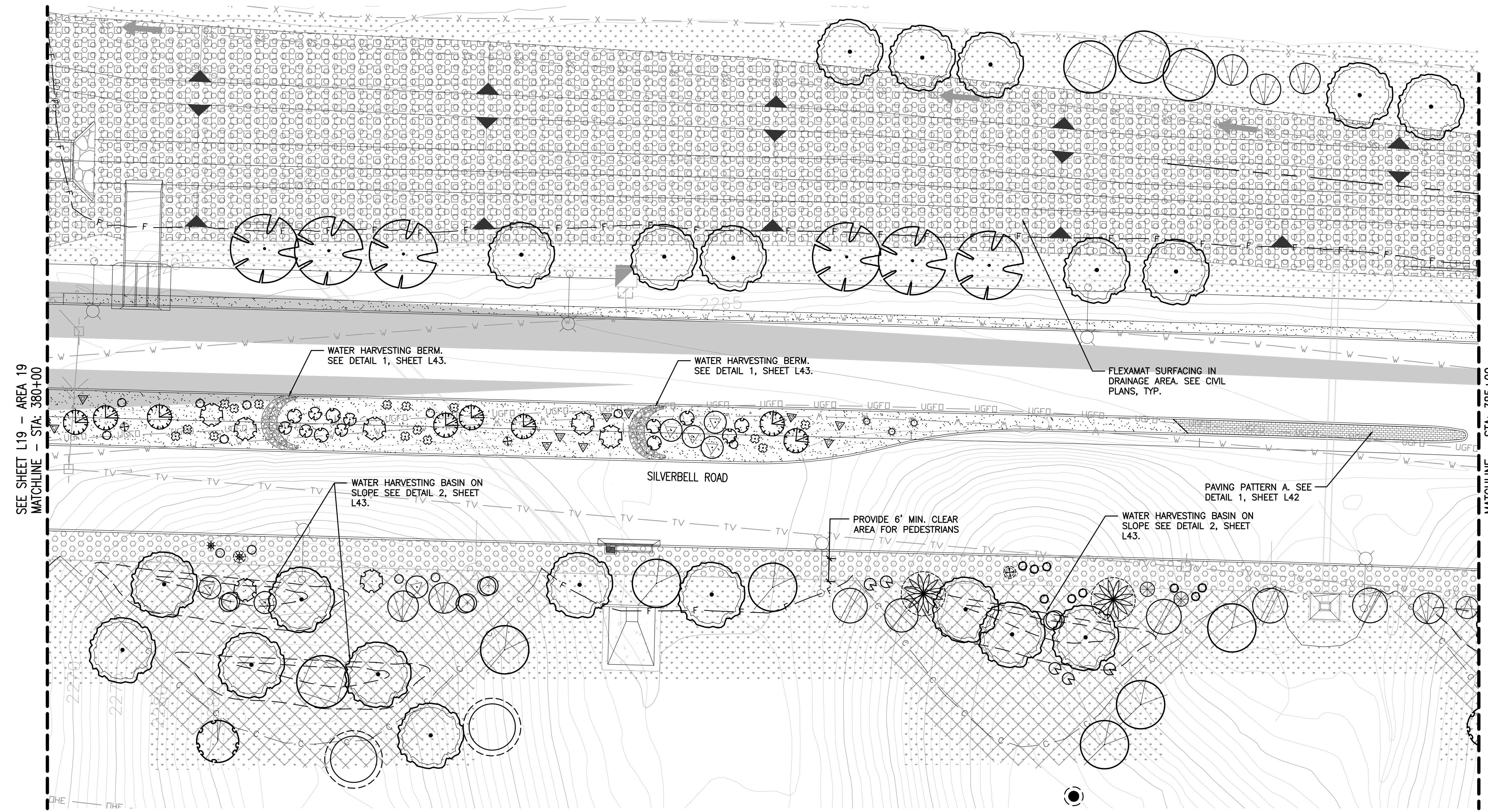
REF. _____ SCALE: 1" = 20'

PLAN NO. _____

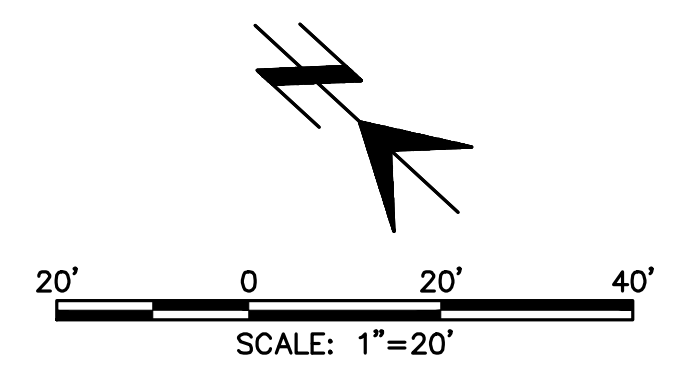
219
OF
446

Two working days before you dig,
CALL FOR THE BLUE STAKES
1-800-782-5348

DATE\$
FILE\$



LANDSCAPE PLAN - AREA 20 - STA: 380+00 TO STA: 385+00
SCALE: 1" = 20'-0"

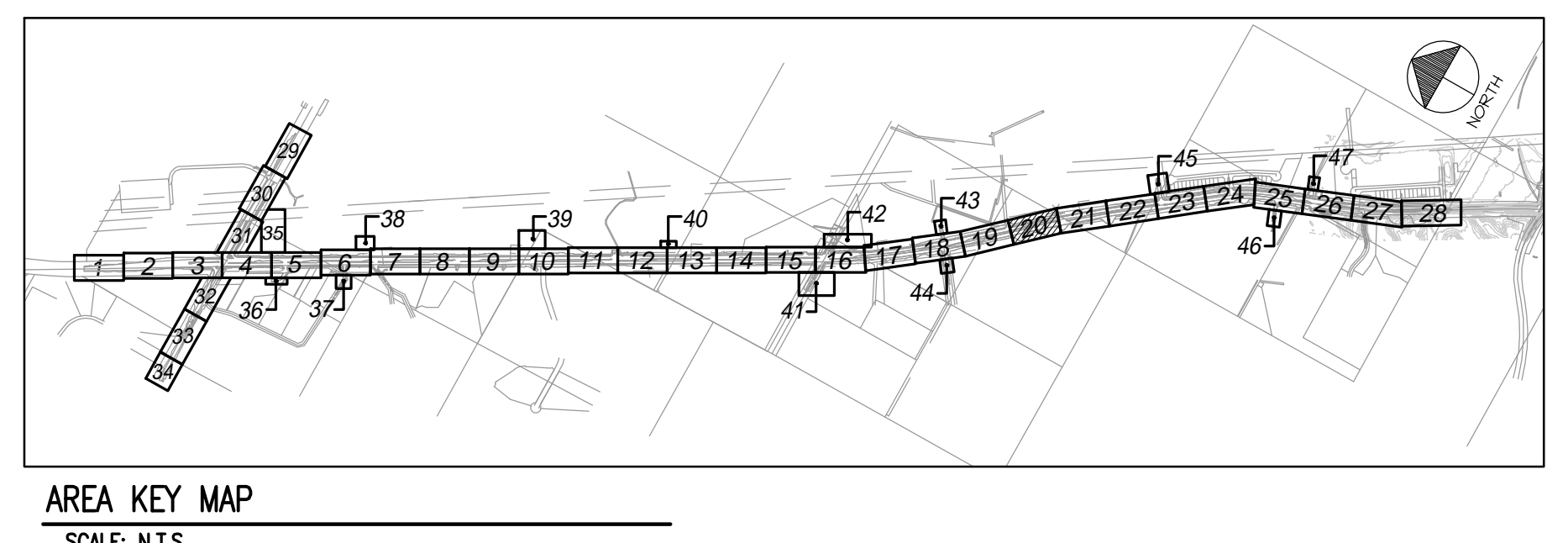


LANDSCAPE LEGEND	
	SIGHT VISIBILITY TRIANGLE
INORGANIC SURFACING	
	DECOMPOSED GRANITE SURFACING
	CONCRETE MEDIAN PAVING
	ROCK MULCH TYPE A
	ROCK MULCH TYPE B
	FLEXAMAT SURFACING TO BE HYDROSEEDED WITH LOW-GROW SEED MIX
HYDROSEED MIX	
	AREA TO BE HYDROSEEDED
	AREA TO BE HYDROSEEDED WITH APPROVED LOW-GROW MIX
PROTECTION OF NATIVE VEGETATION - PRESERVATION FENCING TO BE INSTALLED DURING DEMOLITION PHASE AND IS SHOWN ON DEMOLITION PLANS FOR BIDDING AND CONSTRUCTION. PRESERVATION OF NATIVE VEGETATION IS SHOWN ON LANDSCAPE PLANS FOR REFERENCE ONLY.	

SEE SHEET LS40 TO LS43 FOR LANDSCAPE SCHEDULE AND DETAILS

PLANT LEGEND	
	ACACIA CONSTRICTA WHITETHORN ACACIA
	ACACIA GREGGII CATCLAW ACACIA
	CHILOPSIS LINEARIS DESERT WILLOW
	PARKINSONIA MICROPHYLLA FOOTHILLS PALO VERDE
	PROSOPIS VELITINA VELVET MESQUITE
LARGE SHRUBS	
	LARREA TRIDENTATA CREOSOTE BUSH
	CELTIS PALLIDA DESERT HACKBERRY
	CONDALIA WARNOCKII CONDALIA
	SIMMONDSIA CHINENSIS JOJOBA
	ZIZIPHUS OBTUSIFOLIA GRAYTHORN
SMALL SHRUBS	
	AMBROSIA DELTOIDEA TRIANGLE-LEAF BURSAGE
	ANISACANTHUS THURBERI DESERT HONESUCKLE
	ASCLEPIAS SUBULATA DESERT MILKWEEED
	CALLIANDRA ERIOPHYLLA FAIRY DUSTER
	DALEA PULCHRA BUSH DALEA
	ISOCOMA TENUISECTA BURROWEED
	JUSTICIA CALIFORNICA CHIPAROSA
	CASSIA (SENNA) WISLIZENII SHRUBBY SENNA
	PENSTEMON PARRYI PARRY PENSTEMON
CACTI AND ACCENTS	
	AGAVE CHRYSANTHA GOLDEN-FLOWERED AGAVE
	AGAVE PARRYI PARRY'S AGAVE
	CARNEGIEA GIGANTEA SAGUARO
	ECHINOCEREUS ENGELMANNII HEDGEHOG CACTUS
	FEROCACTUS WISLIZENII FISHHOOK BARREL
	FOUQUIERIA SPLENDENS OCOTILLO
	HESPERALOE PARVIFLORA RED YUCCA
	OPUNTIA BASILARIS BEAVERTAIL PRICKLY PEAR
	OPUNTIA SANTA-RITA PURPLE PRICKLY PEAR
	PENIOCEREUS GREGGII NIGHT BLOOMING CEREUS
	YUCCA BACCATA BANANA YUCCA
	YUCCA ELATA SOAPTREE YUCCA
	TREE TO BE PRESERVED IN PLACE
	SHRUB TO BE PRESERVED IN PLACE
	CACTUS TO BE PRESERVED IN PLACE

NOTE: DASHED LINE AROUND PLANT SYMBOL INDICATES SALVAGED PLANT



AREA KEY MAP
SCALE: N.T.S.

L20 OF L43

DEPARTMENT OF TRANSPORTATION/ENGINEERING DIVISION

SILVERBELL ROAD
EL CAMINO DEL CERRO TO GORET ROAD
L20 LANDSCAPE PLAN - AREA 20

NO.	DATE	REVISION	BY	CHKD.	APPR.

PRELIMINARY
100%
REVIEW
NOT FOR
CONSTRUCTION
OR RECORDING

Approvals	Signatory	Date	Approved
			20

TRANSPORTATION DIRECTOR

REF. SCALE: 1" = 20'

PLAN NO.

220
OF
446

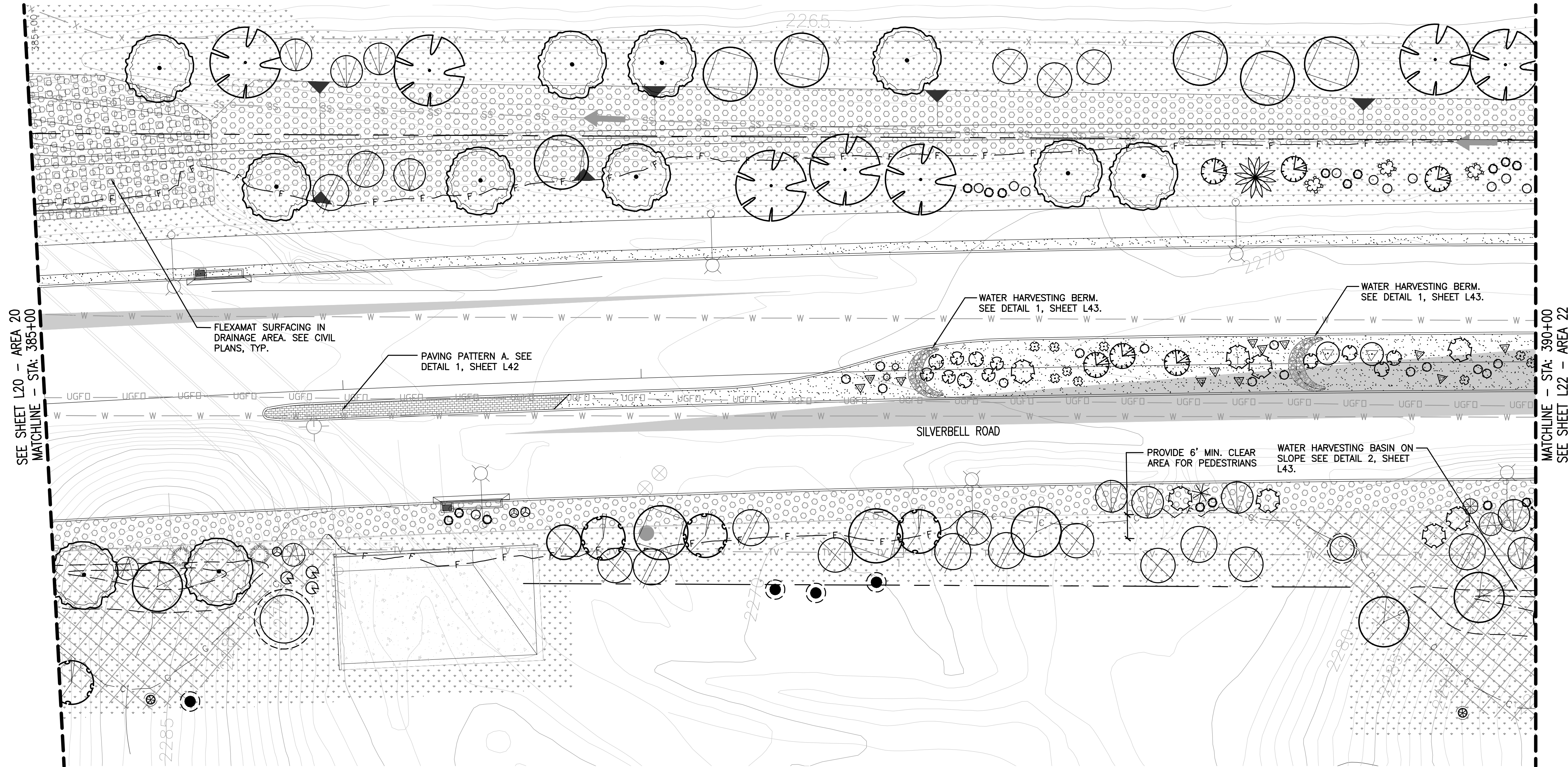
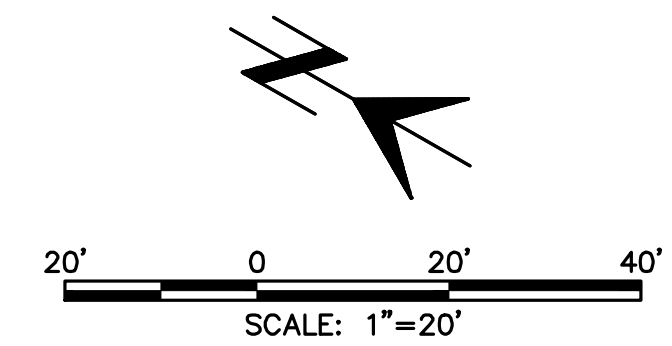
Two working days before you dig,
CALL FOR THE BLUE STAKES
1-800-782-5348

DATE \$
FILE \$

McGann & Associates
Landscape Architects and Planners
8814 North Oracle Road, Suite 210, Tucson AZ 85718



DRWN. BY P.M./M. 2018 DSSN. BY S.M. 2018 CHKD. BY J.S. 2018



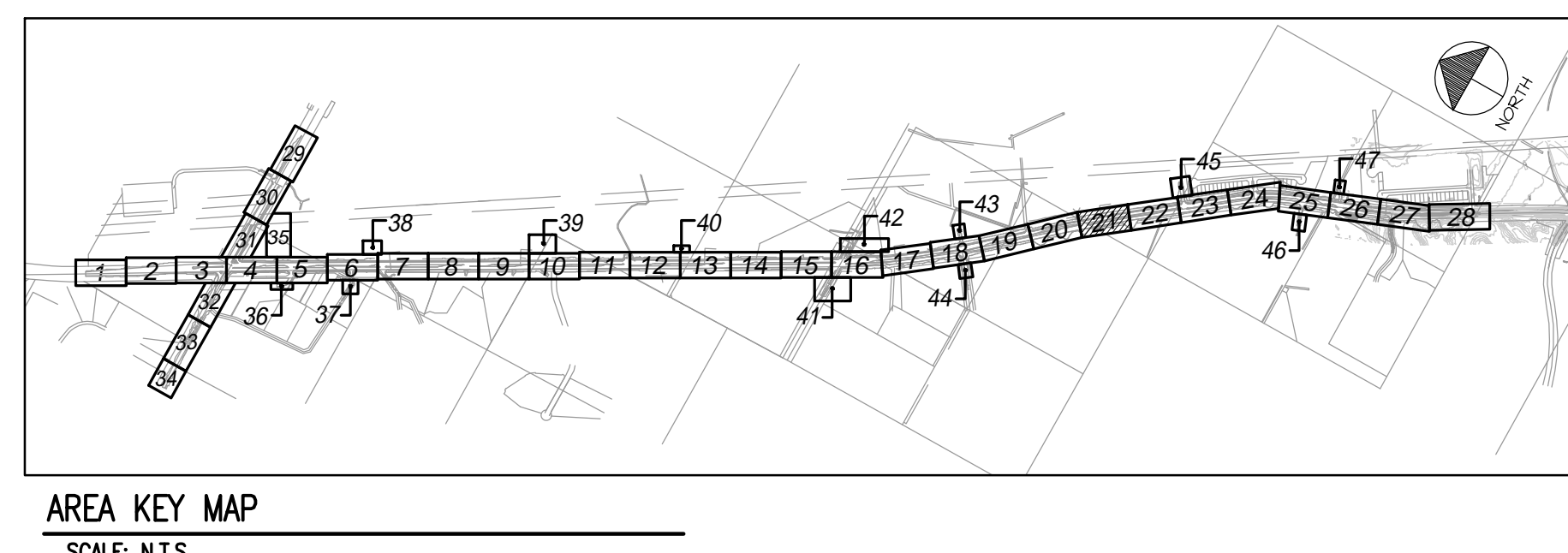
LANDSCAPE LEGEND	
	SIGHT VISIBILITY TRIANGLE
INORGANIC SURFACING	
	DECOMPOSED GRANITE SURFACING
	CONCRETE MEDIAN PAVING
	ROCK MULCH TYPE A
	SLOPE TREATMENT ROCK MULCH TYPE B
	FLEXIMAT SURFACING TO BE HYDROSEEDED WITH LOW-GROW SEED MIX
HYDROSEED MIX	
	AREA TO BE HYDROSEEDED
	AREA TO BE HYDROSEEDED WITH APPROVED LOW-GROW MIX
PROTECTION OF NATIVE VEGETATION - PRESERVATION FENCING TO BE INSTALLED DURING DEMOLITION PHASE AND IS SHOWN ON DEMOLITION PLANS FOR BIDDING AND CONSTRUCTION. PRESERVATION OF NATIVE VEGETATION IS SHOWN ON LANDSCAPE PLANS FOR REFERENCE ONLY.	

SEE SHEET LS40 TO LS43 FOR LANDSCAPE SCHEDULE AND DETAILS

LANDSCAPE PLAN - AREA 21 - STA: 385+00 TO STA: 390+00
SCALE: 1" = 20'-0"

PLANT LEGEND	
	ACACIA CONSTRICTA WHITETHORN ACACIA
	ACACIA GREGGII CATCLAW ACACIA
	CHILOPSIS LINEARIS DESERT WILLOW
	PARKINSONIA MICROPHYLLA FOOTHILLS PALO VERDE
	PROSOPIS VELUTINA VELVET MESQUITE
	LARREA TRIDENTATA CREOSOTE BUSH
	CELTIS PALLIDA DESERT HACKBERRY
	CONDALIA WARNOCKII CONDALIA
	SIMMONDSIA CHINENSIS JOJOBA
	ZIZIPHUS OBTUSIFOLIA GRAYTHORN
	AMBROSIA DELTOIDEA TRIANGLE-LEAF BURSAE
	ANISACANTHUS THURBERI DESERT HONESUCKLE
	ASCLEPIAS SURBULATA DESERT MILKWEEED
	CALANDRIA ERIOPHYLLA FAIRY DUSTER
	DALEA PULCHRA BUSH DALEA
	ISOCOMA TENUISECTA BURROWEED
	JUSTICIA CALIFORNICA CHUPAROSA
	CASSIA (SENNA) WISLIZENII SHRUBBY SENNA
	PENSTEMON PARRYI PARRY PENSTEMON
	AGAVE CHRYSANTHA GOLDEN-FLOWERED AGAVE
	AGAVE PARRYI PARRY'S AGAVE
	CARNEGIA GIGANTEA SAGUARO
	ECHINOCEREUS ENGELMANNII HEDGEHOG CACTUS
	FEROCACTUS WISLIZENII FISHHOOK BARREL
	FOUQUIERIA SPLENDENS OCOTILLO
	HESPERALOE PARVIFLORA RED YUCCA
	OPUNTIA BASILARIS BEAVERTAIL PRICKLY PEAR
	OPUNTIA SANTA-RITA PURPLE PRICKLY PEAR
	PENIOCEREUS GREGGII NIGHT-BLOOMING CERES
	YUCCA BACCATA BANANA YUCCA
	YUCCA ELATA SOAPTREE YUCCA
	TREE TO BE PRESERVED IN PLACE
	SHRUB TO BE PRESERVED IN PLACE
	CACTUS TO BE PRESERVED IN PLACE

NOTE: DASHED LINE AROUND PLANT SYMBOL INDICATES SALVAGED PLANT



L21 OF L43



DEPARTMENT OF TRANSPORTATION/ENGINEERING DIVISION

SILVERBELL ROAD
EL CAMINO DEL CERRO TO GORET ROAD
L21 LANDSCAPE PLAN - AREA 21

Approvals	Signatory	Date	Approved
			20
			446
			TRANSPORTATION DIRECTOR
			REF. SCALE: 1" = 20'
			PLAN NO.

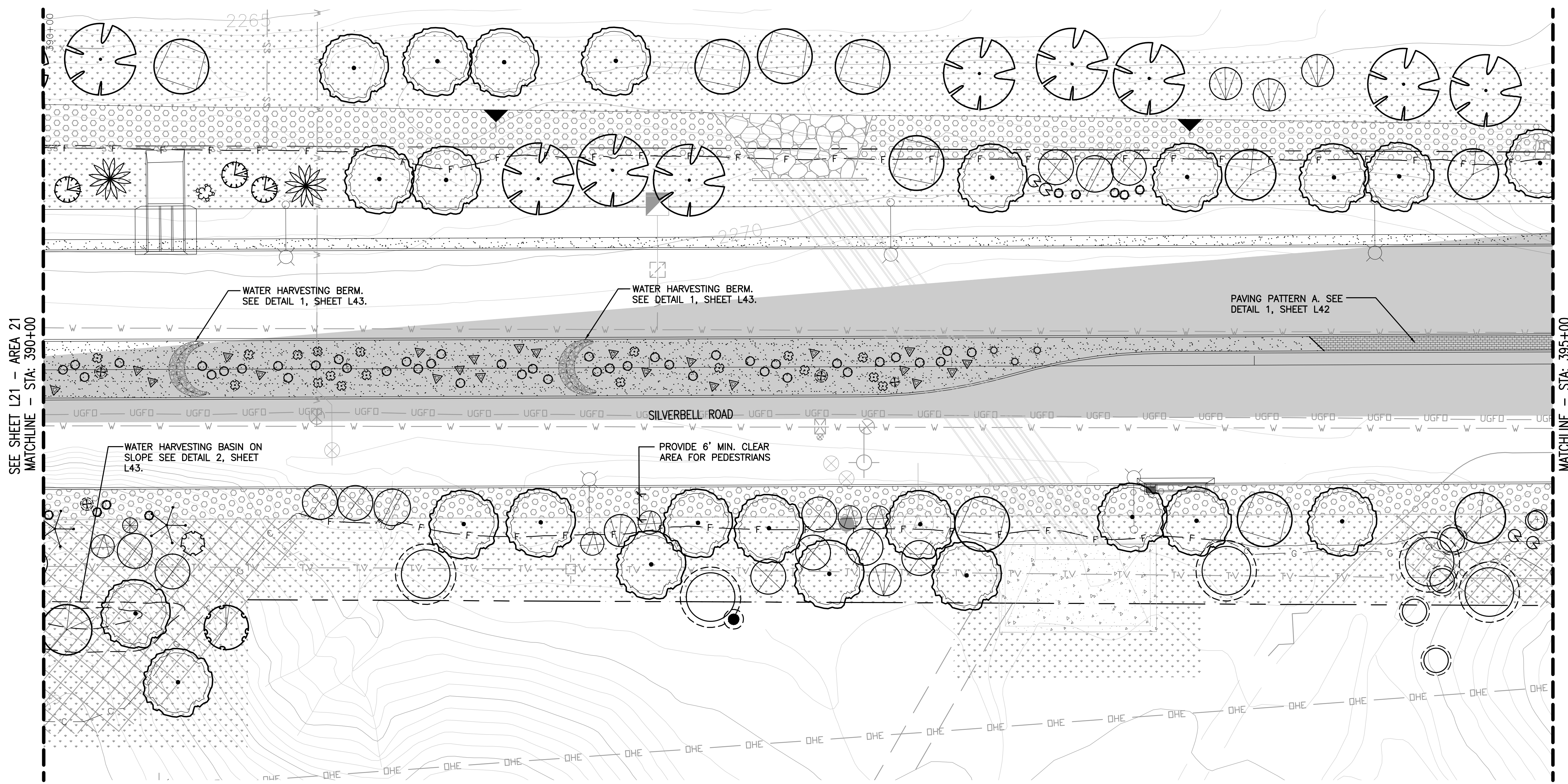
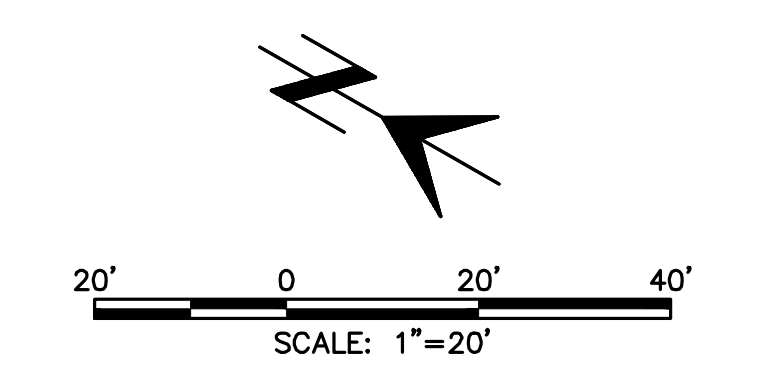
PRELIMINARY
100%
REVIEW
NOT FOR
CONSTRUCTION
OR RECORDING

NO.	DATE	REVISION	BY	CHKD.	APPR.

Two working days before you dig,
CALL FOR THE BLUE STAKES
1-800-782-5348

DATE\$
FILE\$

McGann & Associates
Landscape Architects and Planners



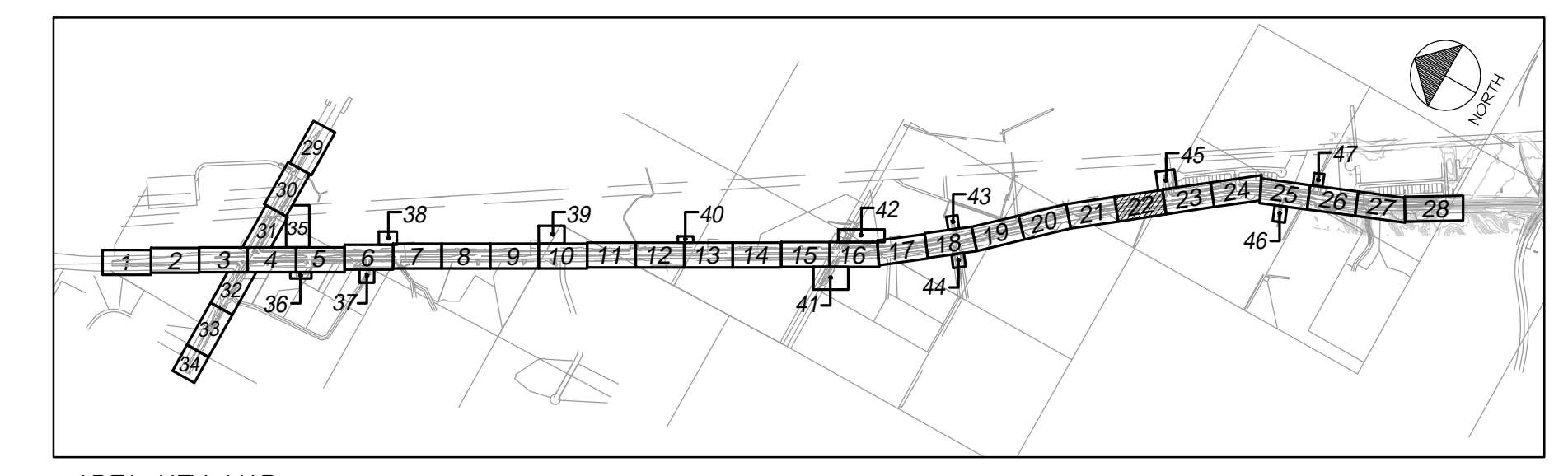
LANDSCAPE LEGEND	
	SIGHT VISIBILITY TRIANGLE
INORGANIC SURFACING	
	DECOMPOSED GRANITE SURFACING
	CONCRETE MEDIAN PAVING
	ROCK MULCH TYPE A
	SLOPE TREATMENT ROCK MULCH TYPE B
	FLEXIMAT SURFACING TO BE HYDROSEEDDED WITH LOW-GROW SEED MIX
HYDROSEED MIX	
	AREA TO BE HYDROSEEDDED
	AREA TO BE HYDROSEEDDED WITH APPROVED LOW-GROW MIX
PROTECTION OF NATIVE VEGETATION - PRESERVATION FENCING TO BE INSTALLED DURING DEMOLITION PHASE AND IS SHOWN ON DEMOLITION PLANS FOR BIDDING AND CONSTRUCTION. PRESERVATION OF NATIVE VEGETATION IS SHOWN ON LANDSCAPE PLANS FOR REFERENCE ONLY.	

SEE SHEET LS40 TO LS43 FOR LANDSCAPE SCHEDULE AND DETAILS

LANDSCAPE PLAN - AREA 22 - STA: 390+00 TO STA: 395+00
SCALE: 1" = 20'-0"

PLANT LEGEND	
	ACACIA CONSTRICTA WHITETHORN ACACIA
	ACACIA GREGGII CATCLAW ACACIA
	CHILOPSIS LINEARIS DESERT WILLOW
	PARKINSONIA MICROPHYLLA FOOTHILLS PALO VERDE
	PROSOPIS VELUTINA VELVET MESQUITE
	LARREA TRIDENTATA CREOSOTE BUSH
	CELTIS PALLIDA DESERT HACKBERRY
	CONDALIA WARNOCKII CONDALIA
	SIMMONDSIA CHINENSIS JOJOBA
	ZIZIPHUS OBTUSIFOLIA GRAYTHORN
	AMBROSIA DELTOIDEA TRIANGLE-LEAF BURSAE
	ANISACANTHUS THURBERI DESERT HONESUCKLE
	ASCLEPIAS SURCULATA DESERT MILKWEEED
	CALANDRIA ERIOPHYLLA FAIRY DUSTER
	DALEA PULCHRA BUSH DALEA
	ISOCOMA TENUISECTA BURROWEED
	JUSTITIA CALIFORNICA CHUPAROSA
	CASSIA (SENNA) WISLIZENII SHRUBBY SENNA
	PENSTEMON PARRYI PARRY PENSTEMON
	AGAVE CHRYSANTHA GOLDEN-FLOWERED AGAVE
	AGAVE PARRYI PARRY'S AGAVE
	CARNEGIEA GIGANTEA SAGUARO
	ECHINOCEREUS ENGELMANNII HEDGEHOG CACTUS
	FEROCACTUS WISLIZENI FISHHOOK BARREL
	FOUQUIERIA SPLENDENS OCOTILLO
	HESPERALOE PARVIFLORA RED YUCCA
	OPUNTIA BASILARIS BEAVERTAIL PRICKLY PEAR
	OPUNTIA SANTA-RITA PURPLE PRICKLY PEAR
	PENIOCIEREUS GREGGII NIGHT-BLOOMING CEREUS
	YUCCA BACCATA BANANA YUCCA
	YUCCA ELATA SOAPTREE YUCCA
	TREE TO BE PRESERVED IN PLACE
	SHRUB TO BE PRESERVED IN PLACE
	CACTUS TO BE PRESERVED IN PLACE

NOTE: DASHED LINE AROUND PLANT SYMBOL INDICATES SALVAGED PLANT



L22 OF L43



DEPARTMENT OF TRANSPORTATION/ENGINEERING DIVISION

SILVERBELL ROAD
EL CAMINO DEL CERRO TO GORET ROAD
L22 LANDSCAPE PLAN - AREA 22

NO.	DATE	REVISION	BY	CHKD.	APPR.

PRELIMINARY
100%
REVIEW
NOT FOR
CONSTRUCTION
OR RECORDING

Approvals	Signatory	Date

Approved _____ 20__

TRANSPORTATION DIRECTOR

REF. _____ SCALE: 1" = 20'

PLAN NO. _____

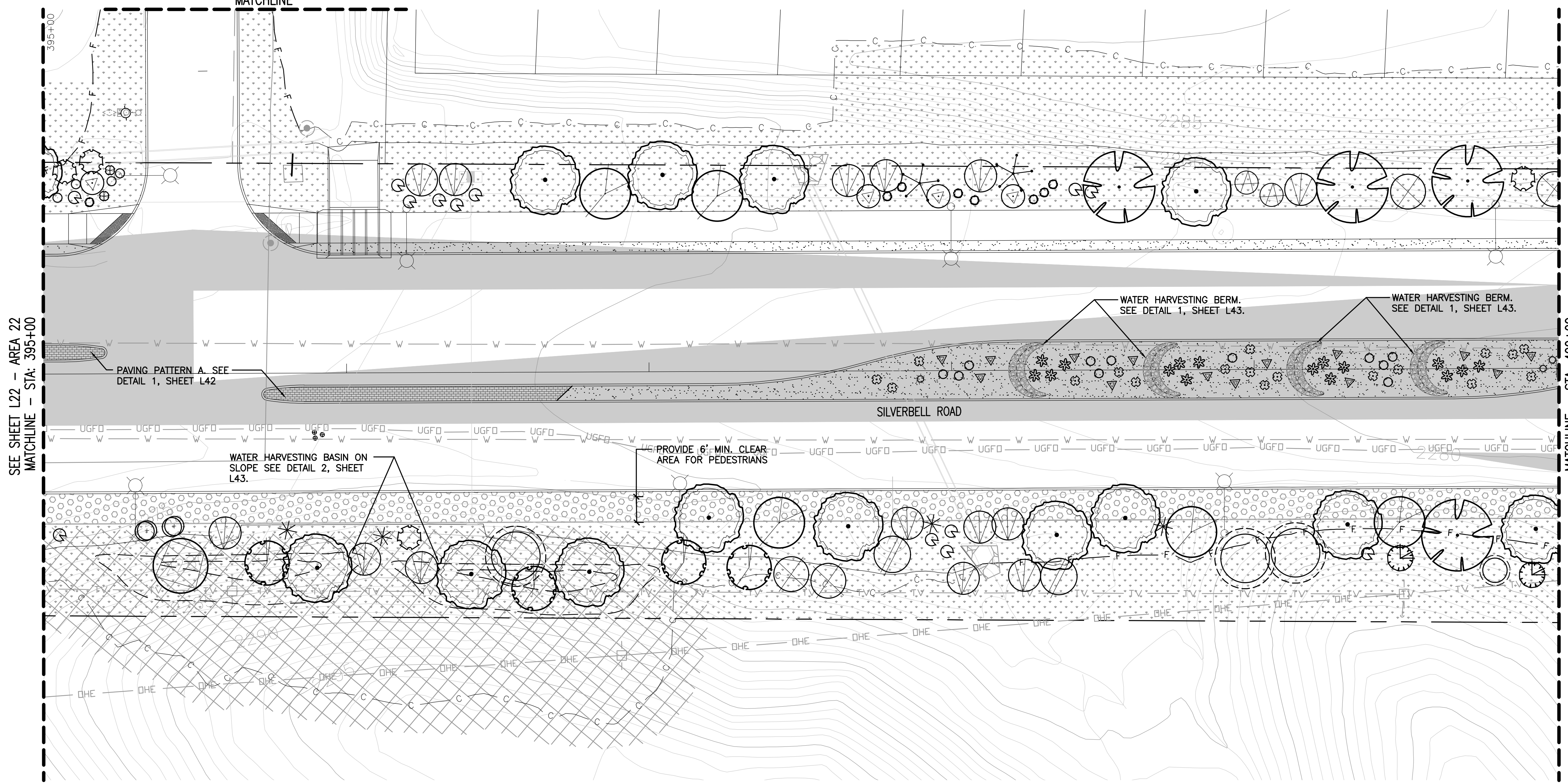
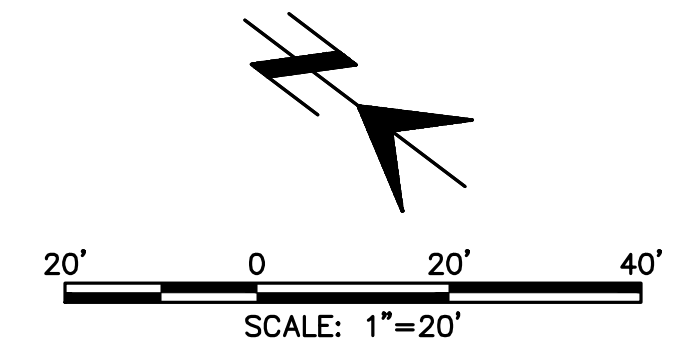
222
OF
446

DATE\$
FILE\$

Two working days before you dig,
CALL FOR THE BLUE STAKES
1-800-782-5348

DRWN. BY P.M./M. 2018 DSSN. BY S.M. 2018 CHKD. BY J.S. 2018

SEE SHEET L39 - AREA 45
MATCHLINE



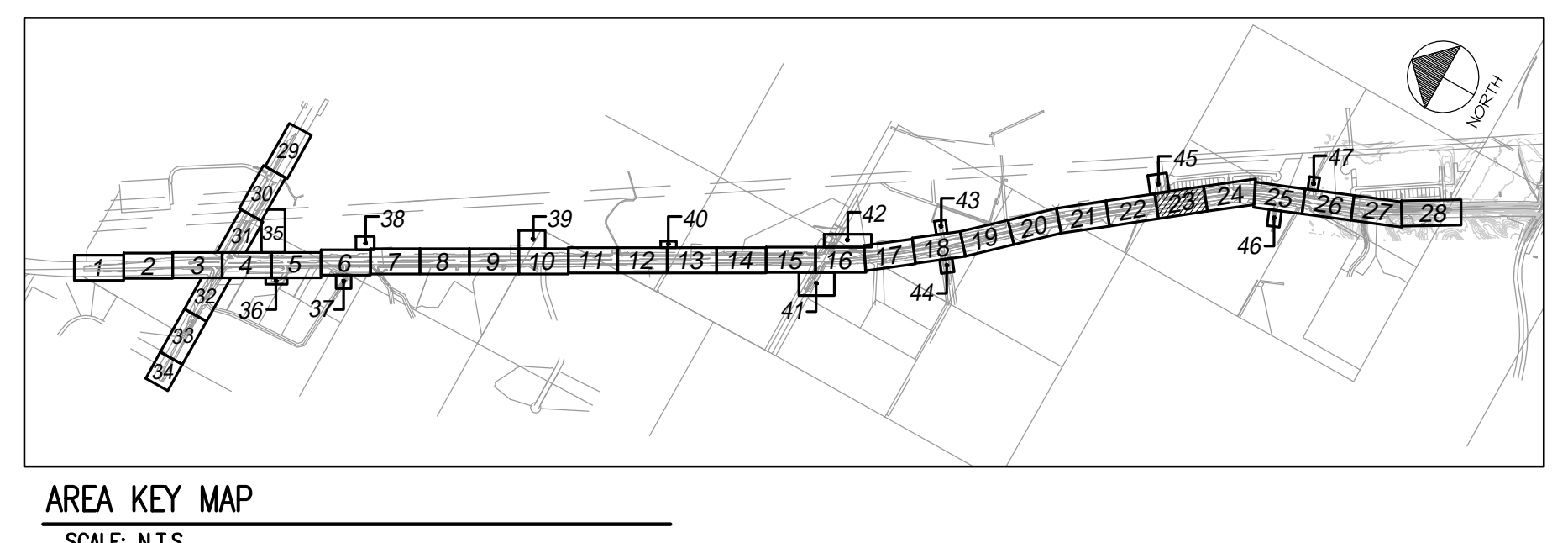
LANDSCAPE PLAN - AREA 23 - STA: 395+00 TO STA: 400+00
SCALE: 1" = 20'-0"

LANDSCAPE LEGEND	
	SIGHT VISIBILITY TRIANGLE
INORGANIC SURFACING	
	DECOMPOSED GRANITE SURFACING
	CONCRETE MEDIAN PAVING
	ROCK MULCH TYPE A
	ROCK MULCH TYPE B
	FLEXIMAT SURFACING TO BE HYDROSEEDED WITH LOW-GROW SEED MIX
HYDROSEED MIX	
	AREA TO BE HYDROSEEDED
	AREA TO BE HYDROSEEDED WITH APPROVED LOW-GROW MIX
PROTECTION OF NATIVE VEGETATION - PRESERVATION FENCING TO BE INSTALLED DURING DEMOLITION PHASE AND IS SHOWN ON DEMOLITION PLANS FOR BIDDING AND CONSTRUCTION. PRESERVATION OF NATIVE VEGETATION IS SHOWN ON LANDSCAPE PLANS FOR REFERENCE ONLY.	

SEE SHEET LS40 TO LS43 FOR LANDSCAPE SCHEDULE AND DETAILS

PLANT LEGEND	
	ACACIA CONSTRICTA WHITETHORN ACACIA
	ACACIA GREGGII CATCLAW ACACIA
	CHILOPSIS LINEARIS DESERT WILLOW
	PARKINSONIA MICROPHYLLA FOOTHILLS PALO VERDE
	PROSOPIS VELUTINA VELVET MESQUITE
LARGE SHRUBS	
	LARREA TRIDENTATA CREOSOTE BUSH
	CELTIIS PALLIDA DESERT HACKBERRY
	CONDALIA WARNOCKII CONDALIA
	SIMMONDSIA CHINENSIS JOJOBA
	ZIZIPHUS OBTUSIFOLIA GRAYTHORN
SMALL SHRUBS	
	AMBROSIA DELTOIDEA TRIANGLE-LEAF BURSAE
	ANISACANTHUS THURBERI DESERT HONESUCKLE
	ASCLEPIAS SURBULATA DESERT MILKWEEED
	CALLIANDRA ERIOPHYLLA FAIRY DUSTER
	DALEA PULCHRA BUSH DALEA
	ISOCOMA TENUISECTA BURROWEED
	JUSTICIA CALIFORNICA CHUPAROSA
	CASSIA (SENNA) WISLIZENII SHRUBBY SENNA
	PENSTEMON PARRYI PARRY PENSTEMON
CACTI AND AGAVES	
	AGAVE CHRYSANTHA GOLDEN-FLOWERED AGAVE
	AGAVE PARRYI PARRY'S AGAVE
	CARNEGIEA GIGANTEA SAGUARO
	ECHINOCEREUS ENGELMANNII HEDGEHOG CACTUS
	FEROACTUS WISLIZENII FISHHOOK BARREL
	FOUQUIERIA SPLENDENS OCOTILLO
	HESPERALOE PARVIFLORA RED YUCCA
	OPUNTIA BASILARIS BEAVERTAIL PRICKLY PEAR
	OPUNTIA SANTA-RITA PURPLE PRICKLY PEAR
	PENIOCIEREUS GREGGII NIGHT-BLOOMING CEREUS
	YUCCA BACCATA BANANA YUCCA
	YUCCA ELATA SOAPTREE YUCCA
PRESERVED IN PLACE	
	TREE TO BE PRESERVED IN PLACE
	SHRUB TO BE PRESERVED IN PLACE
	CACTUS TO BE PRESERVED IN PLACE

NOTE: DASHED LINE AROUND PLANT SYMBOL INDICATES SALVAGED PLANT



AREA KEY MAP
SCALE: N.T.S.

L23 OF L43



DEPARTMENT OF TRANSPORTATION/ENGINEERING DIVISION

SILVERBELL ROAD
EL CAMINO DEL CERRO TO GORET ROAD
L23 LANDSCAPE PLAN - AREA 23

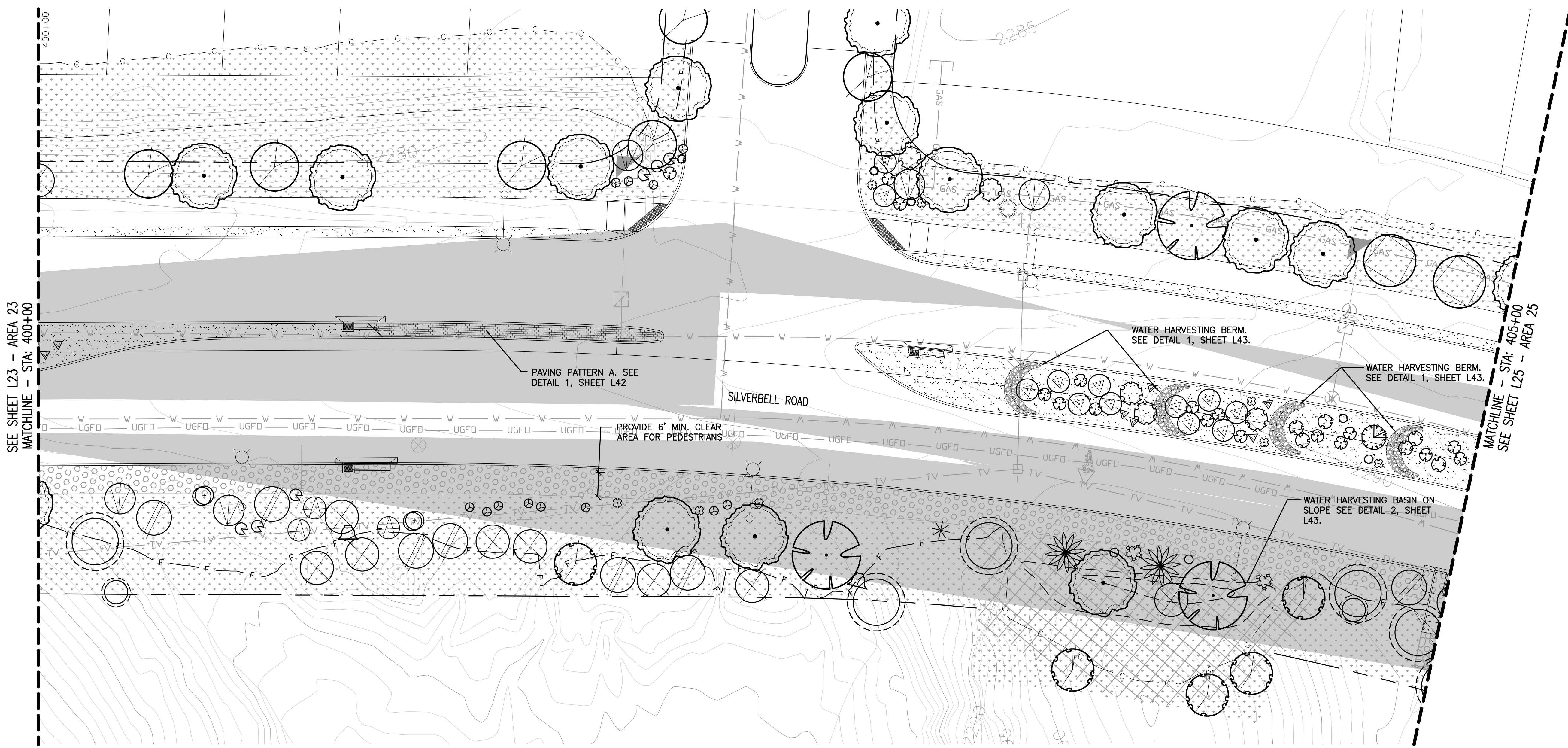
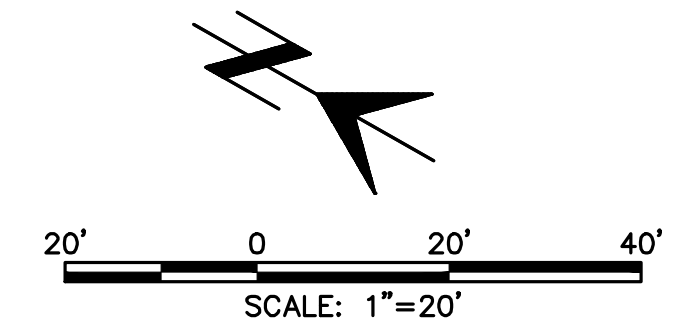
PRELIMINARY
100%
REVIEW
NOT FOR
CONSTRUCTION
OR RECORDING

Approvals	Signatory	Date	Approved
			20
			446
			TRANSPORTATION DIRECTOR
			REF. SCALE: 1" = 20'
			PLAN NO.

Two working days before you dig,
CALL FOR THE BLUE STAKES
1-800-782-5348

NO.	DATE	REVISION	BY	CHKD.	APPR.

DATE\$
FILE\$



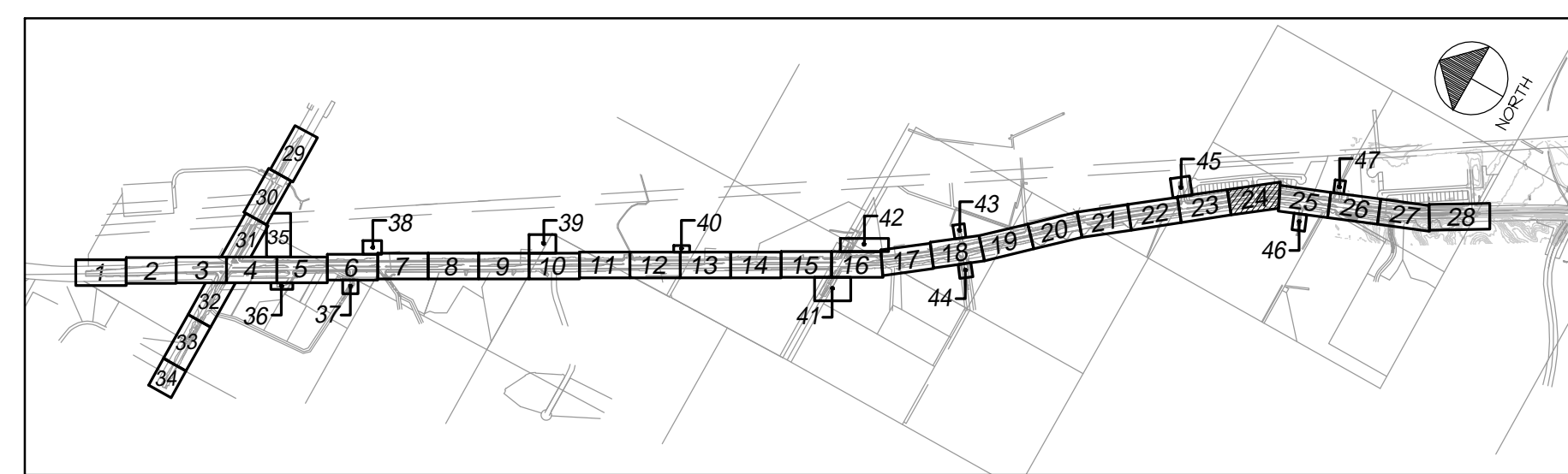
LANDSCAPE LEGEND	
	SIGHT VISIBILITY TRIANGLE
INORGANIC SURFACING	
	DECOMPOSED GRANITE SURFACING
	CONCRETE MEDIAN PAVING
	ROCK MULCH TYPE A
	SLOPE TREATMENT ROCK MULCH TYPE B
	FLEXIMAT SURFACING TO BE HYDROSEEDED WITH LOW-GROW SEED MIX
HYDROSEED MIX	
	AREA TO BE HYDROSEEDED
	AREA TO BE HYDROSEEDED WITH APPROVED LOW-GROW MIX
PROTECTION OF NATIVE VEGETATION - PRESERVATION FENCING TO BE INSTALLED DURING DEMOLITION PHASE AND IS SHOWN ON DEMOLITION PLANS FOR BIDDING AND CONSTRUCTION. PRESERVATION OF NATIVE VEGETATION IS SHOWN ON LANDSCAPE PLANS FOR REFERENCE ONLY.	

SEE SHEET LS40 TO LS43 FOR LANDSCAPE SCHEDULE AND DETAILS

LANDSCAPE PLAN - AREA 24 - STA: 400+00 TO STA: 405+00
SCALE: 1" = 20'-0"

PLANT LEGEND	
	ACACIA CONSTRICTA WHITETHORN ACACIA
	ACACIA GREGGII CATCLAW ACACIA
	CHILOPSIS LINEARIS DESERT WILLOW
	PARKINSONIA MICROPHYLLA FOOTHILLS PALO VERDE
	PROSOPIS VELUTINA VELVET MESQUITE
LARGE SHRUBS	
	LARREA TRIDENTATA CREOSOTE BUSH
	CELTIS PALLIDA DESERT HACKBERRY
	CONDALIA WARNOCKII CONDALIA
	SIMMONDSIA CHINENSIS JOJOBA
	ZIZIPHUS OBTUSIFOLIA GRAYTHORN
SMALL SHRUBS	
	AMBROSIA DELTOIDEA TRIANGLE-LEAF BURSAE
	ANISACANTHUS THURBERI DESERT HONESUCKLE
	ASCLEPIAS SURBULATA DESERT MILKWEEED
	CALLIANDRA ERIOPHYLLA FAIRY DUSTER
	DALEA PULCHRA BUSH DALEA
	ISOCOMA TENUISECTA BURROWEED
	JUSTITIA CALIFORNICA CHUPAROSA
	CASSIA (SENNA) WISLIZENII SHRUBBY SENNA
	PENSTEMON PARRYI PARRY PENSTEMON
CACTI AND AGAVES	
	AGAVE CHRYSANTHA GOLDEN-FLOWERED AGAVE
	AGAVE PARRYI PARRY'S AGAVE
	CARNEGIEA GIGANTEA SAGUARO
	ECHINOCEREUS ENGELMANNII HEDGEHOG CACTUS
	FEROCACTUS WISLIZENII FISHHOOK BARREL
	FOUQUIERIA SPLENDENS OCOTILLO
	HESPERALOE PARVIFLORA RED YUCCA
	OPUNTIA BASILARIS BEAVERTAIL PRICKLY PEAR
	OPUNTIA SANTA-RITA PURPLE PRICKLY PEAR
	PENIOCIEREUS GREGGII NIGHT-BLOOMING CERESUS
	YUCCA BACCATA BANANA YUCCA
	YUCCA ELATA SOAPTREE YUCCA
PRESERVED IN PLACE	
	TREE TO BE PRESERVED IN PLACE
	SHRUB TO BE PRESERVED IN PLACE
	CACTUS TO BE PRESERVED IN PLACE

NOTE: DASHED LINE AROUND PLANT SYMBOL INDICATES SALVAGED PLANT



AREA KEY MAP
SCALE: N.T.S.

L24 OF L43



DEPARTMENT OF TRANSPORTATION/ENGINEERING DIVISION

SILVERBELL ROAD
EL CAMINO DEL CERRO TO GORET ROAD
L24 LANDSCAPE PLAN - AREA 24

PRELIMINARY
100%
REVIEW
NOT FOR
CONSTRUCTION
OR RECORDING

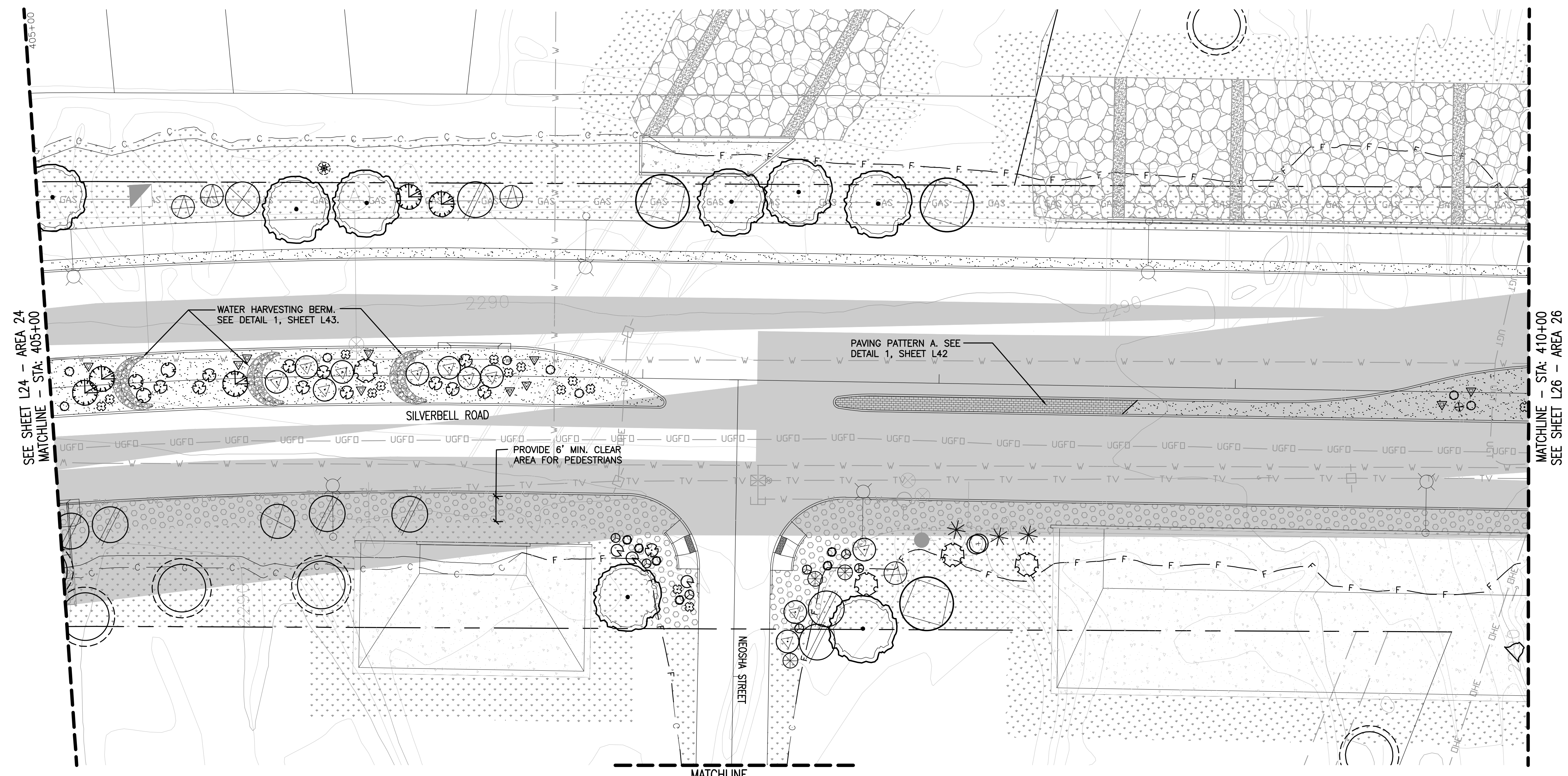
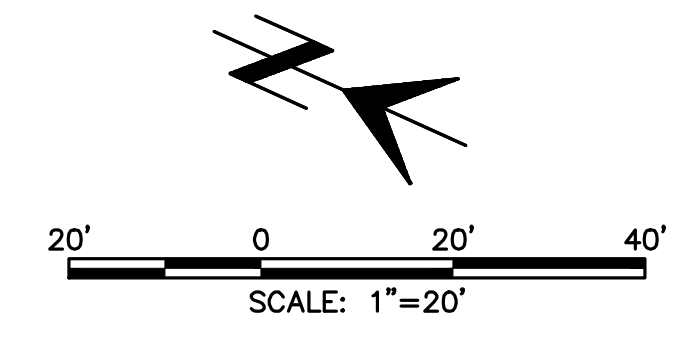
Approvals	Signatory	Date	Approved
			20__
			446
			TRANSPORTATION DIRECTOR
			REF. SCALE: 1" = 20'
			PLAN NO.

NO.	DATE	REVISION	BY	CHKD.	APPR.

Two working days before you dig,
CALL FOR THE BLUE STAKES
1-800-782-5348

DATE\$
FILE\$

McGann & Associates
Landscape Architects and Planners
1210 N. GILBERT AVENUE, SUITE 200
TUCSON, AZ 85712



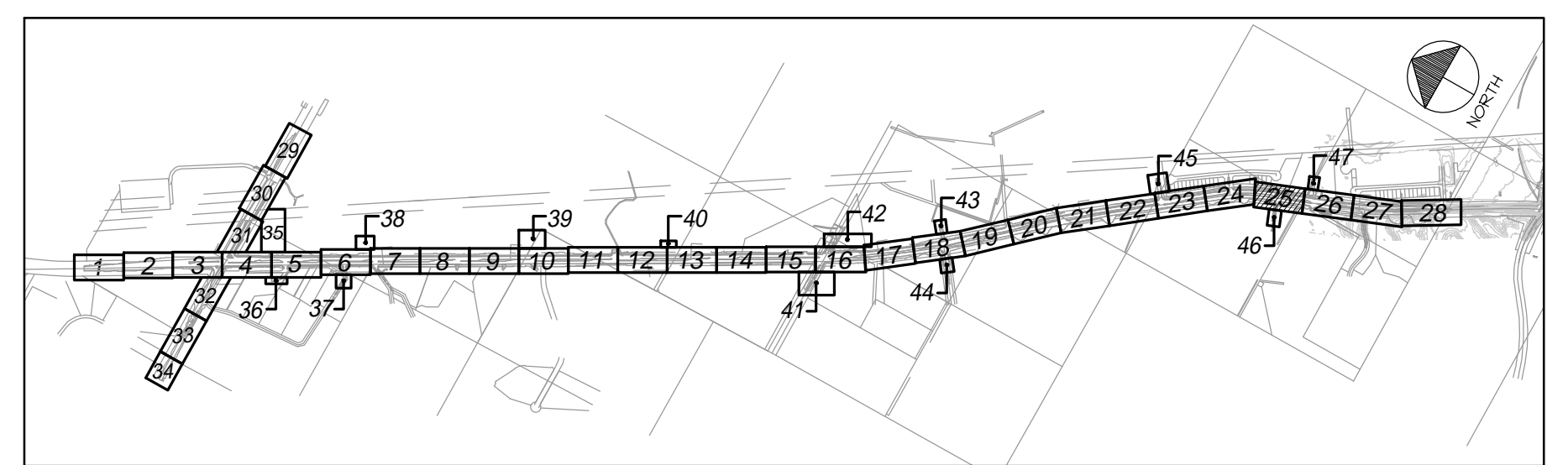
LANDSCAPE LEGEND	
	SIGHT VISIBILITY TRIANGLE
INORGANIC SURFACING	
	DECOMPOSED GRANITE SURFACING
	CONCRETE MEDIAN PAVING
	ROCK MULCH TYPE A
	SLOPE TREATMENT ROCK MULCH TYPE B
	FLEXIMAT SURFACING TO BE HYDROSEEDED WITH LOW-GROW SEED MIX
HYDROSEED MIX	
	AREA TO BE HYDROSEEDED
	AREA TO BE HYDROSEEDED WITH APPROVED LOW-GROW MIX
PROTECTION OF NATIVE VEGETATION - PRESERVATION FENCING TO BE INSTALLED DURING DEMOLITION PHASE AND IS SHOWN ON DEMOLITION PLANS FOR BIDDING AND CONSTRUCTION. PRESERVATION OF NATIVE VEGETATION IS SHOWN ON LANDSCAPE PLANS FOR REFERENCE ONLY.	

SEE SHEET LS40 TO LS43 FOR LANDSCAPE SCHEDULE AND DETAILS

LANDSCAPE PLAN - AREA 25 - STA: 405+00 TO STA: 410+00
SCALE: 1" = 20'-0"

PLANT LEGEND	
	ACACIA CONSTRUCTA WHITETHORN ACACIA
	PARKINSONIA MICROPHYLLA FOOTHILLS PALO VERDE
	ACACIA GREGGII CATCLAW ACACIA
	PROSOPIS VELUTINA VELVET MESQUITE
	CHILOPSIS LINEARIS DESERT WILLOW
LARGE SHRUBS	
	LARREA TRIDENTATA CREOSOTE BUSH
	CELTIS PALLIDA DESERT HACKBERRY
	CONDALIA WARNOCKII CONDALIA
	SIMMONDSIA CHINENSIS JOJOBA
	ZIZIPHUS OBTUSIFOLIA GRAYTHORN
SMALL SHRUBS	
	AMBROSIA DELTOIDEA TRIANGLE-LEAF BURSAE
	ANISACANTHUS THURBERI DESERT HONESUCKLE
	ASCLEPIAS SUBULATA DESERT MILKWEEED
	CALANDRA ERIOPHYLLA FAIRY DUSTER
	DALEA PULCHRA BUSH DALEA
	ISOCOMA TENUSECTA BURROWEED
	JUSTICIA CALIFORNICA CHUPAROSA
	CASSIA (SENNA) WISLIZENII SHRUBBY SENNA
	PENSTEMON PARRYI PARRY PENSTEMON
CACTI AND AGENTS	
	AGAVE CHRYSANTHA GOLDEN-FLOWERED AGAVE
	AGAVE PARRYI PARRY'S AGAVE
	CARNEGIA GIGANTEA SAGUARO
	ECHINOCEERUS ENGELMANNII HEDGEHOG CACTUS
	FEROCACTUS WISLIZENII FISHHOOK BARREL
	FOUQUIERIA SPLENDENS OCOTILLO
	HESPERALOE PARVIFLORA RED YUCCA
	OPUNTIA BASILARIS BEAVERTAIL PRICKLY PEAR
	OPUNTIA SANTA-RITA PURPLE PRICKLY PEAR
	PENIOCEREUS GREGGII NIGHT-BLOOMING CERESUS
	YUCCA BACCATA BANANA YUCCA
	YUCCA ELATA SOAPTREE YUCCA
	TREE TO BE PRESERVED IN PLACE
	SHRUB TO BE PRESERVED IN PLACE
	CACTUS TO BE PRESERVED IN PLACE

NOTE: DASHED LINE AROUND PLANT SYMBOL INDICATES SALVAGED PLANT



AREA KEY MAP
SCALE: N.T.S.

L25 OF L43



DEPARTMENT OF TRANSPORTATION/ENGINEERING DIVISION

SILVERBELL ROAD
EL CAMINO DEL CERRO TO GORET ROAD
L25 LANDSCAPE PLAN - AREA 25

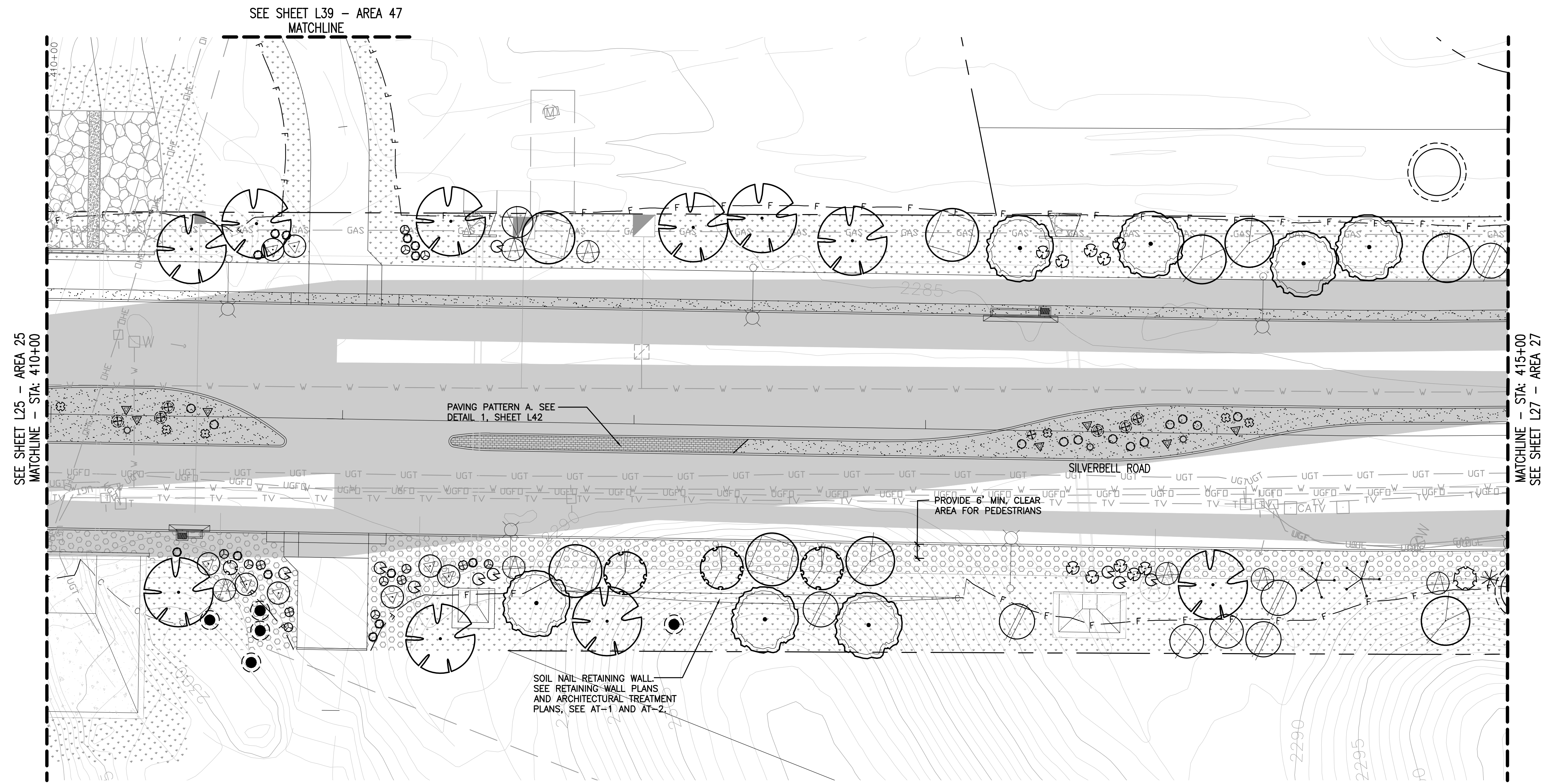
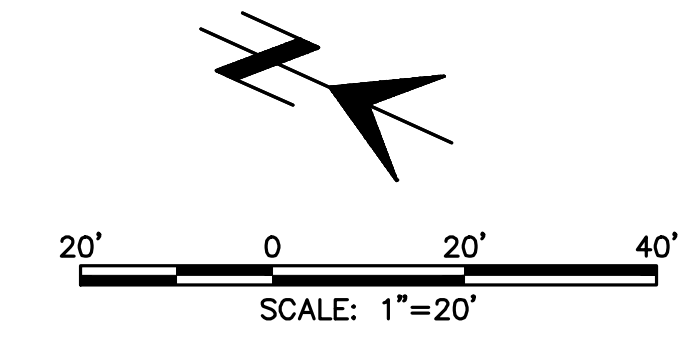
NO.	DATE	REVISION	BY	CHKD.	APPR.

PRELIMINARY
100%
REVIEW
NOT FOR
CONSTRUCTION
OR RECORDING

Approvals	Signatory	Date	Approved
			20
			446
TRANSPORTATION DIRECTOR			
REF.			SCALE: 1" = 20'
DRAWN BY: P.M./C.M. 2018			
DESIGN BY: S.M. 2018			
CHECKED BY: J.S. 2018			
PLAN NO.			

Two working days before you dig,
CALL FOR THE BLUE STAKES
1-800-782-5348

DATE\$
FILE\$



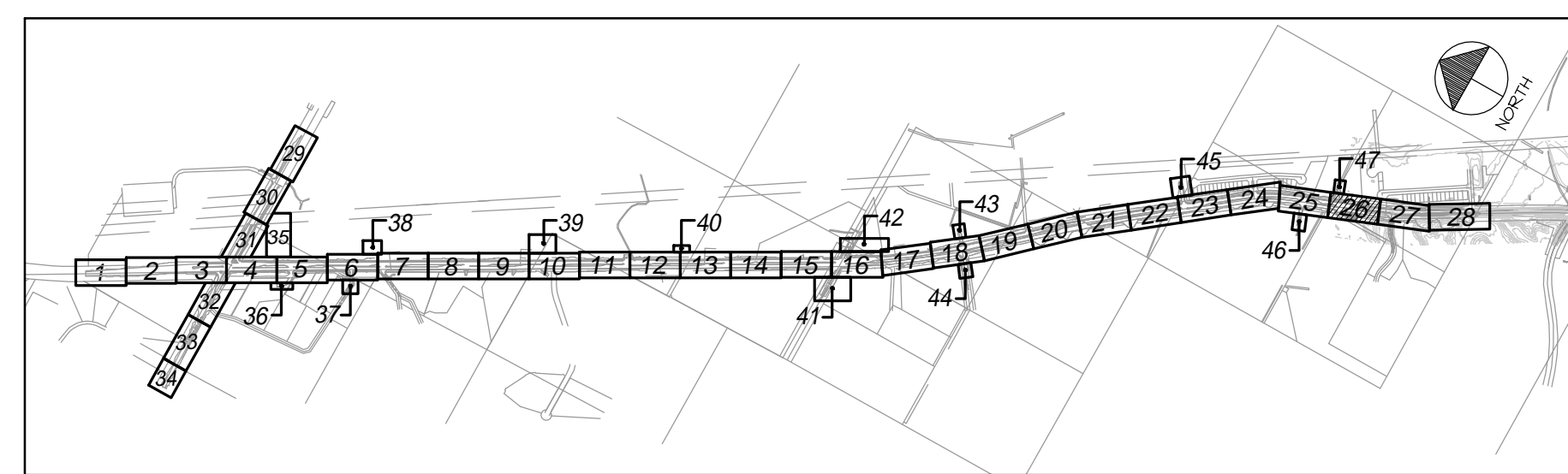
LANDSCAPE LEGEND	
	SIGHT VISIBILITY TRIANGLE
INORGANIC SURFACING	
	DECOMPOSED GRANITE SURFACING
	CONCRETE MEDIAN PAVING
	ROCK MULCH TYPE A
	SLOPE TREATMENT ROCK MULCH TYPE B
	FLEXIMAT SURFACING TO BE HYDROSEEDED WITH LOW-GROW SEED MIX
HYDROSEED MIX	
	AREA TO BE HYDROSEEDED
	AREA TO BE HYDROSEEDED WITH APPROVED LOW-GROW MIX
PROTECTION OF NATIVE VEGETATION - PRESERVATION FENCING TO BE INSTALLED DURING DEMOLITION PHASE AND IS SHOWN ON DEMOLITION PLANS FOR BIDDING AND CONSTRUCTION. PRESERVATION OF NATIVE VEGETATION IS SHOWN ON LANDSCAPE PLANS FOR REFERENCE ONLY.	

SEE SHEET LS40 TO LS43 FOR LANDSCAPE SCHEDULE AND DETAILS

LANDSCAPE PLAN - AREA 26 - STA: 410+00 TO STA: 415+00
SCALE: 1" = 20'-0"

PLANT LEGEND	
	ACACIA CONSTRICTA WHITETHORN ACACIA
	ACACIA GREGGII CATCLAW ACACIA
	CHILOPSIS LINEARIS DESERT WILLOW
	PARKINSONIA MICROPHYLLA FOOTHILLS PALO VERDE
	PROSOPIS VELUTINA VELVET MESQUITE
	LARREA TRIDENTATA CREOSOTE BUSH
	CELTIIS PALLIDA DESERT HACKBERRY
	CONDALIA WARNOCKII CONDALIA
	SIMMONDSIA CHINENSIS JOJOBA
	ZIZIPHUS OBTUSIFOLIA GRAYTHORN
	AMBROSIA DELTOIDEA TRIANGLE-LEAF BURSADE
	ANISACANTHUS THURBERI DESERT HONESUCKLE
	ASCLEPIAS SURBULATA DESERT MILKWEED
	CALLIANDRA ERIOPHYLLA FAIRY DUSTER
	DALEA PULCHRA BUSH DALEA
	ISOCOMA TENUISECTA BURROWEED
	JUSTICIA CALIFORNICA CHUPAROSA
	CASSIA (SENNA) WISLIZENII SHRUBBY SENNA
	PENSTEMON PARRYI PARRY PENSTEMON
	AGAVE CHRYSANTHA GOLDEN-FLOWERED AGAVE
	AGAVE PARRYI PARRY'S AGAVE
	CARNEGIEA GIGANTEA SAGUARO
	ECHINOCEREUS ENGELMANNII HEDGEHOG CACTUS
	FOUQUIERIA SPLENDENS OCOTILLO
	HESPERALOE PARVIFLORA RED YUCCA
	OPUNTIA BASILARIS BEAVERTAIL PRICKLY PEAR
	OPUNTIA SANTA-RITA PURPLE PRICKLY PEAR
	PENIOCEREUS GREGGII NIGHT-BLOOMING CEREUS
	YUCCA BACCATA BANANA YUCCA
	YUCCA ELATA SOAPTREE YUCCA
	TREE TO BE PRESERVED IN PLACE
	SHRUB TO BE PRESERVED IN PLACE
	CACTUS TO BE PRESERVED IN PLACE

NOTE: DASHED LINE AROUND PLANT SYMBOL INDICATES SALVAGED PLANT



AREA KEY MAP
SCALE: N.T.S.

L26 OF L43



DEPARTMENT OF TRANSPORTATION/ENGINEERING DIVISION

SILVERBELL ROAD
EL CAMINO DEL CERRO TO GORET ROAD
L26 LANDSCAPE PLAN - AREA 26

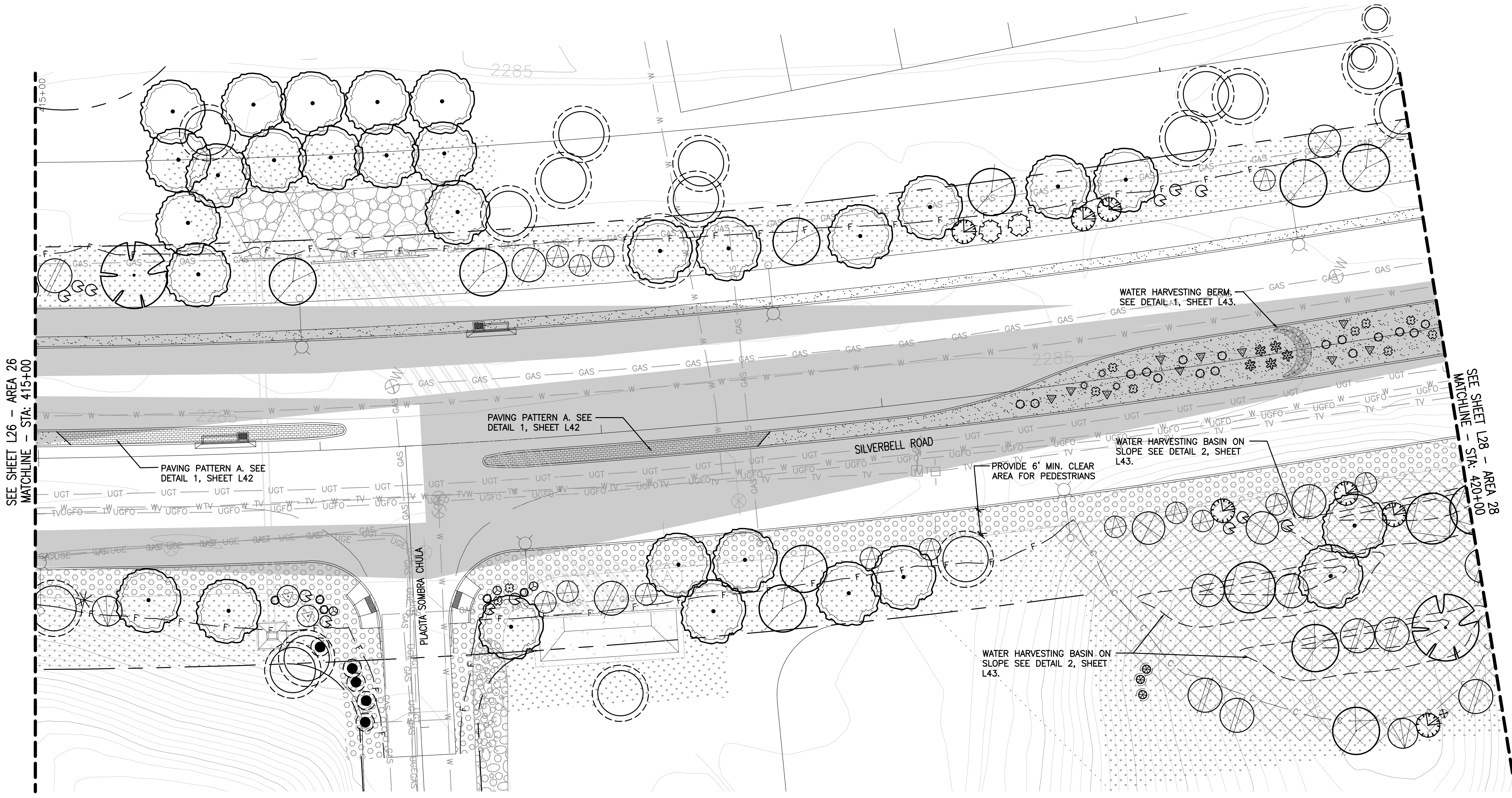
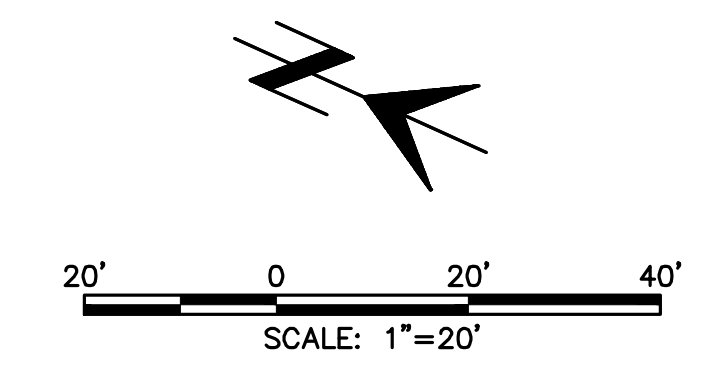
NO.	DATE	REVISION	BY	CHKD.	APPR.

PRELIMINARY
100%
REVIEW
NOT FOR
CONSTRUCTION
OR RECORDING

Approvals	Signatory	Date	Approved
			20
			446
TRANSPORTATION DIRECTOR			
REF.			SCALE: 1" = 20'
DRAWN BY: P.M./C.M. 2018			
DESIGN BY: S.M. 2018			
CHECKED BY: J.S. 2018			
PLAN NO.			

Two working days before you dig,
CALL FOR THE BLUE STAKES
1-800-782-5348

DATE\$
FILE\$



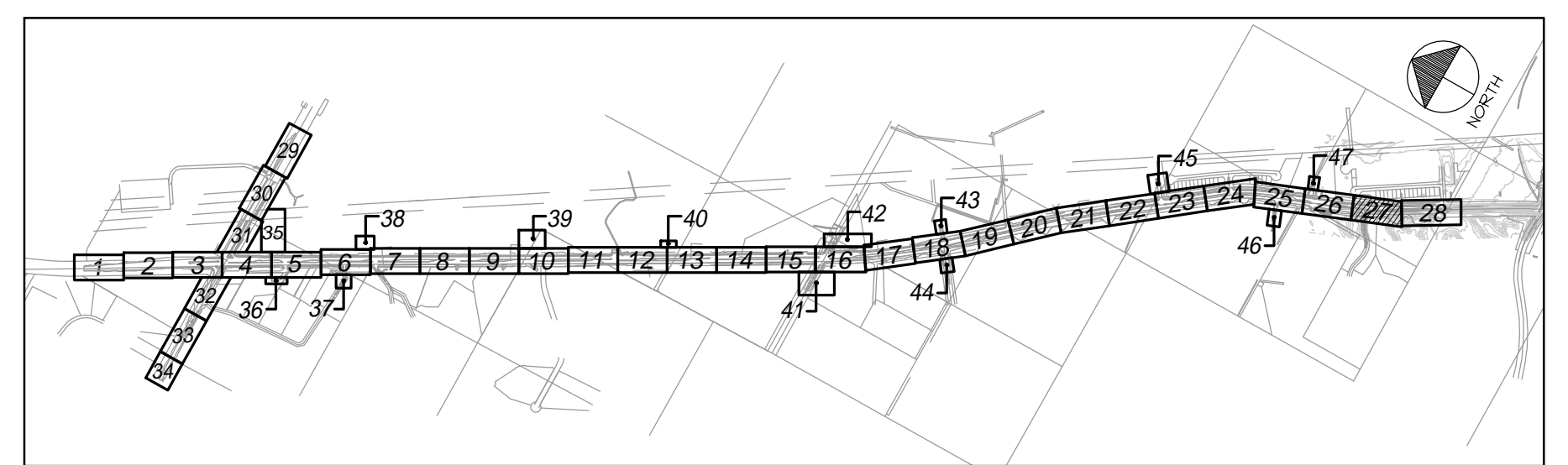
LANDSCAPE LEGEND	
	SIGHT VISIBILITY TRIANGLE
INORGANIC SURFACING	
	DECOMPOSED GRANITE SURFACING
	CONCRETE MEDIAN PAVING
	ROCK MULCH TYPE A
	SLOPE TREATMENT ROCK MULCH TYPE B
	FLEXMAT SURFACING TO BE HYDROSEEDED WITH LOW-GROW SEED MIX
HYDROSEED MIX	
	AREA TO BE HYDROSEEDED
	AREA TO BE HYDROSEEDED WITH APPROVED LOW-GROW MIX
PROTECTION OF NATIVE VEGETATION - PRESERVATION FENCING TO BE INSTALLED DURING DEMOLITION PHASE AND IS SHOWN ON DEMOLITION PLANS FOR BIDDING AND CONSTRUCTION. PRESERVATION OF NATIVE VEGETATION IS SHOWN ON LANDSCAPE PLANS FOR REFERENCE ONLY.	

SEE SHEET L26 - AREA 26 MATCHLINE - STA: 415+00
 SEE SHEET L28 - AREA 28 MATCHLINE - STA: 420+00
 SEE SHEET LS40 TO LS43 FOR LANDSCAPE SCHEDULE AND DETAILS

LANDSCAPE PLAN - AREA 27 - STA: 415+00 TO STA: 420+00
 SCALE: 1" = 20'-0"

PLANT LEGEND	
	ACACIA CONSTRICTA WHITETHORN ACACIA
	ACACIA GREGGII CATCLAW ACACIA
	CHILOPSIS LINEARIS DESERT WILLOW
	PARKINSONIA MICROPHYLLA FOOTHILLS PALO VERDE
	PROSOPIS VELUTINA VELVET MESQUITE
	LARREA TRIDENTATA CREOSOTE BUSH
	CELTIS PALLIDA DESERT HACKBERRY
	CONDALIA WARNOCKII CONDALIA
	SIMMONDSIA CHINENSIS JOJOBA
	ZIZIPHUS OBTUSIFOLIA GRAYTHORN
	AMBROSIA DELTOIDEA TRIANGLE-LEAF BURSAE
	ANISACANTHUS THURBERI DESERT HONESUCKLE
	ASCLEPIAS SURCULATA DESERT MILKWEED
	CALANDRIA ERIOPHYLLA FAIRY DUSTER
	DALEA PULCHRA BUSH DALEA
	ISOCOMA TENUISECTA BURROWEED
	JUSTITIA CALIFORNICA CHUPAROSA
	CASSIA (SENNA) WISLIZENII SHRUBBY SENNA
	PENSTEMON PARRYI PARRY PENSTEMON
	AGAVE CHRYSANTHA GOLDEN-FLOWERED AGAVE
	AGAVE PARRYI PARRY'S AGAVE
	CARNEGIEA GIGANTEA SAGUARO
	ECHINOEREUS ENGELMANNII HEDGEHOG CACTUS
	FEROCACTUS WISLIZENII FISHHOOK BARREL
	FOUQUIERIA SPLENDENS OCOTILLO
	HESPERALOE PARVIFLORA RED YUCCA
	OPUNTIA BASILARIS BEAVERTAIL PRICKLY PEAR
	OPUNTIA SANTA-RITA PURPLE PRICKLY PEAR
	PENIOCIEREUS GREGGII NIGHT-BLOOMING CERESUS
	YUCCA BACCATA BANANA YUCCA
	YUCCA ELATA SOAPTREE YUCCA
	TREE TO BE PRESERVED IN PLACE
	SHRUB TO BE PRESERVED IN PLACE
	CACTUS TO BE PRESERVED IN PLACE

NOTE: DASHED LINE AROUND PLANT SYMBOL INDICATES SALVAGED PLANT



AREA KEY MAP
 SCALE: N.T.S.

L27 OF L43



DEPARTMENT OF TRANSPORTATION/ENGINEERING DIVISION

SILVERBELL ROAD
 EL CAMINO DEL CERRO TO GORET ROAD
 L27 LANDSCAPE PLAN - AREA 27

PRELIMINARY
 100%
 REVIEW
 NOT FOR
 CONSTRUCTION
 OR RECORDING

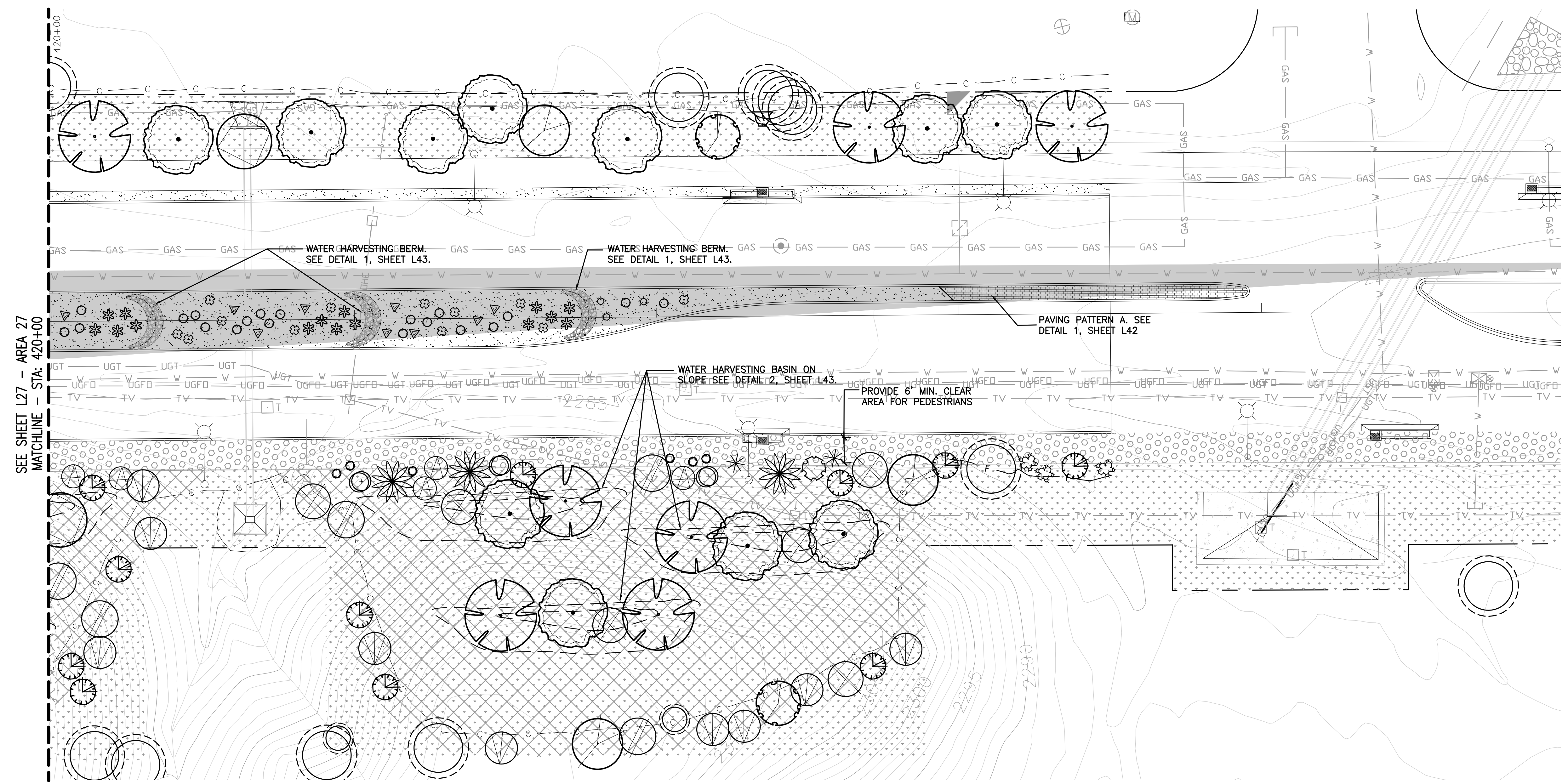
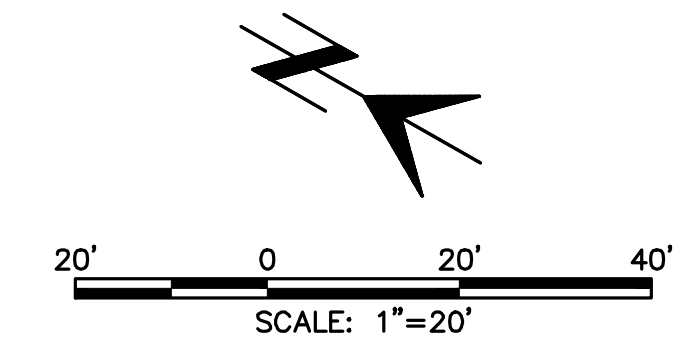
Approvals	Signatory	Date	Approved
			20
			446
			TRANSPORTATION DIRECTOR
			REF. SCALE: 1" = 20'
			PLAN NO.

NO.	DATE	REVISION	BY	CHKD.	APPR.

Two working days before you dig,
 CALL FOR THE BLUE STAKES
 1-800-782-5348

DATE\$
 FILE\$

McGann & Associates
 Landscape Architects and Planners
 1210 N. GILBERT AVENUE, SUITE 100
 TUCSON, AZ 85712



SEE SHEET L27 - AREA 27
MATCHLINE - STA: 420+00

END OF PROJECT

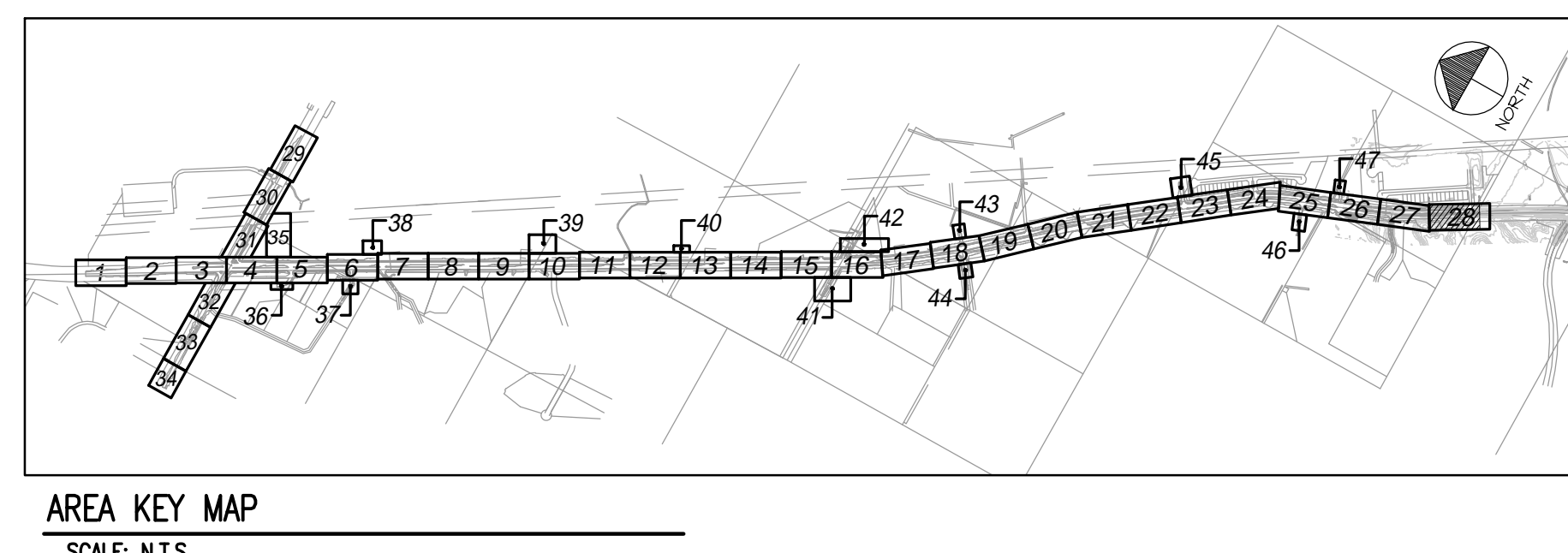
LANDSCAPE LEGEND	
	SIGHT VISIBILITY TRIANGLE
INORGANIC SURFACING	
	DECOMPOSED GRANITE SURFACING
	CONCRETE MEDIAN PAVING
	ROCK MULCH TYPE A
	SLOPE TREATMENT ROCK MULCH TYPE B
	FLEXIMAT SURFACING TO BE HYDROSEEDED WITH LOW-GROW SEED MIX
HYDROSEED MIX	
	AREA TO BE HYDROSEEDED
	AREA TO BE HYDROSEEDED WITH APPROVED LOW-GROW MIX
PROTECTION OF NATIVE VEGETATION - PRESERVATION FENCING TO BE INSTALLED DURING DEMOLITION PHASE AND IS SHOWN ON DEMOLITION PLANS FOR BIDDING AND CONSTRUCTION. PRESERVATION OF NATIVE VEGETATION IS SHOWN ON LANDSCAPE PLANS FOR REFERENCE ONLY.	

SEE SHEET LS40 TO LS43 FOR LANDSCAPE SCHEDULE AND DETAILS

LANDSCAPE PLAN - AREA 28 - STA: 420+00 TO END OF PROJECT ON SILVERBELL ROAD
SCALE: 1" = 20'-0"

PLANT LEGEND		TREES	
	ACACIA CONSTRICTA WHITETHORN ACACIA		PARKINSONIA MICROPHYLLA FOOTHILLS PALO VERDE
	ACACIA GREGGII CATCLAW ACACIA		PROSOPIS VELUTINA VELVET MESQUITE
	CHILOPSIS LINEARIS DESERT WILLOW		
LARGE SHRUBS		SMALL SHRUBS	
	LARREA TRIDENTATA CREOSOTE BUSH		AMBROSIA DELTOIDEA TRIANGLE-LEAF BURSAE
	CELTIS PALLIDA DESERT HACKBERRY		ANISACANTHUS THURBERI DESERT HONESUCKLE
	CONDALIA WARNOCKII CONDALIA		ASCLEPIAS SURBULATA DESERT MILKWEED
	SIMMONDSIA CHINENSIS JOJOBA		CALLIANDRA ERIOPHYLLA FAIRY DUSTER
	ZIZIPHUS OBTUSIFOLIA GRAYTHORN		DALEA PULCHRA BUSH DALEA
			ISOCOMA TENUISECTA BURROWEED
			JUSTITIA CALIFORNICA CHUPAROSA
			CASSIA (SENNA) WISLIZENII SHRUBBY SENNA
			PENSTEMON PARRYI PARRY PENSTEMON
CACTI AND AGENTS		AGAVE	
	AGAVE CHRYSANTHA GOLDEN-FLOWERED AGAVE		HESPERALOE PARVIFLORA RED YUCCA
	AGAVE PARRYI PARRY'S AGAVE		OPUNTIA BASILARIS BEAVERTAIL PRICKLY PEAR
	CARNEGIEA GIGANTEA SAGUARO		OPUNTIA SANTA-RITA PURPLE PRICKLY PEAR
	ECHINOCEREUS ENGELMANNII HEDGEHOG CACTUS		PENIOCEREUS GREGGII NIGHT-BLOOMING CERESUS
	FEROCACTUS WISLIZENII FISHHOOK BARREL		YUCCA BACCATA BANANA YUCCA
	FOUQUIERIA SPLENDENS OCOTILLO		YUCCA ELATA SOAPTREE YUCCA
			TREE TO BE PRESERVED IN PLACE
			SHRUB TO BE PRESERVED IN PLACE
			CACTUS TO BE PRESERVED IN PLACE

NOTE: DASHED LINE AROUND PLANT SYMBOL INDICATES SALVAGED PLANT



L28 OF L43



DEPARTMENT OF TRANSPORTATION/ENGINEERING DIVISION

SILVERBELL ROAD
EL CAMINO DEL CERRO TO GORET ROAD
L28 LANDSCAPE PLAN - AREA 28

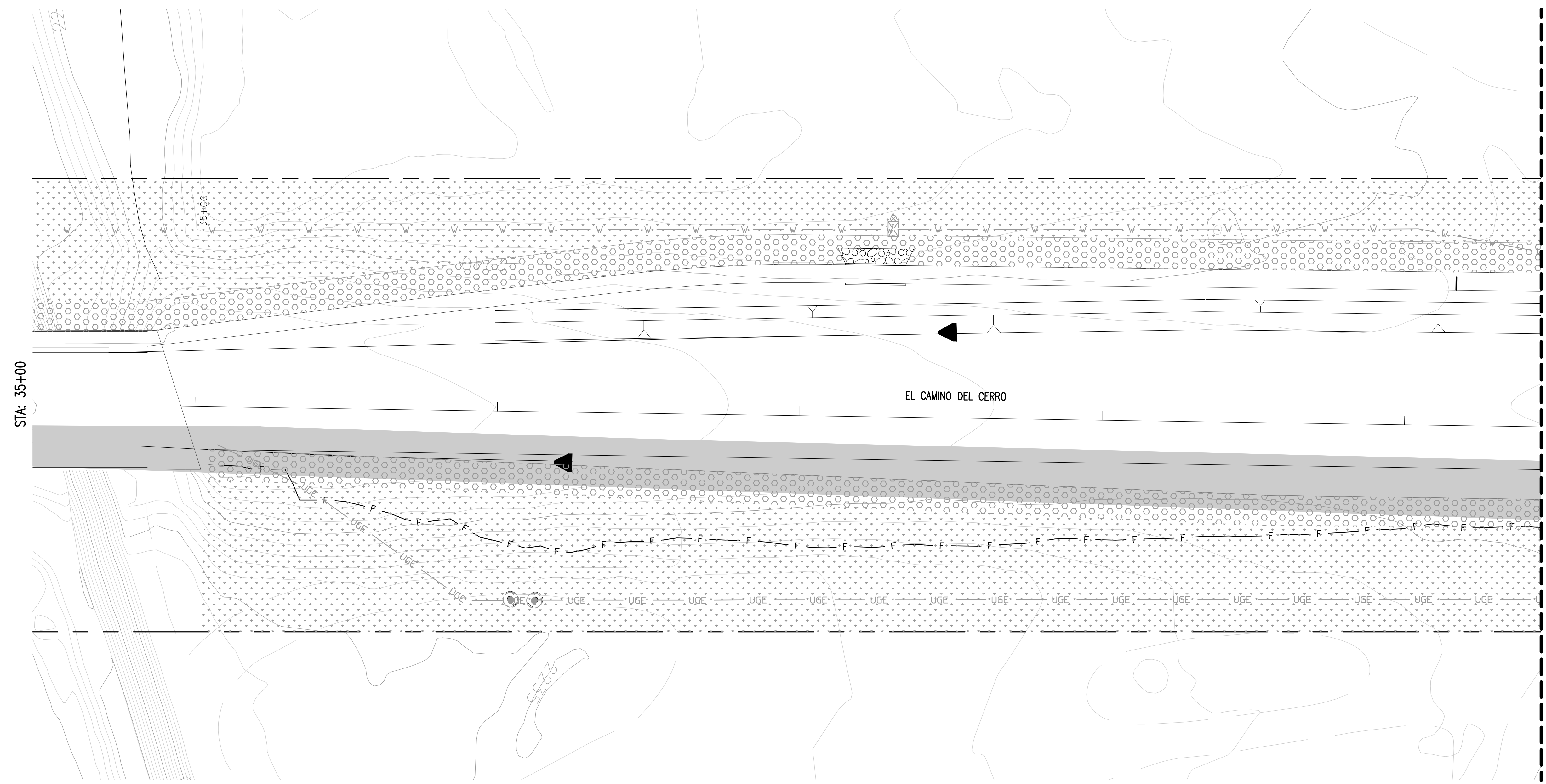
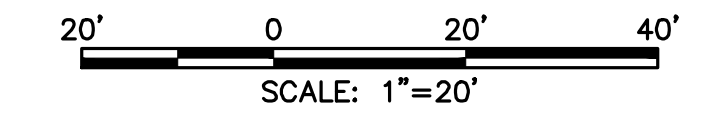
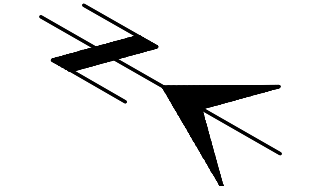
PRELIMINARY
100%
REVIEW
NOT FOR
CONSTRUCTION
OR RECORDING

Approvals	Signatory	Date	Approved
			20
			446
			TRANSPORTATION DIRECTOR
			REF. SCALE: 1" = 20'
			PLAN NO.

Two working days before you dig,
CALL FOR THE BLUE STAKES
1-800-782-5348

NO.	DATE	REVISION	BY	CHKD.	APPR.

DATE\$
FILE\$



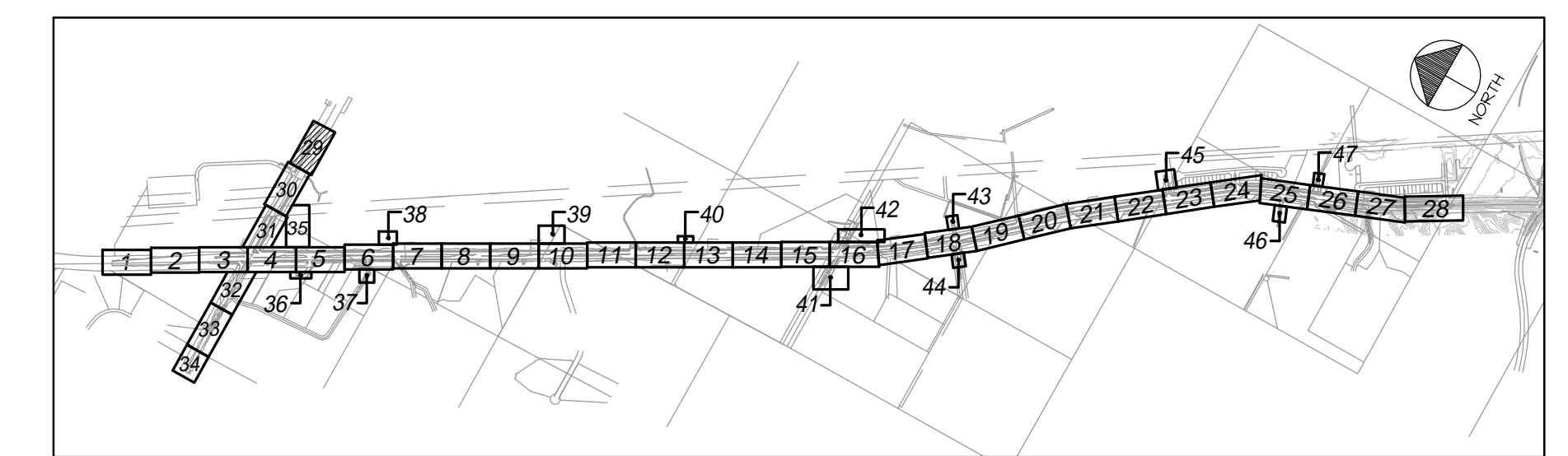
LANDSCAPE LEGEND	
	SIGHT VISIBILITY TRIANGLE
INORGANIC SURFACING	
	DECOMPOSED GRANITE SURFACING
	CONCRETE MEDIAN PAVING
	ROCK MULCH TYPE A
	ROCK MULCH TYPE B
	FLEXIMAT SURFACING TO BE HYDROSEEDED WITH LOW-GROW SEED MIX
HYDROSEED MIX	
	AREA TO BE HYDROSEEDED
	AREA TO BE HYDROSEEDED WITH APPROVED LOW-GROW MIX
PROTECTION OF NATIVE VEGETATION - PRESERVATION FENCING TO BE INSTALLED DURING DEMOLITION PHASE AND IS SHOWN ON DEMOLITION PLANS FOR BIDDING AND CONSTRUCTION. PRESERVATION OF NATIVE VEGETATION IS SHOWN ON LANDSCAPE PLANS FOR REFERENCE ONLY.	

SEE SHEET LS40 TO LS43 FOR LANDSCAPE SCHEDULE AND DETAILS

LANDSCAPE PLAN - AREA 29 - STA: 35+00 TO STA: 39+45
SCALE: 1" = 20'-0"

PLANT LEGEND		TREES	
	ACACIA CONSTRICTA WHITETHORN ACACIA		PARKINSONIA MICROPHYLLA FOOTHILLS PALO VERDE
	ACACIA GREGGII CATCLAW ACACIA		PROSOPIS VELUTINA VELVET MESQUITE
	CHILOPSIS LINEARIS DESERT WILLOW		
LARGE SHRUBS		SMALL SHRUBS	
	LARREA TRIDENTATA CREOSOTE BUSH		AMBROSIA DELTOIDEA TRIANGLE-LEAF BURSAE
	CELTIS PALLIDA DESERT HACKBERRY		ANISACANTHUS THURBERI DESERT HONESUCKLE
	CONDALIA WARNOCKII CONDALIA		ASCLEPIAS SUBULATA DESERT MILKWEEED
	SIMMONDSIA CHINENSIS JOJOBA		CALIANDRA ERIOPHYLLA FAIRY DUSTER
	ZIZIPHUS OBTUSIFOLIA GRAYTHORN		DALEA PULCHRA BUSH DALEA
			ISOCOMA TENUISECTA BURROWEED
			JUSTICIA CALIFORNICA CHUPAROSA
			CASSIA (SENNA) WISLIZENII SHRUBBY SENNA
			PENSTEMON PARRYI PARRY PENSTEMON
CACTI AND AGENTIS		PRESERVED IN PLACE	
	AGAVE CHRYSANTHA GOLDEN-FLOWERED AGAVE		TREE TO BE PRESERVED IN PLACE
	AGAVE PARRYI PARRY'S AGAVE		SHRUB TO BE PRESERVED IN PLACE
	CARNEGIEA GIGANTEA SAGUARO		CACTUS TO BE PRESERVED IN PLACE
	ECHINOCEREUS ENGELMANNII HEDGEHOG CACTUS		
	FEROACTUS WISLIZENII FISHHOOK BARREL		
	FOUQUIERIA SPLENDENS OCOTILLO		
	HESPERALOE PARVIFLORA RED YUCCA		
	OPUNTIA BASILARIS BEAVERTAIL PRICKLY PEAR		
	OPUNTIA SANTA-RITA PURPLE PRICKLY PEAR		
	PENIOCIEREUS GREGGII NIGHT-BLOOMING CEREUS		
	YUCCA BACCATA BANANA YUCCA		
	YUCCA ELATA SOAPTREE YUCCA		

NOTE: DASHED LINE AROUND PLANT SYMBOL INDICATES SALVAGED PLANT



AREA KEY MAP
SCALE: N.T.S.

L29 OF L43



DEPARTMENT OF TRANSPORTATION/ENGINEERING DIVISION

SILVERBELL ROAD
EL CAMINO DEL CERRO TO GORET ROAD
L29 LANDSCAPE PLAN - AREA 29

NO.	DATE	REVISION	BY	CHKD.	APPR.

PRELIMINARY
100%
REVIEW
NOT FOR
CONSTRUCTION
OR RECORDING

Approvals	Signatory	Date

Approved _____ 20__

TRANSPORTATION DIRECTOR

REF. _____ SCALE: 1" = 20'

PLAN NO. _____

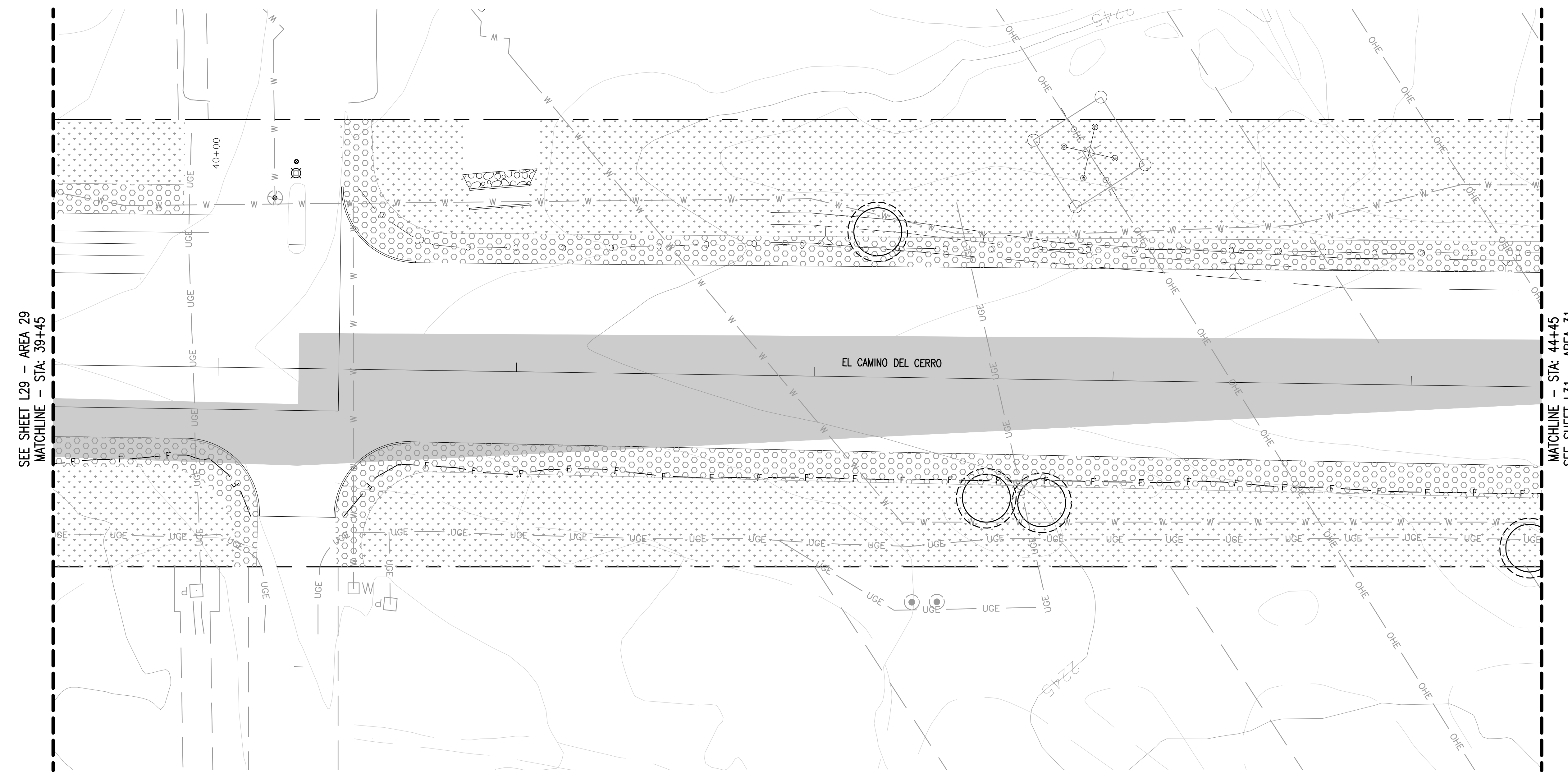
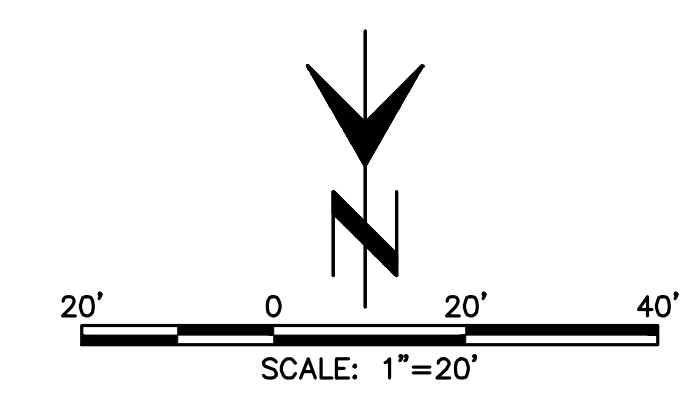
229
OF
446

Two working days before you dig,
CALL FOR THE BLUE STAKES
1-800-782-5348

DATE\$
FILE\$

McGann & Associates
Landscape Architects and Planners
www.mcgannandassociates.com 428074

DRWN. BY P.M./M. 2018 DSSN. BY S.M. 2018 CHKD. BY JS 2018



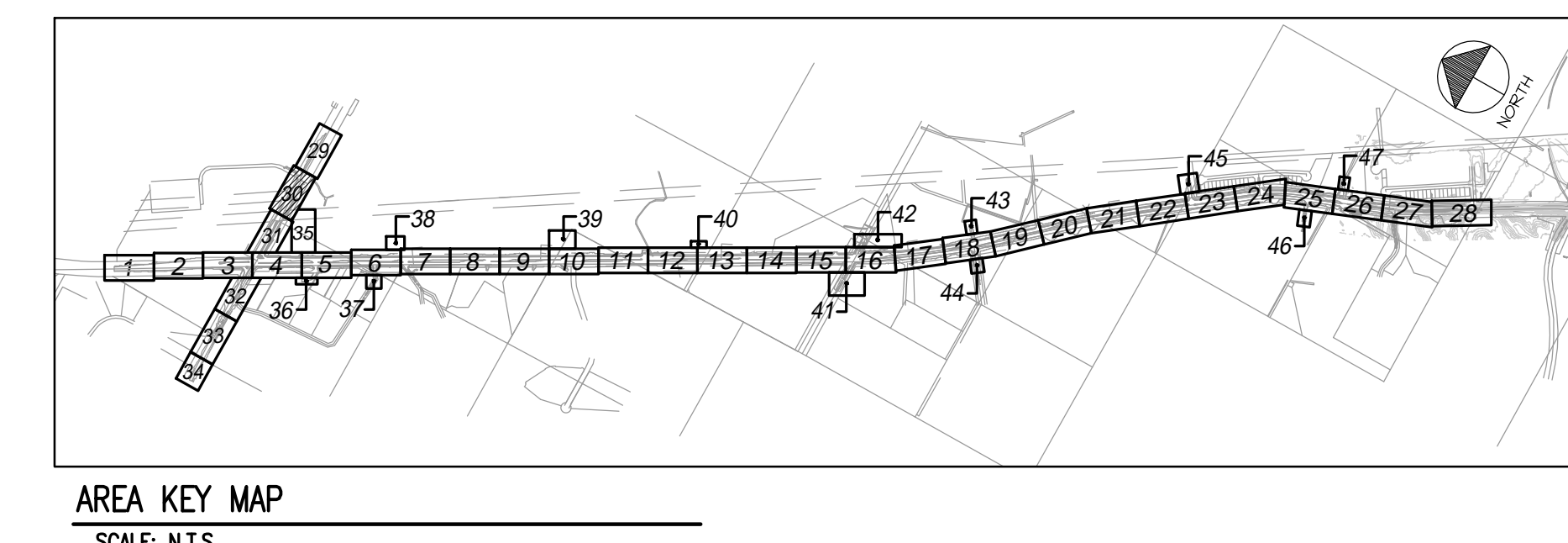
LANDSCAPE LEGEND	
	SIGHT VISIBILITY TRIANGLE
INORGANIC SURFACING	
	DECOMPOSED GRANITE SURFACING
	CONCRETE MEDIAN PAVING
	ROCK MULCH TYPE A
	SLOPE TREATMENT ROCK MULCH TYPE B
	FLEXIMAT SURFACING TO BE HYDROSEEDED WITH LOW-GROW SEED MIX
HYDROSEED MIX	
	AREA TO BE HYDROSEEDED
	AREA TO BE HYDROSEEDED WITH APPROVED LOW-GROW MIX
PROTECTION OF NATIVE VEGETATION - PRESERVATION FENCING TO BE INSTALLED DURING DEMOLITION PHASE AND IS SHOWN ON DEMOLITION PLANS FOR BIDDING AND CONSTRUCTION. PRESERVATION OF NATIVE VEGETATION IS SHOWN ON LANDSCAPE PLANS FOR REFERENCE ONLY.	

SEE SHEET LS40 TO LS43 FOR LANDSCAPE SCHEDULE AND DETAILS

LANDSCAPE PLAN - AREA 30 - STA: 39+45 TO STA: 44+55
SCALE: 1" = 20'-0"

PLANT LEGEND	
	ACACIA CONSTRICTA WHITETHORN ACACIA
	ACACIA GREGGII CATCLAW ACACIA
	CHILOPSIS LINEARIS DESERT WILLOW
	PARKINSONIA MICROPHYLLA FOOTHILLS PALO VERDE
	PROSOPIS VELUTINA VELVET MESQUITE
LARGE SHRUBS	
	LARREA TRIDENTATA CREOSOTE BUSH
	CELTIS PALLIDA DESERT HACKBERRY
	CONDALIA WARNOCKII CONDALIA
	SIMMONDSIA CHINENSIS JOJOBA
	ZIZIPHUS OBTUSIFOLIA GRAYTHORN
SMALL SHRUBS	
	AMBROSIA DELTOIDEA TRIANGLE-LEAF BURSAE
	ANISACANTHUS THURBERI DESERT HONESUCKLE
	ASCLEPIAS SURBULATA DESERT MILKWEED
	CALANDRIA ERIOPHYLLA FAIRY DUSTER
	DALEA PULCHRA BUSH DALEA
	ISOCOMA TENUISECTA BURROWEED
	JUSTITIA CALIFORNICA CHUPAROSA
	CASSIA (SENNA) WISLIZENII SHRUBBY SENNA
	PENSTEMON PARRYI PARRY PENSTEMON
CACTI AND AGAVES	
	AGAVE CHRYSANTHA GOLDEN-FLOWERED AGAVE
	AGAVE PARRYI PARRY'S AGAVE
	CARNEGIEA GIGANTEA SAGUARO
	ECHINOCEREUS ENGELMANNII HEDGEHOG CACTUS
	FEROCACTUS WISLIZENII FISHHOOK BARREL
	FOUQUIERIA SPLENDENS OCOTILLO
	HESPERALOE PARVIFLORA RED YUCCA
	OPUNTIA BASILARIS BEAVERTAIL PRICKLY PEAR
	OPUNTIA SANTA-RITA PURPLE PRICKLY PEAR
	PENIOCIEREUS GREGGII NIGHT-BLOOMING CERES
	YUCCA BACCATA BANANA YUCCA
	YUCCA ELATA SOAPTREE YUCCA
PRESERVED IN PLACE	
	TREE TO BE PRESERVED IN PLACE
	SHRUB TO BE PRESERVED IN PLACE
	CACTUS TO BE PRESERVED IN PLACE

NOTE: DASHED LINE AROUND PLANT SYMBOL INDICATES SALVAGED PLANT



L30 OF L43



DEPARTMENT OF TRANSPORTATION/ENGINEERING DIVISION

SILVERBELL ROAD
EL CAMINO DEL CERRO TO GORET ROAD
L30 LANDSCAPE PLAN - AREA 30

NO.	DATE	REVISION	BY	CHKD.	APPR.

PRELIMINARY
100%
REVIEW
NOT FOR
CONSTRUCTION
OR RECORDING

Approvals	Signatory	Date

Approved _____ 20__

TRANSPORTATION DIRECTOR

REF. _____ SCALE: 1" = 20'

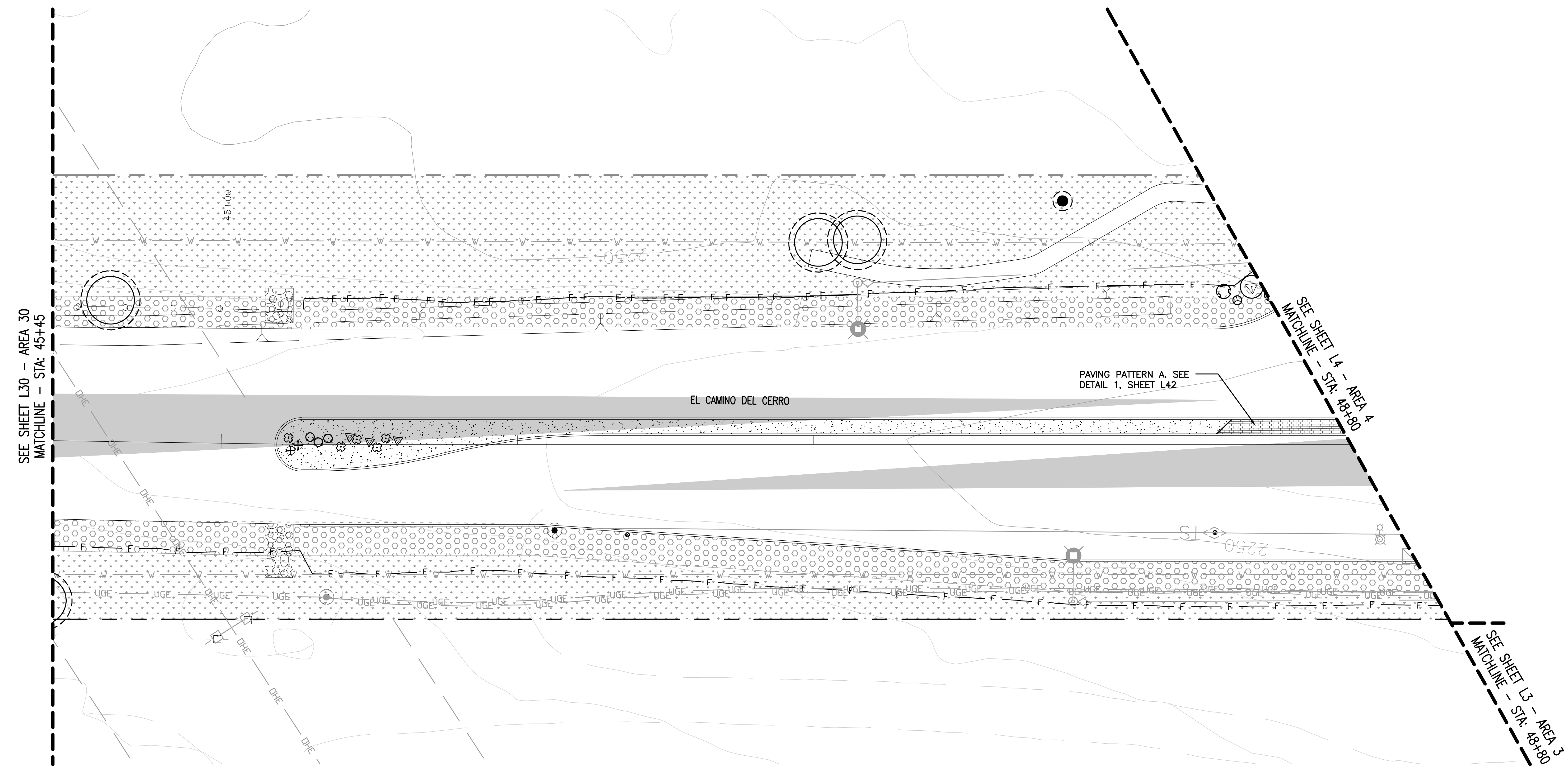
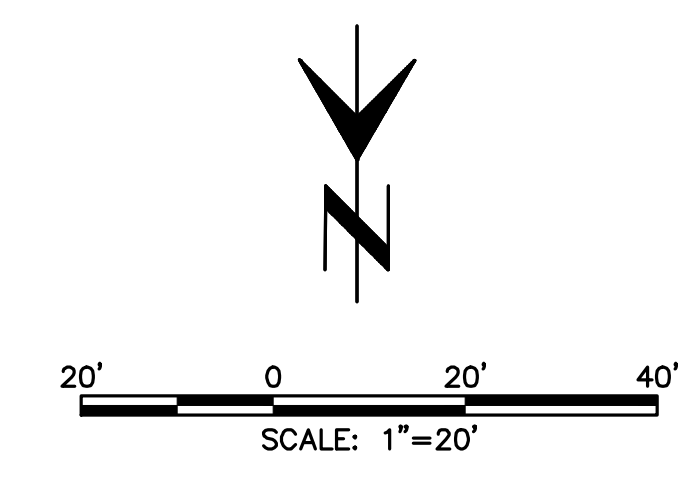
PLAN NO. _____

230
OF
446

Two working days before you dig,
CALL FOR THE BLUE STAKES
1-800-782-5348

DATE \$
FILE \$

McGann & Associates
Landscape Architects and Planners
www.mcgannandassociates.com 428074



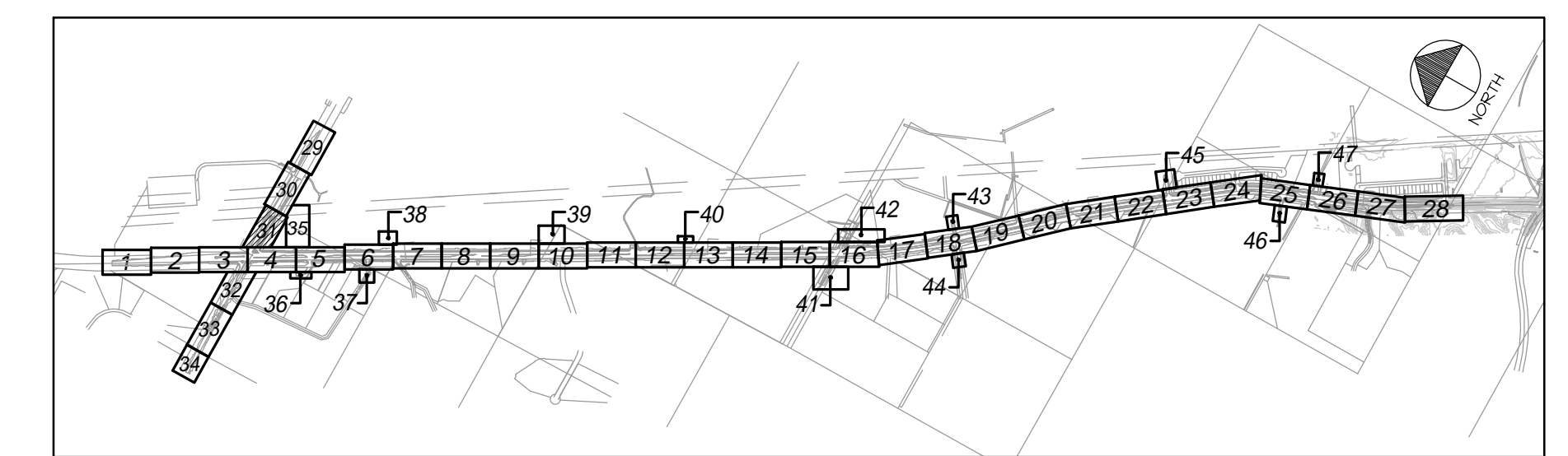
LANDSCAPE LEGEND	
	SIGHT VISIBILITY TRIANGLE
INORGANIC SURFACING	
	DECOMPOSED GRANITE SURFACING
	CONCRETE MEDIAN PAVING
	ROCK MULCH TYPE A
	SLOPE TREATMENT ROCK MULCH TYPE B
	FLEXIMAT SURFACING TO BE HYDROSEEDED WITH LOW-GROW SEED MIX
HYDROSEED MIX	
	AREA TO BE HYDROSEEDED
	AREA TO BE HYDROSEEDED WITH APPROVED LOW-GROW MIX
PROTECTION OF NATIVE VEGETATION - PRESERVATION FENCING TO BE INSTALLED DURING DEMOLITION PHASE AND IS SHOWN ON DEMOLITION PLANS FOR BIDDING AND CONSTRUCTION. PRESERVATION OF NATIVE VEGETATION IS SHOWN ON LANDSCAPE PLANS FOR REFERENCE ONLY.	

SEE SHEET LS40 TO LS43 FOR LANDSCAPE SCHEDULE AND DETAILS

LANDSCAPE PLAN - AREA 31 - STA: 44+45 TO STA: 48+80
SCALE: 1" = 20'-0"

PLANT LEGEND	
	ACACIA CONSTRICTA WHITETHORN ACACIA
	ACACIA GREGGII CATCLAW ACACIA
	CHILOPSIS LINEARIS DESERT WILLOW
	PARKINSONIA MICROPHYLLA FOOTHILLS PALO VERDE
	PROSOPIS VELUTINA VELVET MESQUITE
LARGE SHRUBS	
	LARREA TRIDENTATA CREOSOTE BUSH
	CELTIS PALLIDA DESERT HACKBERRY
	CONDALIA WARNOCKII CONDALIA
	SIMMONDSIA CHINENSIS JOJOBA
	ZIZIPHUS OBTUSIFOLIA GRAYTHORN
SMALL SHRUBS	
	AMBROSIA DELTOIDEA TRIANGLE-LEAF BURSAE
	ANISACANTHUS THURBERI DESERT HONESUCKLE
	ASCLEPIAS SURCULATA DESERT MILKWEED
	CALLIANDRA ERIOPHYLLA FAIRY DUSTER
	DALEA PULCHRA BUSH DALEA
	ISOCOMA TENUISECTA BURROWEED
	JUSTITIA CALIFORNICA CHUPAROSA
	CASSIA (SENNA) WISLIZENII SHRUBBY SENNA
	PENSTEMON PARRYI PARRY PENSTEMON
CACTI AND AGAVES	
	AGAVE CHRYSANTHA GOLDEN-FLOWERED AGAVE
	AGAVE PARRYI PARRY'S AGAVE
	CARNEGIA GIGANTEA SAGUARO
	ECHINOCEREUS ENGELMANNII HEDGEHOG CACTUS
	FEROCACTUS WISLIZENI FISHHOOK BARREL
	FOUQUIERIA SPLENDENS OCOTILLO
	HESPERALOE PARVIFLORA RED YUCCA
	OPUNTIA BASILARIS BEAVERTAIL PRICKLY PEAR
	OPUNTIA SANTA-RITA PURPLE PRICKLY PEAR
	PENIOCIEREUS GREGGII NIGHT-BLOOMING CERESUS
	YUCCA BACCATA BANANA YUCCA
	YUCCA ELATA SOAPTREE YUCCA
	TREE TO BE PRESERVED IN PLACE
	SHRUB TO BE PRESERVED IN PLACE
	CACTUS TO BE PRESERVED IN PLACE

NOTE: DASHED LINE AROUND PLANT SYMBOL INDICATES SALVAGED PLANT



AREA KEY MAP
SCALE: N.T.S.

L31 OF L43



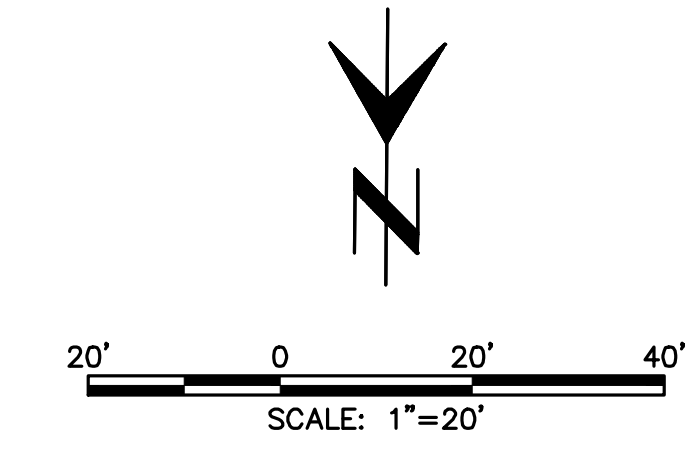
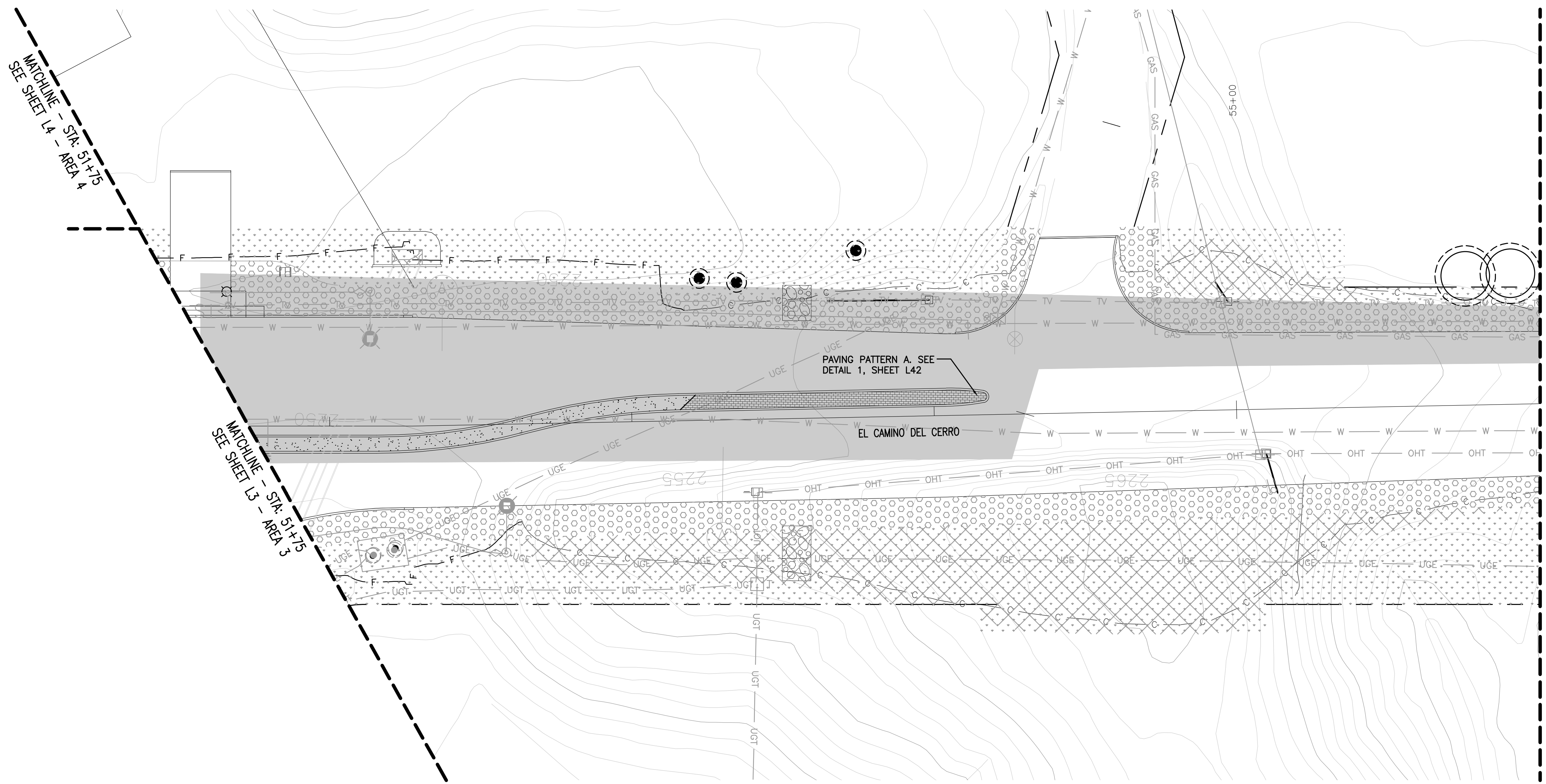
DEPARTMENT OF TRANSPORTATION/ENGINEERING DIVISION

SILVERBELL ROAD
EL CAMINO DEL CERRO TO GORET ROAD
L31 LANDSCAPE PLAN - AREA 31

PRELIMINARY 100% REVIEW NOT FOR CONSTRUCTION OR RECORDING	<table border="1"> <tr> <th>Approvals</th> <th>Signatory</th> <th>Date</th> </tr> <tr> <td></td> <td></td> <td></td> </tr> <tr> <td></td> <td></td> <td></td> </tr> <tr> <td></td> <td></td> <td></td> </tr> </table>	Approvals	Signatory	Date										<table border="1"> <tr> <td>Approved _____ 20__</td> <td rowspan="2">231 OF 446</td> </tr> <tr> <td>TRANSPORTATION DIRECTOR</td> </tr> <tr> <td>REF. _____</td> <td>SCALE: 1" = 20'</td> </tr> <tr> <td>PLAN NO. _____</td> <td></td> </tr> </table>	Approved _____ 20__	231 OF 446	TRANSPORTATION DIRECTOR	REF. _____	SCALE: 1" = 20'	PLAN NO. _____	
Approvals	Signatory	Date																			
Approved _____ 20__	231 OF 446																				
TRANSPORTATION DIRECTOR																					
REF. _____	SCALE: 1" = 20'																				
PLAN NO. _____																					
<table border="1"> <tr> <th>NO.</th> <th>DATE</th> <th>REVISION</th> <th>BY</th> <th>CHKD.</th> <th>APPR.</th> </tr> <tr> <td> </td> <td> </td> <td> </td> <td> </td> <td> </td> <td> </td> </tr> </table>	NO.	DATE	REVISION	BY	CHKD.	APPR.							<p>McGann & Associates Landscape Architects and Planners www.mcgann.com 520.782.5348</p>								
NO.	DATE	REVISION	BY	CHKD.	APPR.																

Two working days before you dig,
CALL FOR THE BLUE STAKES
1-800-782-5348

DATE \$
FILE \$



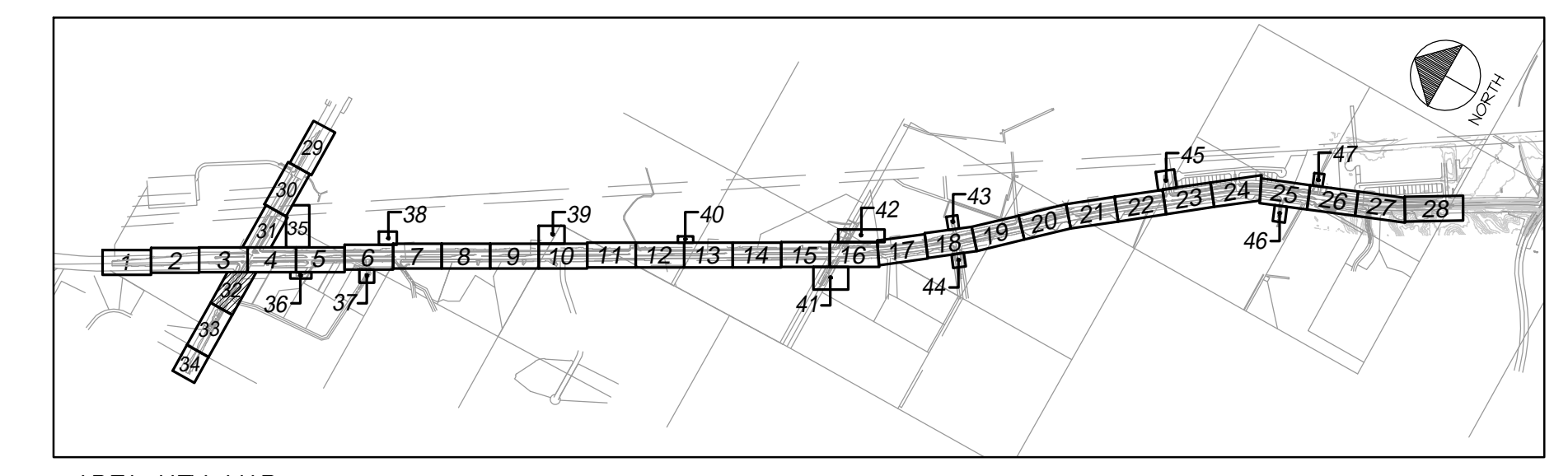
LANDSCAPE LEGEND	
	SIGHT VISIBILITY TRIANGLE
INORGANIC SURFACING	
	DECOMPOSED GRANITE SURFACING
	CONCRETE MEDIAN PAVING
	ROCK MULCH TYPE A
	ROCK MULCH TYPE B
	FLEXIMAT SURFACING TO BE HYDROSEEDED WITH LOW-GROW SEED MIX
HYDROSEED MIX	
	AREA TO BE HYDROSEEDED
	AREA TO BE HYDROSEEDED WITH APPROVED LOW-GROW MIX
PROTECTION OF NATIVE VEGETATION - PRESERVATION FENCING TO BE INSTALLED DURING DEMOLITION PHASE AND IS SHOWN ON DEMOLITION PLANS FOR BIDDING AND CONSTRUCTION. PRESERVATION OF NATIVE VEGETATION IS SHOWN ON LANDSCAPE PLANS FOR REFERENCE ONLY.	

SEE SHEET LS40 TO LS43 FOR LANDSCAPE SCHEDULE AND DETAILS

LANDSCAPE PLAN - AREA 32 - STA: 51+75 TO STA: 56+00
SCALE: 1" = 20'-0"

PLANT LEGEND	
	ACACIA CONSTRICTA WHITETHORN ACACIA
	ACACIA GREGGII CATCLAW ACACIA
	CHILOPSIS LINEARIS DESERT WILLOW
	PARKINSONIA MICROPHYLLA FOOTHILLS PALO VERDE
	PROSOPIS VELUTINA VELVET MESQUITE
	LARGE SHRUBS
	LARREA TRIDENTATA CREOSOTE BUSH
	CELTIS PALLIDA DESERT HACKBERRY
	CONDALIA WARNOCKII CONDALIA
	SIMMONDSIA CHINENSIS JOJOBA
	ZIZIPHUS OBTUSIFOLIA GRAYTHORN
	SMALL SHRUBS
	AMBROSIA DELTOIDEA TRIANGLE-LEAF BURSAGE
	ANISACANTHUS THURBERI DESERT HONESUCKLE
	ASCLEPIAS SURBULATA DESERT MILKWEEED
	CALANDRIA ERIOPHYLLA FAIRY DUSTER
	DALEA PULCHRA BUSH DALEA
	ISOCOMA TENUISECTA BURROWEED
	JUSTICIA CALIFORNICA CHUPAROSA
	CASSIA (SENNA) WISLIZENII SHRUBBY SENNA
	PENSTEMON PARRYI PARRY PENSTEMON
	CACTI AND AGAVES
	AGAVE CHRYSANTHA GOLDEN-FLOWERED AGAVE
	AGAVE PARRYI PARRY'S AGAVE
	CARNEGIEA GIGANTEA SAGUARO
	ECHINOCEREUS ENGELMANNII HEDGEHOG CACTUS
	FEROACTUS WISLIZENII FISHHOOK BARREL
	FOUQUIERIA SPLENDENS OCOTILLO
	HESPERALOE PARVIFLORA RED YUCCA
	OPUNTIA BASILARIS BEAVERTAIL PRICKLY PEAR
	OPUNTIA SANTA-RITA PURPLE PRICKLY PEAR
	PENIOCEREUS GREGGII NIGHT-BLOOMING CERESUS
	YUCCA BACCATA BANANA YUCCA
	YUCCA ELATA SOAPTREE YUCCA
	TREE TO BE PRESERVED IN PLACE
	SHRUB TO BE PRESERVED IN PLACE
	CACTUS TO BE PRESERVED IN PLACE
	PRESERVED IN PLACE

NOTE: DASHED LINE AROUND PLANT SYMBOL INDICATES SALVAGED PLANT



AREA KEY MAP
SCALE: N.T.S.

L32 OF L43



DEPARTMENT OF TRANSPORTATION/ENGINEERING DIVISION

SILVERBELL ROAD
EL CAMINO DEL CERRO TO GORET ROAD
L32 LANDSCAPE PLAN - AREA 32

NO.	DATE	REVISION	BY	CHKD.	APPR.

PRELIMINARY
100%
REVIEW
NOT FOR
CONSTRUCTION
OR RECORDING

Approvals	Signatory	Date	Approved
			20__

TRANSPORTATION DIRECTOR

REF. SCALE: 1" = 20'

PLAN NO. _____

232
OF
446

Two working days before you dig,
CALL FOR THE BLUE STAKES
1-800-782-5348

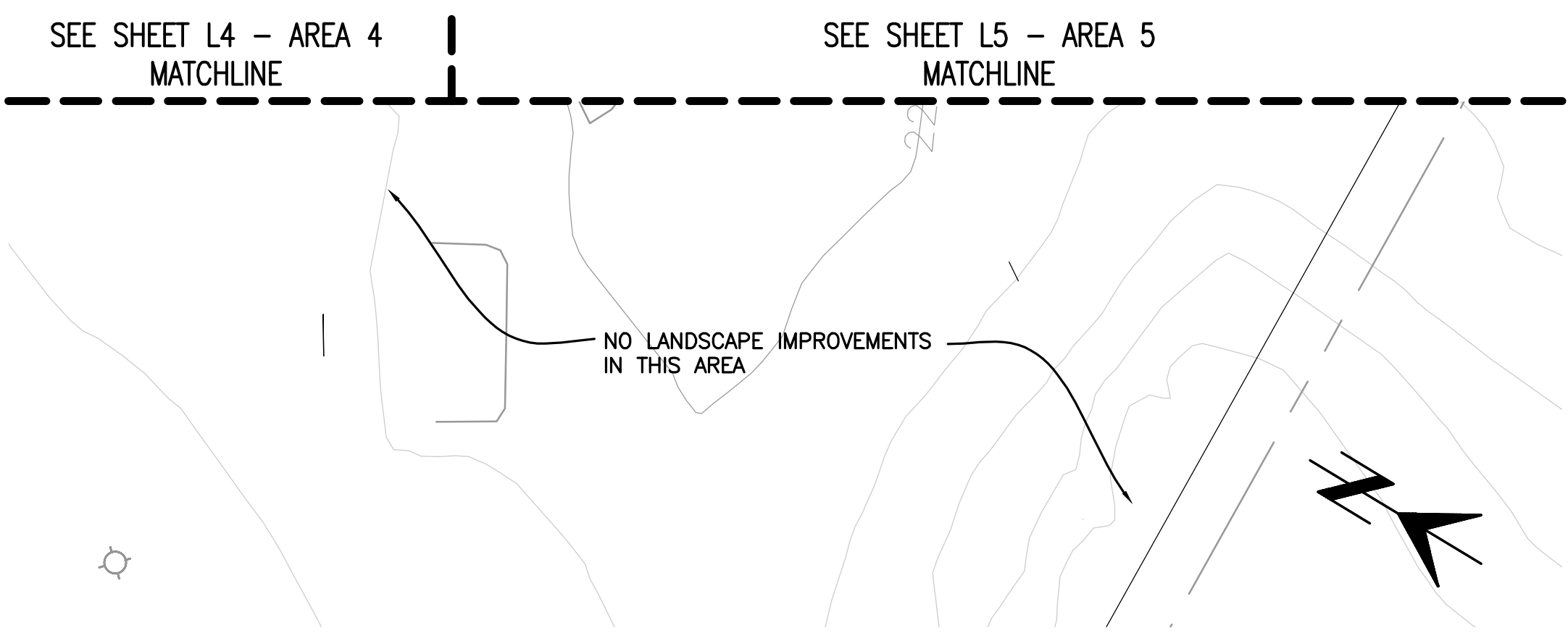
DATE\$
FILE\$



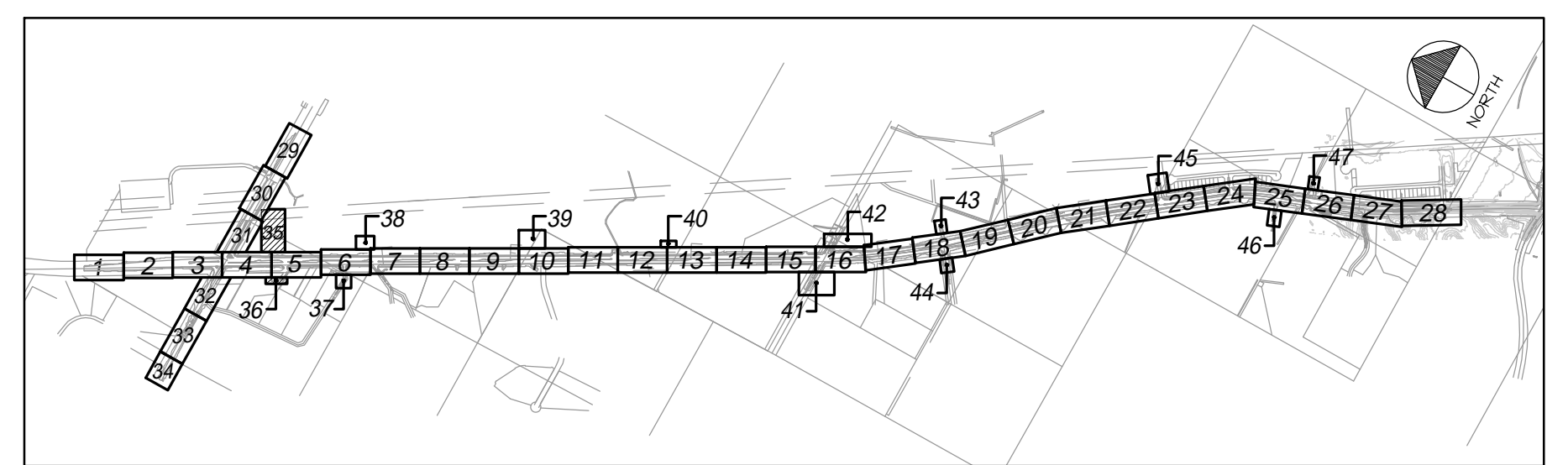
LANDSCAPE LEGEND	
	SIGHT VISIBILITY TRIANGLE
INORGANIC SURFACING	
	DECOMPOSED GRANITE SURFACING
	CONCRETE MEDIAN PAVING
	ROCK MULCH TYPE A
	ROCK MULCH TYPE B
	FLEXIMAT SURFACING TO BE HYDROSEEDED WITH LOW-GROW SEED MIX
HYDROSEED MIX	
	AREA TO BE HYDROSEEDED
	AREA TO BE HYDROSEEDED WITH APPROVED LOW-GROW MIX
PROTECTION OF NATIVE VEGETATION - PRESERVATION FENCING TO BE INSTALLED DURING DEMOLITION PHASE AND IS SHOWN ON DEMOLITION PLANS FOR BIDDING AND CONSTRUCTION. PRESERVATION OF NATIVE VEGETATION IS SHOWN ON LANDSCAPE PLANS FOR REFERENCE ONLY.	

SEE SHEET LS40 TO LS43 FOR LANDSCAPE SCHEDULE AND DETAILS

LANDSCAPE PLAN - AREA 35
SCALE: 1" = 20'-0"



LANDSCAPE PLAN - AREA 36
SCALE: 1" = 20'-0"



AREA KEY MAP
SCALE: N.T.S.

PLANT LEGEND		TREES		LARGE SHRUBS		SMALL SHRUBS		CACTI AND ACCENTS		PRESERVED IN PLACE	
	ACACIA CONSTRICTA WHITETHORN ACACIA		PARKINSONIA MICROPHYLLA FOOTHILLS PALO VERDE		LARREA TRIDENTATA CREOSOTE BUSH		AMBROSIA DELTOIDEA TRIANGLE-LEAF BURSAGE		AGAVE CHRYSANTHA GOLDEN-FLOWERED AGAVE		HESPERALOE PARVIFLORA RED YUCCA
	ACACIA GREGGII CATCLAW ACACIA		PROSOPIS VELUTINA VELVET MESQUITE		CELTIS PALLIDA DESERT HACKBERRY		ANISACANTHUS THURBERI DESERT HONESUCKLE		AGAVE PARRYI PARRY'S AGAVE		OPUNTIA BASILARIS BEAVERTAIL PRICKLY PEAR
	CHILOPSIS LINEARIS DESERT WILLOW		SIMMONDSIA CHINENSIS JOJOBA		CONDALIA WARNOCKII CONDALIA		ASCLEPIAS SUBULATA DESERT MILKWEED		CARNEGIEA GIGANTEA SAGUARO		OPUNTIA SANTA-RITA PURPLE PRICKLY PEAR
			ZIZIPHUS OBTUSIFOLIA GRAYTHORN		ISOCOMA TENUISECTA BURROWEED		CASSIA (SENNA) WISLIZENII SHRUBBY SENNA		ECHINOCEREUS ENGELMANNII HEDGEHOG CACTUS		PENIOCEREUS GREGGII NIGHT BLOOMING CEREUS
					JUSTITIA CALIFORNICA CHUPAROSA		FOUQUIERIA SPLENDENS OCOTILLO		FOUQUIERIA SPLENDENS OCOTILLO		YUCCA ELATA SOAPTREE YUCCA
					PENSTEMON PARRYI PARRY PENSTEMON				CACTUS TO BE PRESERVED IN PLACE		SHRUB TO BE PRESERVED IN PLACE

NOTE: DASHED LINE AROUND PLANT SYMBOL INDICATES SALVAGED PLANT

McGinn & Associates
Landscape Architects and Planners
1814 North Chino Road, Suite 210, Tucson AZ 85714



DEPARTMENT OF TRANSPORTATION/ENGINEERING DIVISION

SILVERBELL ROAD
EL CAMINO DEL CERRO TO GORET ROAD
L35 LANDSCAPE PLAN - AREAS 35 AND 36

NO.	DATE	REVISION	BY	CHKD.	APPR.

PRELIMINARY
100%
REVIEW
NOT FOR
CONSTRUCTION
OR RECORDING

Approvals	Signatory	Date	Approved	235 OF 446

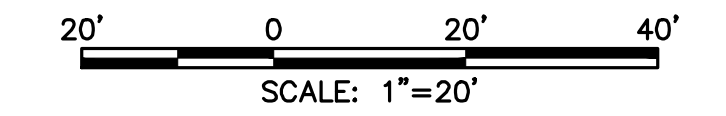
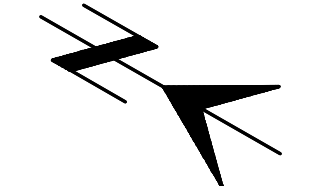
TRANSPORTATION DIRECTOR

REF. SCALE: 1" = 20'

PLAN NO.

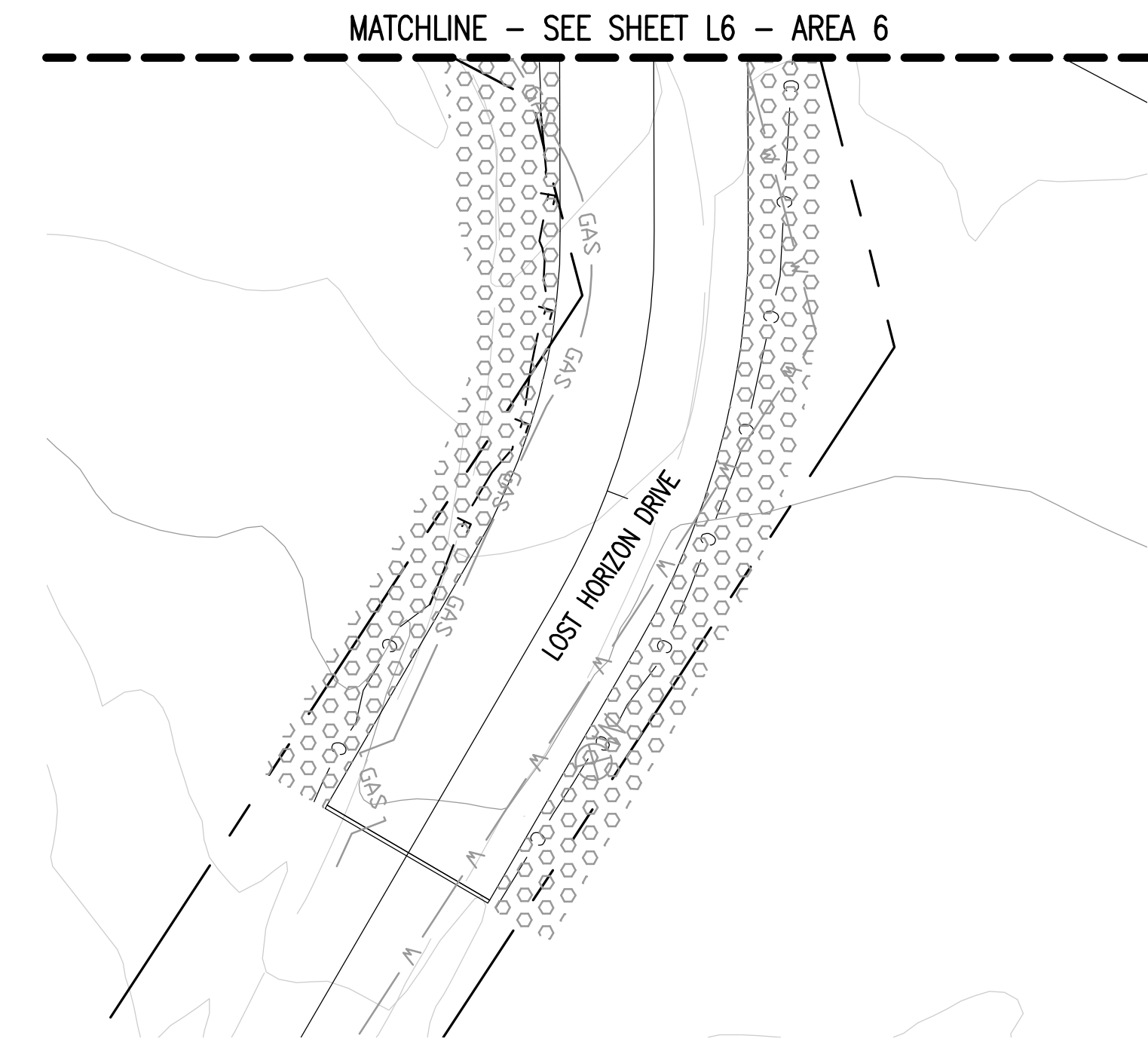
DATE \$
FILE \$

Two working days before you dig,
CALL FOR THE BLUE STAKES
1-800-782-5348

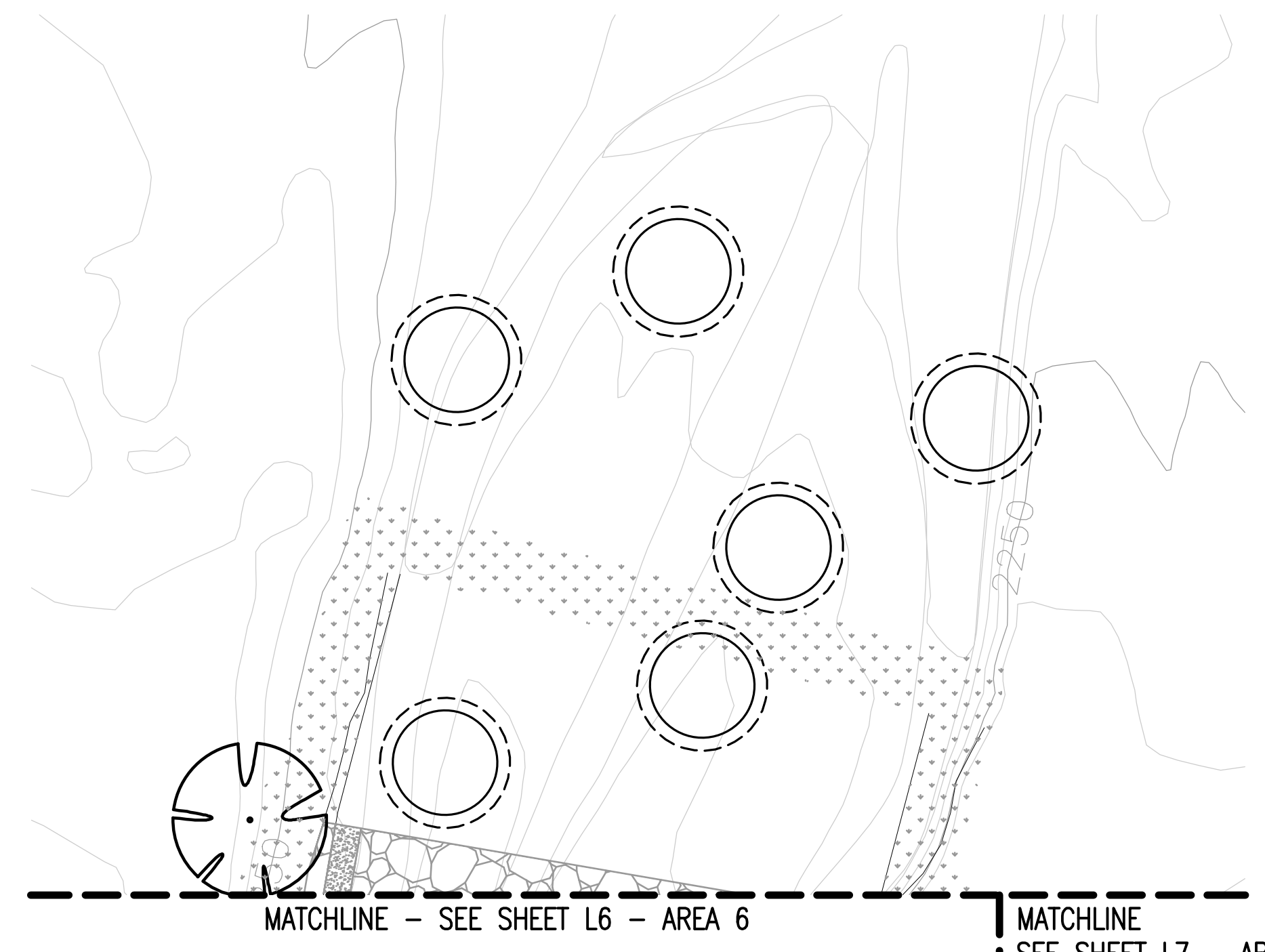


LANDSCAPE LEGEND	
	SIGHT VISIBILITY TRIANGLE
INORGANIC SURFACING	
	DECOMPOSED GRANITE SURFACING
	CONCRETE MEDIAN PAVING
	ROCK MULCH TYPE A
	ROCK MULCH TYPE B
	FLEXIMAT SURFACING TO BE HYDROSEEDED WITH LOW-GROW SEED MIX
HYDROSEED MIX	
	AREA TO BE HYDROSEEDED
	AREA TO BE HYDROSEEDED WITH APPROVED LOW-GROW MIX
PROTECTION OF NATIVE VEGETATION - PRESERVATION FENCING TO BE INSTALLED DURING DEMOLITION PHASE AND IS SHOWN ON DEMOLITION PLANS FOR BIDDING AND CONSTRUCTION. PRESERVATION OF NATIVE VEGETATION IS SHOWN ON LANDSCAPE PLANS FOR REFERENCE ONLY.	

SEE SHEET LS40 TO LS43 FOR LANDSCAPE SCHEDULE AND DETAILS



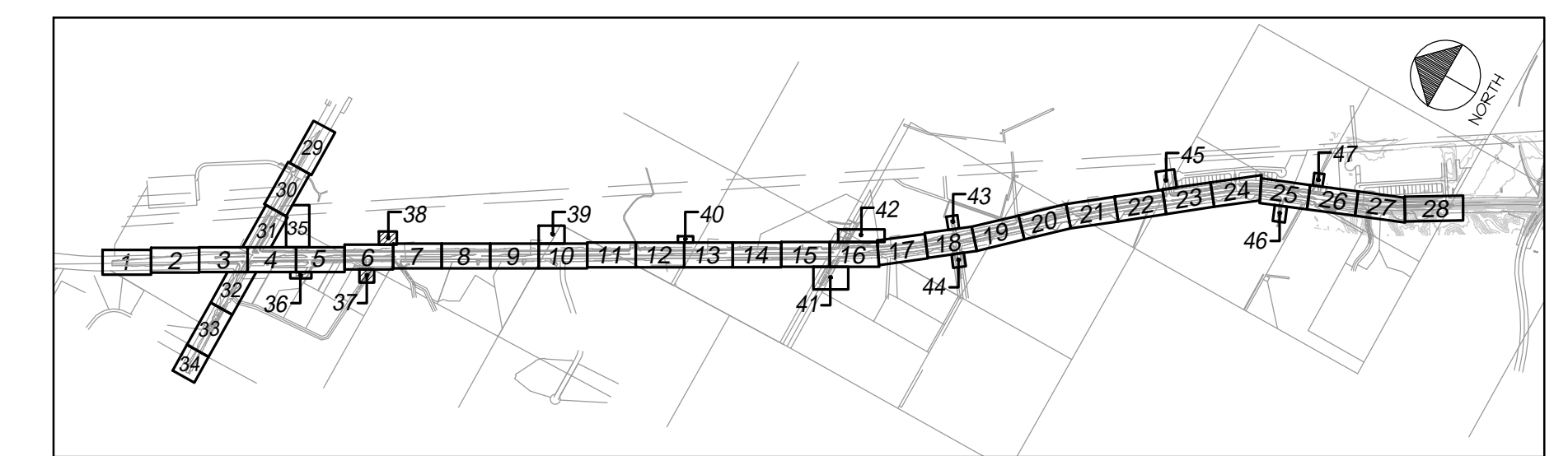
LANDSCAPE PLAN - AREA 37
SCALE: 1" = 20'-0"



LANDSCAPE PLAN - AREA 38
SCALE: 1" = 20'-0"

PLANT LEGEND		TREES	
	ACACIA CONSTRICTA WHITETHORN ACACIA		PARKINSONIA MICROPHYLLA FOOTHILLS PALO VERDE
	ACACIA GREGGII CATCLAW ACACIA		PROSOPIS VELUTINA VELVET MESQUITE
	CHILOPSIS LINEARIS DESERT WILLOW		
	LARREA TRIDENTATA CREOSOTE BUSH		CELTIS PALLIDA DESERT HACKBERRY
	CONDALIA WARNOCKII CONDALIA		SIMMONDSIA CHINENSIS JOJOBA
	ZIZIPHUS OBTUSIFOLIA GRAYTHORN		AMBROSIA DELTOIDEA TRIANGLE-LEAF BURSAGE
	ANISACANTHUS THURBERI DESERT HONESUCKLE		ASCLEPIAS SUBULATA DESERT MILKWEED
	CALLIANDRA ERIOPHYLLA Fairy DUSTER		DALEA PULCHRA BUSH DALEA
	ISOCOMA TENUISECTA BURROWEED		JUSTICIA CALIFORNICA CHUPAROSA
	CASSIA (SENNA) WISLIZENII SHRUBBY SENNA		CASSIA (SENNA) WISLIZENII SHRUBBY SENNA
	PENSTEMON PARRYI PARRY PENSTEMON		PENSTEMON PARRYI PARRY PENSTEMON
	AGAVE CHRYSANTHA GOLDEN-FLOWERED AGAVE		HESPERALOE PARVIFLORA RED YUCCA
	AGAVE PARRYI PARRY'S AGAVE		OPUNTIA BASILARIS BEAVERTAIL PRICKLY PEAR
	CARNEGIEA GIGANTEA SAGUARO		OPUNTIA SANTA-RITA PURPLE PRICKLY PEAR
	ECHINOEREUS ENGELMANNII HEDGEHOG CACTUS		PENIOCIEREUS GREGGII NIGHT BLOOMING CERESUS
	FEROACTUS WISLIZENII FISHHOOK BARREL		YUCCA BACCATA BANANA YUCCA
	FOQUIERIA SPLENDENS OCOTILLO		YUCCA ELATA SOAPTREE YUCCA
	TREE TO BE PRESERVED IN PLACE		SHRUB TO BE PRESERVED IN PLACE
	CACTUS TO BE PRESERVED IN PLACE		

NOTE: DASHED LINE AROUND PLANT SYMBOL INDICATES SALVAGED PLANT



AREA KEY MAP
SCALE: N.T.S.

L36 OF L43



DEPARTMENT OF TRANSPORTATION/ENGINEERING DIVISION

SILVERBELL ROAD
EL CAMINO DEL CERRO TO GORET ROAD
L36 LANDSCAPE PLAN - AREAS 37 AND 38

NO.	DATE	REVISION	BY	CHKD.	APPR.

PRELIMINARY
100%
REVIEW
NOT FOR
CONSTRUCTION
OR RECORDING

Approvals	Signatory	Date

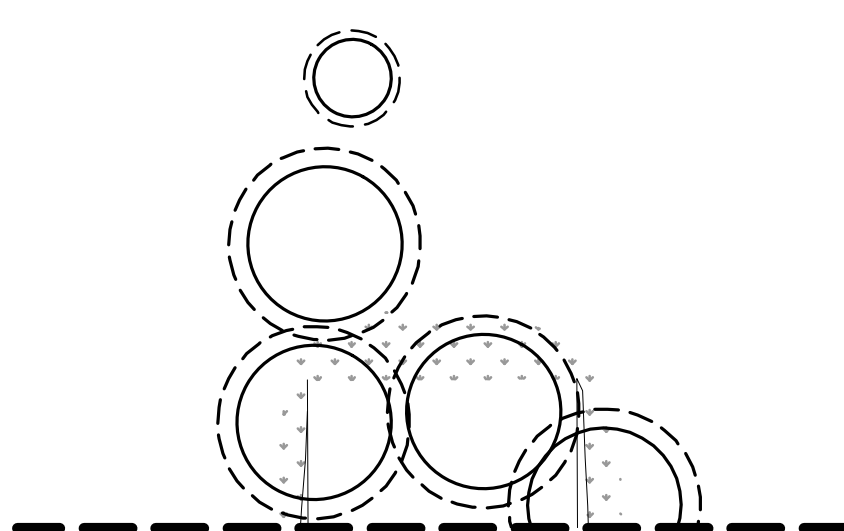
Approved _____ 20__ 236 OF 446
TRANSPORTATION DIRECTOR
REF. _____ SCALE: 1" = 20'
PLAN NO. _____

Two working days before you dig,
CALL FOR THE BLUE STAKES
1-800-782-5348

DATE \$
FILE \$



LANDSCAPE PLAN - AREA 39
SCALE: 1" = 20'-0"

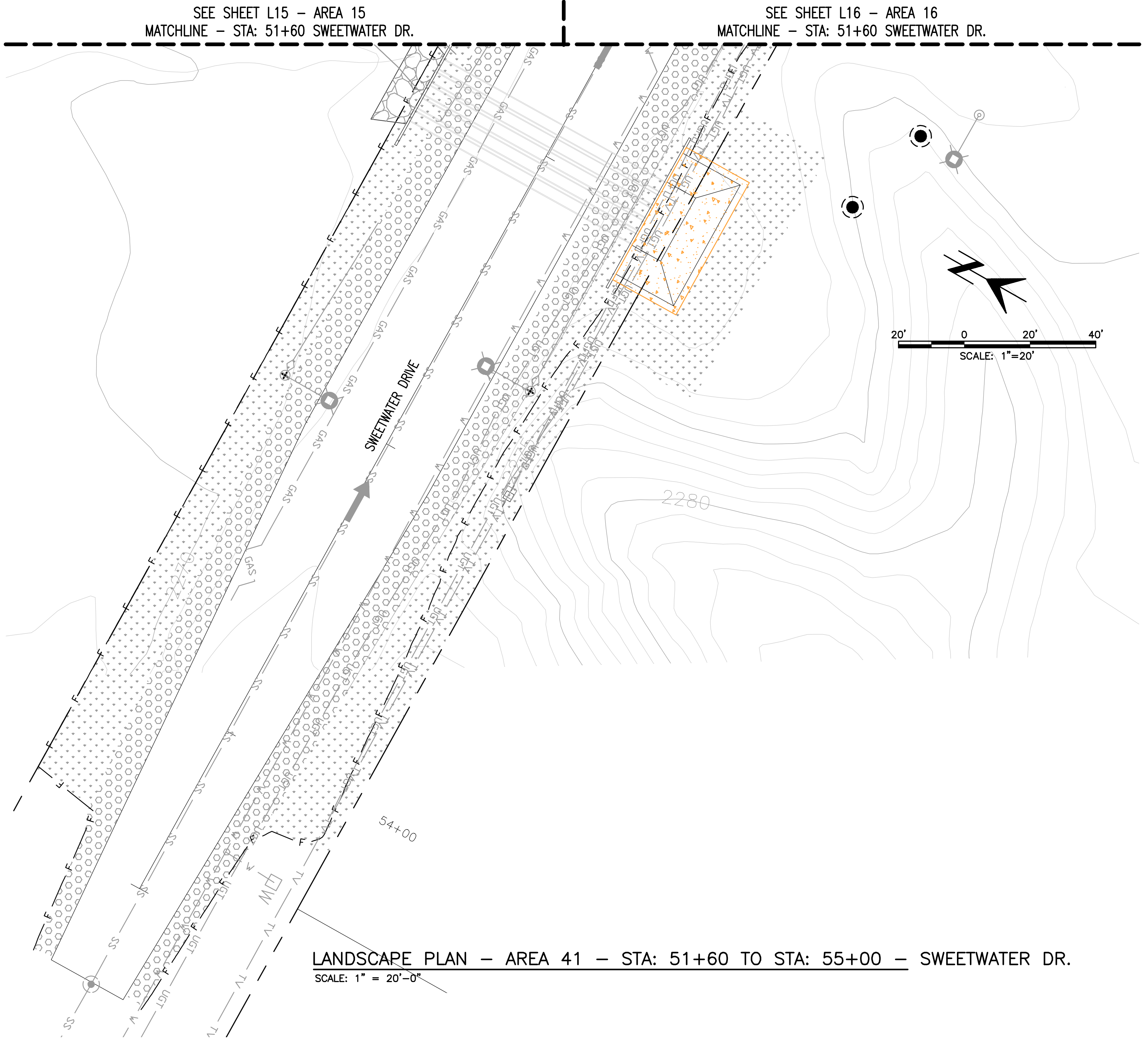


LANDSCAPE PLAN - AREA 40
SCALE: 1" = 20'-0"

MATCHLINE - SEE SHEET L10 - AREA 10

MATCHLINE SEE SHEET L12 - AREA 12 | MATCHLINE SEE SHEET L13 - AREA 13

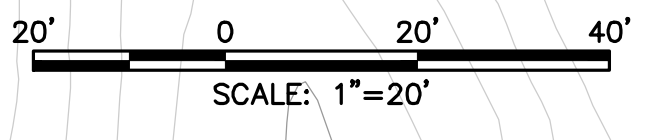
LANDSCAPE LEGEND	
	SIGHT VISIBILITY TRIANGLE
INORGANIC SURFACING	
	DECOMPOSED GRANITE SURFACING
	CONCRETE MEDIAN PAVING
	ROCK MULCH TYPE A
	ROCK MULCH TYPE B
HYDROSEED MIX	
	AREA TO BE HYDROSEEDED
	AREA TO BE HYDROSEEDED WITH APPROVED LOW-GROW MIX
PROTECTION OF NATIVE VEGETATION - PRESERVATION FENCING TO BE INSTALLED DURING DEMOLITION PHASE AND IS SHOWN ON DEMOLITION PLANS FOR BIDDING AND CONSTRUCTION. PRESERVATION OF NATIVE VEGETATION IS SHOWN ON LANDSCAPE PLANS FOR REFERENCE ONLY.	



LANDSCAPE PLAN - AREA 41 - STA: 51+60 TO STA: 55+00 - SWEETWATER DR.
SCALE: 1" = 20'-0"

SEE SHEET L15 - AREA 15
MATCHLINE - STA: 51+60 SWEETWATER DR.

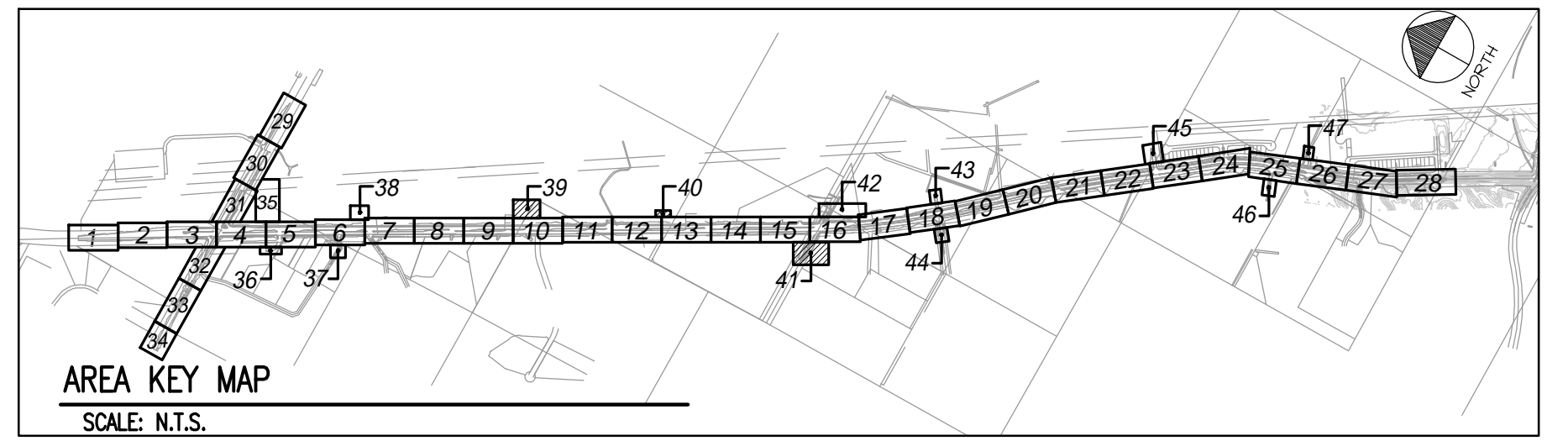
SEE SHEET L16 - AREA 16
MATCHLINE - STA: 51+60 SWEETWATER DR.



PLANT LEGEND

	ACACIA CONSTRICTA WHITETHORN ACACIA		PARKINSONIA MICROPHYLLA FOOTHILLS PALO VERDE		LARREA TRIDENTATA CREOSOTE BUSH		AMBROSIA DELTOIDEA TRIANGLE-LEAF BURSAGE		AGAVE CHRYSANTHA GOLDEN-FLOWERED AGAVE		HESPERALOE PARVIFLORA RED YUCCA		TREE TO BE PRESERVED IN PLACE
	ACACIA GREGGII CATCLAW ACACIA		PROSOPIS VELUTINA VELVET MESQUITE		CELTIS PALLIDA DESERT HACKBERRY		ANISACANTHUS THURBERI DESERT HONESUCKLE		AGAVE PARRYI PARRY'S AGAVE		OPUNTIA BASILARIS BEAVERTAIL PRICKLY PEAR		CACTUS TO BE PRESERVED IN PLACE
	CHILOPSIS LINEARIS DESERT WILLOW		CONDALIA WARNOCKII CONDALIA		ASCLEPIAS SUBULATA DESERT MILKWEED		CALANDRA ERIOPHYLLA FAIRY DUSTER		CARNEGIA GIGANTEA SAGUARO		OPUNTIA SANTA-RITA PURPLE PRICKLY PEAR		
			SIMMONDSIA CHINENSIS JOJOBA		DALEA PULCHRA BUSH DALEA		ISOCOMA TENUISECTA BURROWEED		ECHINOCEREUS ENGELMANNII HEDGEHOG CACTUS		PENIOCEREUS GREGGII NIGHT BLOOMING CEREUS		
			ZIZIPHUS OBTUSIFOLIA GRAYTHORN		JUSTICIA CALIFORNICA CHUPAROSA		CASSIA (SENNA) WISLIZENII SHRUBBY SENNA		FEROCACTUS WISLIZENII FISHHOOK BARREL		YUCCA BACCATA BANANA YUCCA		
					PENSTEMON PARRYI PARRY PENSTEMON		FOUQUIERIA SPLENDENS OCOTILLO		YUCCA ELATA SOAPTREE YUCCA				

NOTE: DASHED LINE AROUND PLANT SYMBOL INDICATES SALVAGED PLANT



AREA KEY MAP
SCALE: N.T.S.

L37 OF L43

McGann & Associates
Landscape Architects and Planners



DEPARTMENT OF TRANSPORTATION/ENGINEERING DIVISION

SILVERBELL ROAD
EL CAMINO DEL CERRO TO GORET ROAD
L37 LANDSCAPE PLAN - AREAS 39, 40, AND 41

NO.	DATE	REVISION	BY	CHKD.	APPR.

PRELIMINARY
100%
REVIEW
NOT FOR
CONSTRUCTION
OR RECORDING

Approvals	Signatory	Date

Approved _____ 20__

TRANSPORTATION DIRECTOR

REF. _____ SCALE: 1" = 20'

PLAN NO. _____

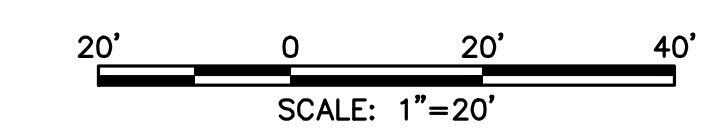
237
OF
446

DATE \$
FILE \$

Two working days before you dig,
CALL FOR THE BLUE STAKES
1-800-782-5348

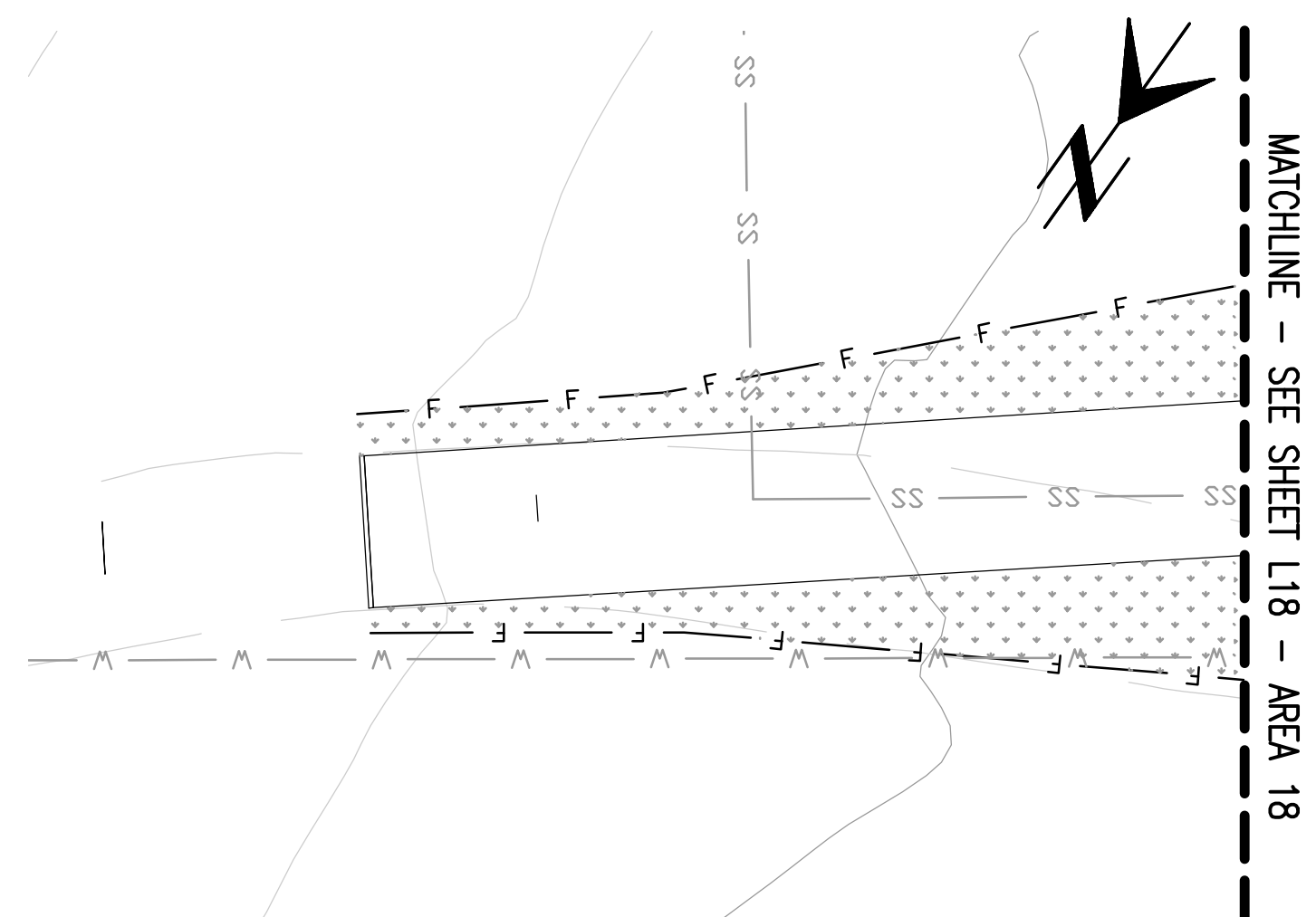


LANDSCAPE PLAN - AREA 42 - STA: 47+20 TO STA: 48+70 - SWEETWATER DR.
SCALE: 1" = 20'-0"

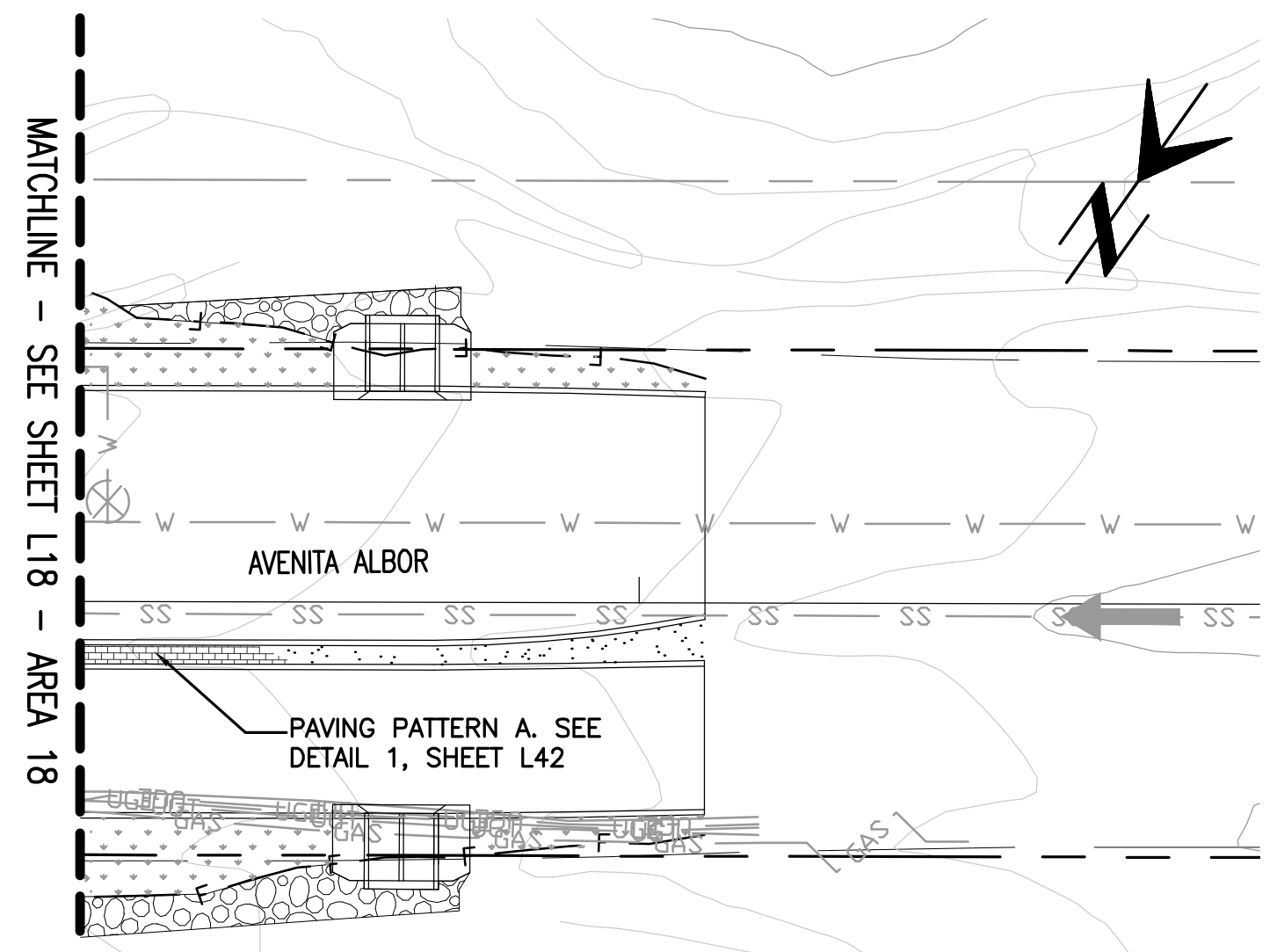


LANDSCAPE LEGEND	
	SIGHT VISIBILITY TRIANGLE
INORGANIC SURFACING	
	DECOMPOSED GRANITE SURFACING
	CONCRETE MEDIAN PAVING
	ROCK MULCH TYPE A
	SLOPE TREATMENT ROCK MULCH TYPE B
	FLEXIMAT SURFACING TO BE HYDROSEEDED WITH LOW-GROW SEED MIX
HYDROSEED MIX	
	AREA TO BE HYDROSEEDED
	AREA TO BE HYDROSEEDED WITH APPROVED LOW-GROW MIX
PROTECTION OF NATIVE VEGETATION - PRESERVATION FENCING TO BE INSTALLED DURING DEMOLITION PHASE AND IS SHOWN ON DEMOLITION PLANS FOR BIDDING AND CONSTRUCTION. PRESERVATION OF NATIVE VEGETATION IS SHOWN ON LANDSCAPE PLANS FOR REFERENCE ONLY.	

SEE SHEET LS40 TO LS43 FOR LANDSCAPE SCHEDULE AND DETAILS



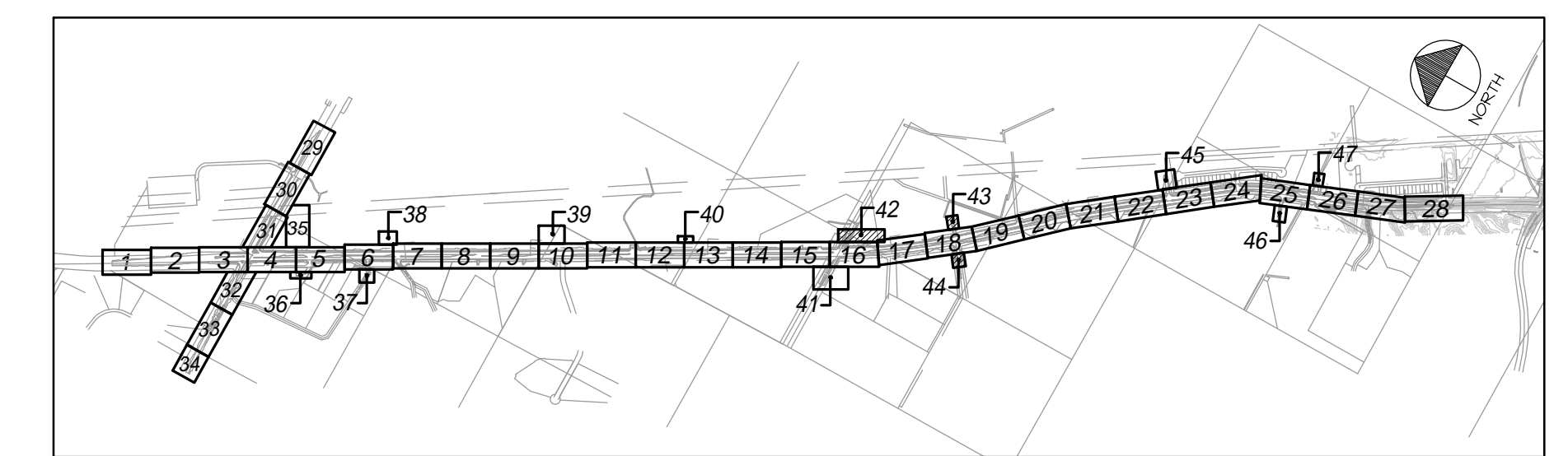
LANDSCAPE PLAN - AREA 43
SCALE: 1" = 20'-0"



LANDSCAPE PLAN - AREA 44 - AVENITA ALBOR
SCALE: 1" = 20'-0"

PLANT LEGEND		TREES		LARGE SHRUBS		SMALL SHRUBS		CACTI AND ACCENTS		PRESERVED IN PLACE	
	ACACIA CONSTRICTA WHITETHORN ACACIA		PARKINSONIA MICROPHYLLA FOOTHILLS PALO VERDE		LARREA TRIDENTATA CREOSOTE BUSH		AMBROSIA DELTOIDEA TRIANGLE-LEAF BURSAGE		AGAVE CHRYSANTHA GOLDEN-FLOWERED AGAVE		HESPERALOE PARVIFLORA RED YUCCA
	ACACIA GREGGII CATCLAW ACACIA		PROSOPIS VELUTINA VELVET MESQUITE		CELTIS PALLIDA DESERT HACKBERRY		ANISACANTHUS THURBERI DESERT HONESUCKLE		AGAVE PARRYI PARRY'S AGAVE		OPUNTIA BASILARIS BEAVERTAIL PRICKLY PEAR
	CHILOPSIS LINEARIS DESERT WILLOW		CONDALIA WARNOCKII CONDALIA		ASCLEPIAS SUBULATA DESERT MILKWEED		CALANDRIA ERIOPHYLLA FAIRY DUSTER		CARNEGIEA GIGANTEA SAGUARO		OPUNTIA SANTA-RITA PURPLE PRICKLY PEAR
			SIMMONDSIA CHINENSIS JOJOBA		DALEA PULCHRA BUSH DALEA		ISOCOMA TENUISECTA BURROWEED		ECHINOCEREUS ENGELMANNII HEDGEHOG CACTUS		PENIOCEREUS GREGGII NIGHT BLOOMING CEREUS
			ZIZIPHUS OBTUSIFOLIA GRAYTHORN		JUSTICIA CALIFORNICA CHUPAROSA		FOUQUIERIA SPLENDENS OCOTILLO		FEROCACTUS WISLIZENII FISHHOOK BARREL		YUCCA BACCATA BANANA YUCCA
					PENSTEMON PARRYI PARRY PENSTEMON				YUCCA ELATA SOAPTREE YUCCA		TREE TO BE PRESERVED IN PLACE
									SHRUB TO BE PRESERVED IN PLACE		CACTUS TO BE PRESERVED IN PLACE

NOTE: DASHED LINE AROUND PLANT SYMBOL INDICATES SALVAGED PLANT



AREA KEY MAP
SCALE: N.T.S.

L38 OF L43



DEPARTMENT OF TRANSPORTATION/ENGINEERING DIVISION

SILVERBELL ROAD
EL CAMINO DEL CERRO TO GORET ROAD
L38 LANDSCAPE PLAN - AREAS 42, 43, AND 44

NO.	DATE	REVISION	BY	CHKD.	APPR.

PRELIMINARY
100%
REVIEW
NOT FOR
CONSTRUCTION
OR RECORDING

Approvals	Signatory	Date	Approved
			20
			446
			TRANSPORTATION DIRECTOR
			REF. SCALE: 1" = 20'
			PLAN NO.

Two working days before you dig,
CALL FOR THE BLUE STAKES
1-800-782-5348

DATE \$
FILE \$

LANDSCAPE SCHEDULE							
SYMBOL	SIZE	BOTANICAL NAME	COMMON NAME	QTY.	SETBACKS CURB S/W	MIN. SPACING	NOTES
TREES							
	15 GAL.	ACACIA CONSTRICTA	WHITETHORN ACACIA	60	7' 7'		SEE DETAILS
	5 GAL.	ACACIA CONSTRICTA	WHITETHORN ACACIA	98	7' 7'		*
	15 GAL.	ACACIA GREGGII	CATCLAW ACACIA	64	7' 7'		*
	5 GAL.	ACACIA GREGGII	CATCLAW ACACIA	103	7' 7'		*
	15 GAL.	CHILOPSIS LINEARIS	DESERT WILLOW	85	7' 7'		*
	15 GAL.	PARKINSONIA MICROPHYLLA	FOOTHILLS PALO VERDE	107	7' 7'		*
	15 GAL.	PROSOPIS VELUTINA	VELVET MESQUITE	283	10' 7'		*
LARGE SHRUBS							
	5 GAL.	LARREA TRIDENTATA	CREOSOTE BUSH	107		8'	SEE DETAILS
	5 GAL.	CELTIS PALLIDA	DESERT HACKBERRY	122		10'	*
	5 GAL.	CONDALIA WARNOCKII	CONDALIA	15		6'	*
	5 GAL.	SIMMONDSIA CHINENSIS	JOJOBA	93		6'	*
	5 GAL.	ZIZIPHUS OBTUSIFOLIA	GRAYTHORN	80		6'	*
SMALL SHRUBS							
	1 GAL.	AMBROSIA DELTOIDEA	TRIANGLE-LEAF BURSAGE	338		3'	SEE DETAILS
	1 GAL.	ANISACANTHUS THURBERI	DESERT HONEYSUCKLE	67		4'	*
	1 GAL.	ASCLEPIAS SUBULATA	DESERT MILWEED	117		4'	*
	1 GAL.	CALLIANDRA ERIOPHYLLA	FAIRY DUSTER	441		3'	*
	1 GAL.	CASSIA (SENNA) WISLIZENII	SHRUBBY SENNA	112		4'	*
	1 GAL.	DALEA PULCHRA	BUSH DALEA	106		5'	*
	1 GAL.	ISOCOMA TUNISSECTA	BURROWEED	237		3'	*
	1 GAL.	JUSTICIA CALIFORNICA	CHUPAROSA	108		4'	*
	1 GAL.	PENSTEMON PARRYI	PARRY PENSTEMON	59		4'	*

LANDSCAPE SCHEDULE							
SYMBOL	SIZE	BOTANICAL NAME	COMMON NAME	QUANTITY	MIN. SPACING	NOTES	
CACTI AND ACCENTS							
	1 GAL.	AGAVE CHRYSANTHA	GOLDEN-FLOWERED AGAVE	58	5'	SEE DETAILS	
	5 GAL.	AGAVE PARRYI	PARRY'S AGAVE	295	3'	*	
	4' TALL	CARNEGIA GIGANTIEA	SAGUARO	10	6'	*	
	5 GAL.	ECHINOCEREUS ENGELMANNII	HEDGEHOG CACTUS	63	3'	*	
	5 GAL.	FEROCACTUS WISLIZENI	FISHHOOK BARREL	72	6'	*	
	5 GAL.	FOUQUIERIA SPLENDENS	OCOTILLO	21	10'	*	
	1 GAL.	HESPERALOE PARVIFLORA	RED YUCCA	368	3'	*	
	5 GAL.	OPUNTIA BASILARIS	BEAVERTAIL PRICKLY PEAR	336	3'	*	
	5 GAL.	OPUNTIA SANTA-RITA	PURPLE PRICKLY PEAR	106	6'	*	
	5 GAL.	YUCCA BACCATA	BANANA YUCCA	104	6'	*	
	5 GAL.	YUCCA ELATA	SOAPTREE YUCCA	15	10'	*	

LANDSCAPE SCHEDULE - SALVAGED PLANTS							
SYMBOL	SIZE	BOTANICAL NAME	COMMON NAME	QTY.	SETBACKS CURB S/W	MIN. SPACING	NOTES
SALVAGED TREES							
	VARIABLES*	ACACIA CONSTRICTA	WHITETHORN ACACIA	3	7' 7'		SEE DETAILS
	VARIABLES*	ACACIA GREGGII	CATCLAW ACACIA	7	7' 7'		*
	VARIABLES*	PARKINSONIA FLORIDA	BLUE PALO VERDE	9	10' 7'		*
	VARIABLES*	PARKINSONIA MICROPHYLLA	FOOTHILLS PALO VERDE	2	7' 7'		*
	VARIABLES*	PROSOPIS VELUTINA	VELVET MESQUITE	29	10' 7'		*
SALVAGED SHRUBS							
	VARIABLES*	ACACIA CONSTRICTA	WHITETHORN ACACIA	6		12'	SEE DETAILS
	VARIABLES*	ACACIA GREGGII	CATCLAW ACACIA	5		12'	*
	VARIABLES*	ZIZIPHUS OBTUSIFOLIA	GRAYTHORN	8		6'	*
SALVAGED CACTI							
	VARIABLES*	CARNEGIA GIGANTIEA	SAGUARO	18		6'	*
	VARIABLES*	FEROCACTUS WISLIZENI	FISHHOOK BARREL	42		6'	*
	VARIABLES*	FOUQUIERIA SPLENDENS	OCOTILLO	4		10'	*
	VARIABLES*	PENIOCEREUS GREGGII	NIGHT BLOOMING CEREUS	6		N/A	*

* SEE NATIVE PLANT PRESERVATION PLANS FOR SIZE AND LOCATION OF SALVAGED PLANTS.

XERORIPARIAN SEED-MIX SCHEDULE			
	AREA TO BE HYDROSEEDED XERORIPARIAN NOTE: ALL AREAS DISTURBED BY PROJECT CONSTRUCTION SHALL BE SEEDDED.		
BOTANICAL NAME	COMMON NAME	POUNDS OF SEED (25 LB PLS/ACRE)	
TREES - 4.0 PLS/ACRE MINIMUM - NO SUBSTITUTIONS			
ACACIA CONSTRICTA	WHITETHORN ACACIA	0.5	
ACACIA GREGGII	CATCLAW ACACIA	1.0	
PARKINSONIA FLORIDA	BLUE PALO VERDE	1.5	
PROSOPIS VELUTINA	VELVET MESQUITE	1.0	
SHRUBS - 8.0 PLS/ACRE MINIMUM - NO SUBSTITUTIONS			
ANISACANTHUS THURBERI	DESERT HONEYSUCKLE	1.0	
CELTIS PALLIDA	DESERT HACKBERRY	1.0	
LYCIUM ANDERSONII	ANDERSON WOLFBERY	1.0	
EPHEDRA VIRIDIS	GREEN MORMAN TEA	1.0	
ATRIPLEX POLYCARPA	DESERT SALTBUSH		ADD AT LEAST 4 MORE SPECIES FROM THIS LIST FOR A MINIMUM 4 PLS/ACRE
ATRIPLEX LENTIFORMIS	QUAILBUSH		
CALLIANDRA ERIOPHYLLA	DESERT FAIRY DUSTER		
ENCELIA FARINOSA	BRITTLEBUSH		
HAPLOPAPPUS LARICIFOLIA	TURPENTINE BUSH		
HYMENOCLEA MONOGYRA	COMMON BURROBRUSH		TOTAL MINIMUM
OUTIERREZIA SEROTINA	SMOKEWEEED		LBS PLS/ACRE FOR FORBS AND SUBSHRUBS EQUALS 8 LBS.
LARREA TRIDENTATA	GREASEWOOD		
SPHAERALCEA SPP. (S. AMBIGUA S. LAXA AND/OR S. EMORYI)			
FORBS AND SUBSHRUBS - 8.0 PLS/ACRE MINIMUM - NO SUBSTITUTIONS			
BAILEYA MULTIRADIATA	DESERT MARIGOLD	1.0	
CUCURBITA DIGITATA	COYOTE GOURD	0.5	
DATURA WRIGHTII	SACRED DATURA	0.5	
SALVIA COLUMBARIAE	CHIA	1.0	
ESCHSCHOLTZIA CALIFORNICA	CALIFORNIA POPPY		ADD AT LEAST 5 MORE SPECIES FROM THIS LIST FOR A MINIMUM 5 PLS/ACRE
ERIGONUM FASCICULATUM	SHRUBBY BUCKWHEAT		
GLANDULARIA GOODINGII	GOODDINGS VERBENA		
KALSTROEMIA GRANDIFLORA	ARIZONA POPPY		
LUPINUS PARSIFLORUS	COULTER'S LUPINE		TOTAL MINIMUM
PENSTEMON PARRYI	PARRY'S PENSTEMON		LBS PLS/ACRE FOR FORBS AND SUBSHRUBS EQUALS 8 LBS.
PHACELIA DISTANS	PHACELIA		
ZINNIA ACEROSA	DESERT ZINNIA		
GRASSES - 5.0 PLS/ACRE MINIMUM - NO SUBSTITUTIONS			
ARISTIDA PURPUREA	PURPLE THREEAWN		AT LEAST 5 SPECIES FROM THIS CATEGORY FOR A MINIMUM 5 PLS/ACRE
ARISTIDA TERNIPES	SPIDERGRASS		
BOUTELOUA ARISTIDOIDES	NEEDLE GRAMA		
BOUTELOUA CURTIPENDULA	SIDEOATS GRAMA		
BOUTELOUA ROTHROCKII	ROTHROCK GRAMA		
HILARIA BELANGERI	CURLY MESQUITE		
MUHLENBERGIA PORTERI	BUSH MUHLY		
VULPIA OCTOFLORA	SIXWEEKS FESCUE		

LOW GROW/UPLAND SEED-MIX SCHEDULE			
	DESERT HYDROSEED MIX - LOW GROW MIX NOTE: ALL AREAS DISTURBED BY PROJECT CONSTRUCTION SHALL BE SEEDDED.		
BOTANICAL NAME	COMMON NAME	PLS/ACRE	
FORBS AND SUBSHRUBS - NO SUBSTITUTIONS			
BAILEYA MULTIRADIATA	DESERT MARIGOLD	1.5	
CASSIA COVESII	DESERT SENNA	2.0	
DYSSODIA ACEROSA	SCRUBBY DOGWHEAT	1.0	
ERIGONUM FASCICULATUM	FLATTOP BUCKWHEAT	1.5	
ENCELIA FARINOSA	BRITTLEBUSH	2.0	
ESCHSCHOLTZIA CALIFORNICA	CALIFORNIA POPPY	2.0	
ESCHSCHOLTZIA MEXICANA	MEXICAN POPPY	2.0	
LUPINUS SPARSIFLORUS	DESERT LUPINE	2.0	
LINUM LEWISII	BLUE FLAX	1.5	
PHACELIA CAMPANULARIA	BLUEBELLS	2.0	
SPHAERALCEA SPP. (S. AMBIGUA S. LAXA AND/OR S. EMORYI)		2.0	
GRASSES - NO SUBSTITUTIONS			
ARISTIDA PURPUREA	PURPLE THREEAWN	3.0	
BOUTELOUA CURTIPENDULA "VAUGHN"	SIDEOATS GRAMA	3.0	
BOUTELOUA GRACILIS	BLUE GRAMA	2.0	
BOUTELOUA ARISTIDOIDES	NEEDLE GRAMA		AT LEAST 4 ADDITIONAL SPECIES FROM THIS CATEGORY FOR A MINIMUM 6 PLS/ACRE
BOUTELOUA BARBATA	SIXWEEKS GRAMA		
BOUTELOUA ROTHROCKII	ROTHROCK GRAMA		
DIGITARIA CALIFORNICA	ARIZONA COTTONTOP		
ERIONEURON PULCHELLUM	FLUFFGRASS		
HILARIA BELANGERI	CURLY-MESQUITE		

SURFACING SCHEDULE	
INORGANIC SURFACING	
	DECOMPOSED GRANITE SURFACING SIZE: 1-1/4" MINUS, COLOR: APACHE BROWN
	CONCRETE MEDIAN PAVING SEE DETAILS, SHEET L42
	ROCK MULCH SIZE: 4"-8" RIP RAP COLOR: APACHE BROWN
	SLOPE TREATMENT ROCK MULCH SIZE: 4" COLOR: APACHE BROWN
	FLEXIMAT SURFACING TO BE HYDROSEEDED WITH LOW-GROW SEED MIX
HYDROSEED MIX	
	AREA TO BE HYDROSEEDED
	AREA TO BE HYDROSEEDED WITH APPROVED LOW-GROW MIX
PROTECTION OF NATIVE VEGETATION - PRESERVATION FENCING TO BE INSTALLED DURING DEMOLITION PHASE AND IS SHOWN ON DEMOLITION PLANS FOR BIDDING AND CONSTRUCTION. PRESERVATION OF NATIVE VEGETATION IS SHOWN ON LANDSCAPE PLANS FOR REFERENCE ONLY.	
SEE SHEET LS41 TO LS43 FOR LANDSCAPE DETAILS	

L40 OF L43

DEPARTMENT OF TRANSPORTATION/ENGINEERING DIVISION

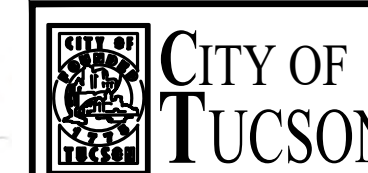
SILVERBELL ROAD
EL CAMINO DEL CERRO TO GORET ROAD
L40 LANDSCAPE SCHEDULE AND DETAILS

PRELIMINARY 100% REVIEW NOT FOR CONSTRUCTION OR RECORDING	Approvals	Signatory	Date	Approved _____ 20__	240 OF 446
				TRANSPORTATION DIRECTOR	
				REF. _____ SCALE: 1" = 20'	
				PLAN NO. _____	
NO.	DATE	REVISION	BY	CHKD.	APPR.

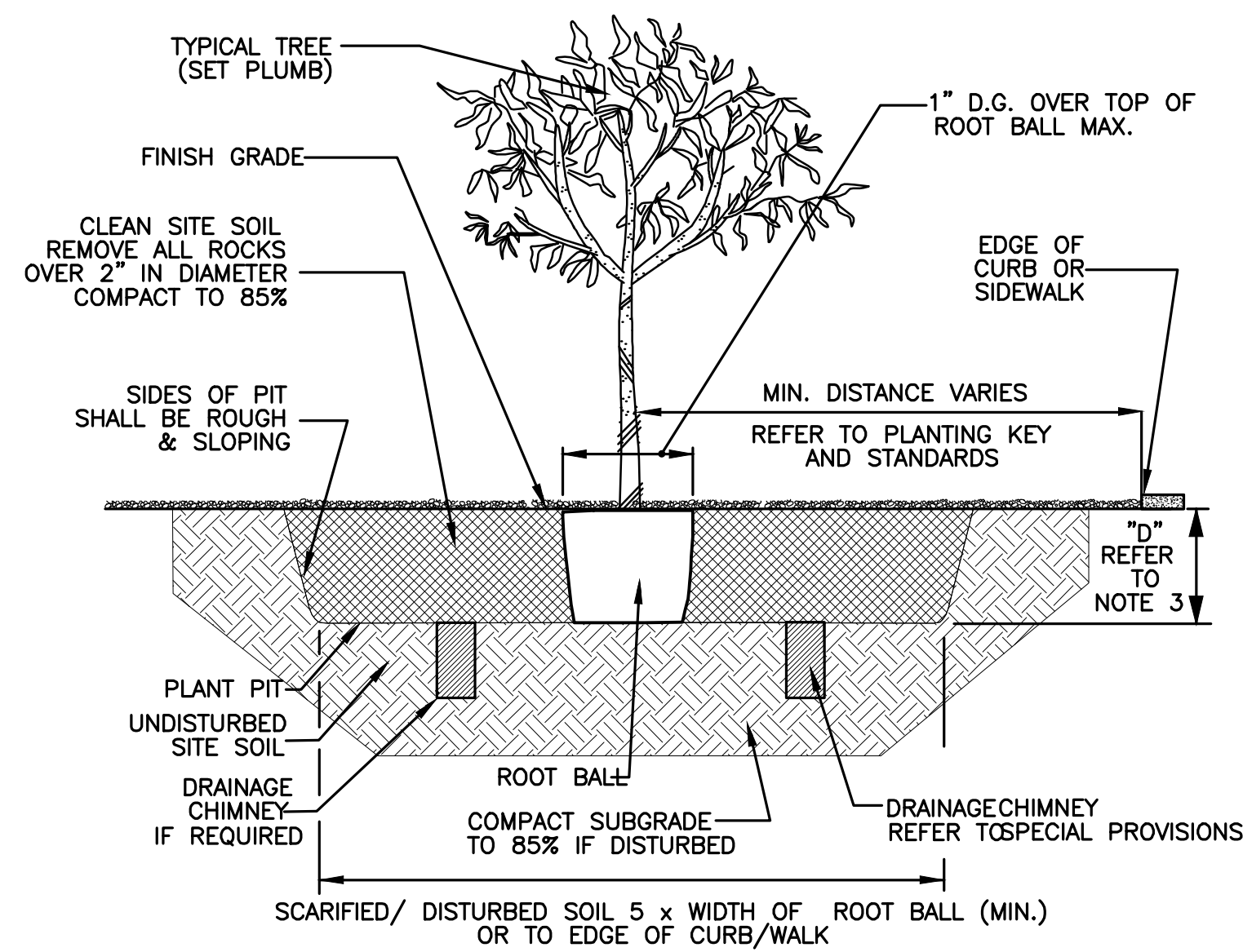
Two working days before you dig,
CALL FOR THE BLUE STAKES
1-800-782-5348

DATE\$
FILE\$

McGann & Associates
Landscape Architects and Planners
8814 North Oracle Road, Suite 210, Tucson AZ 85718

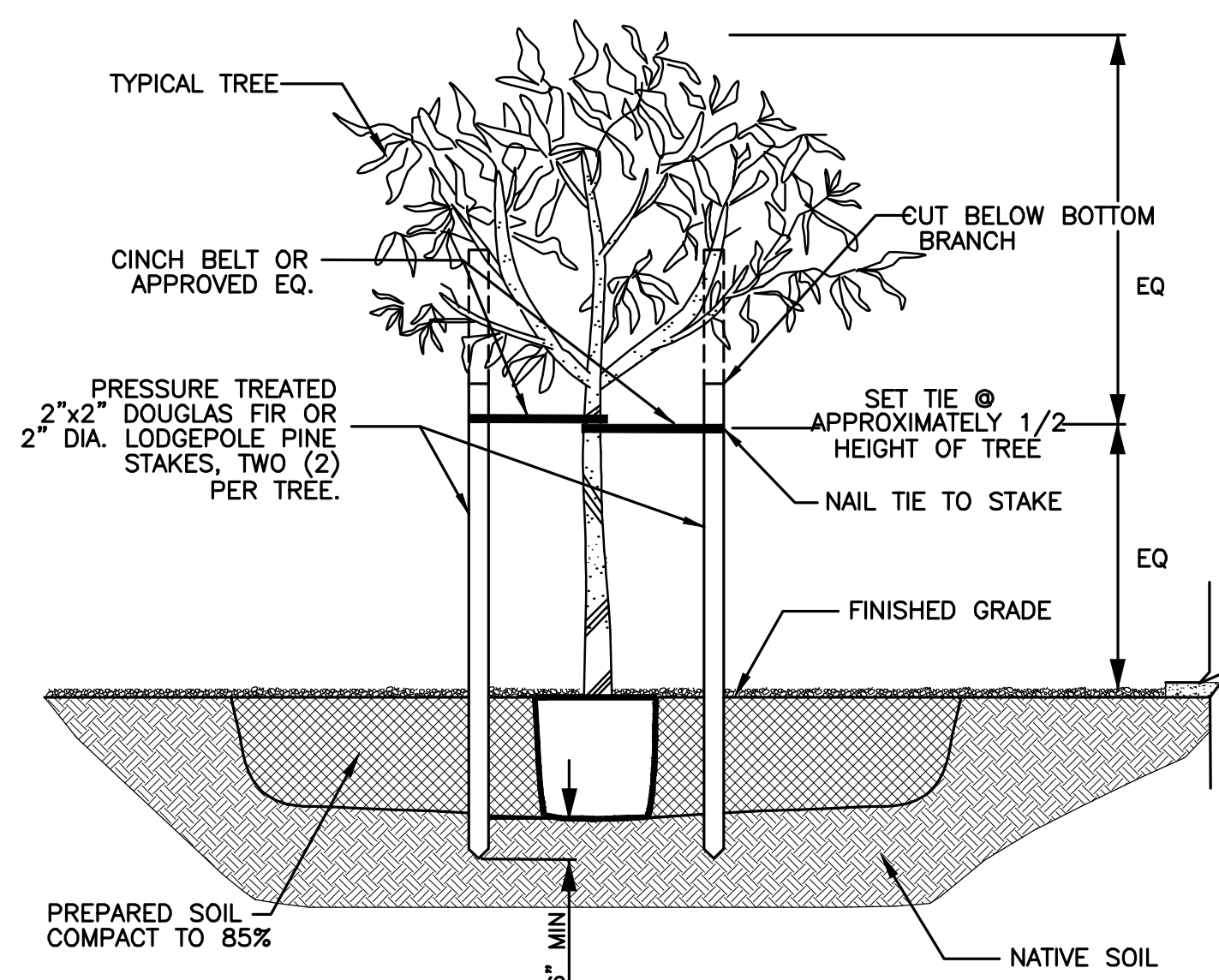


APPROVED	DATE	APPROVED	DATE



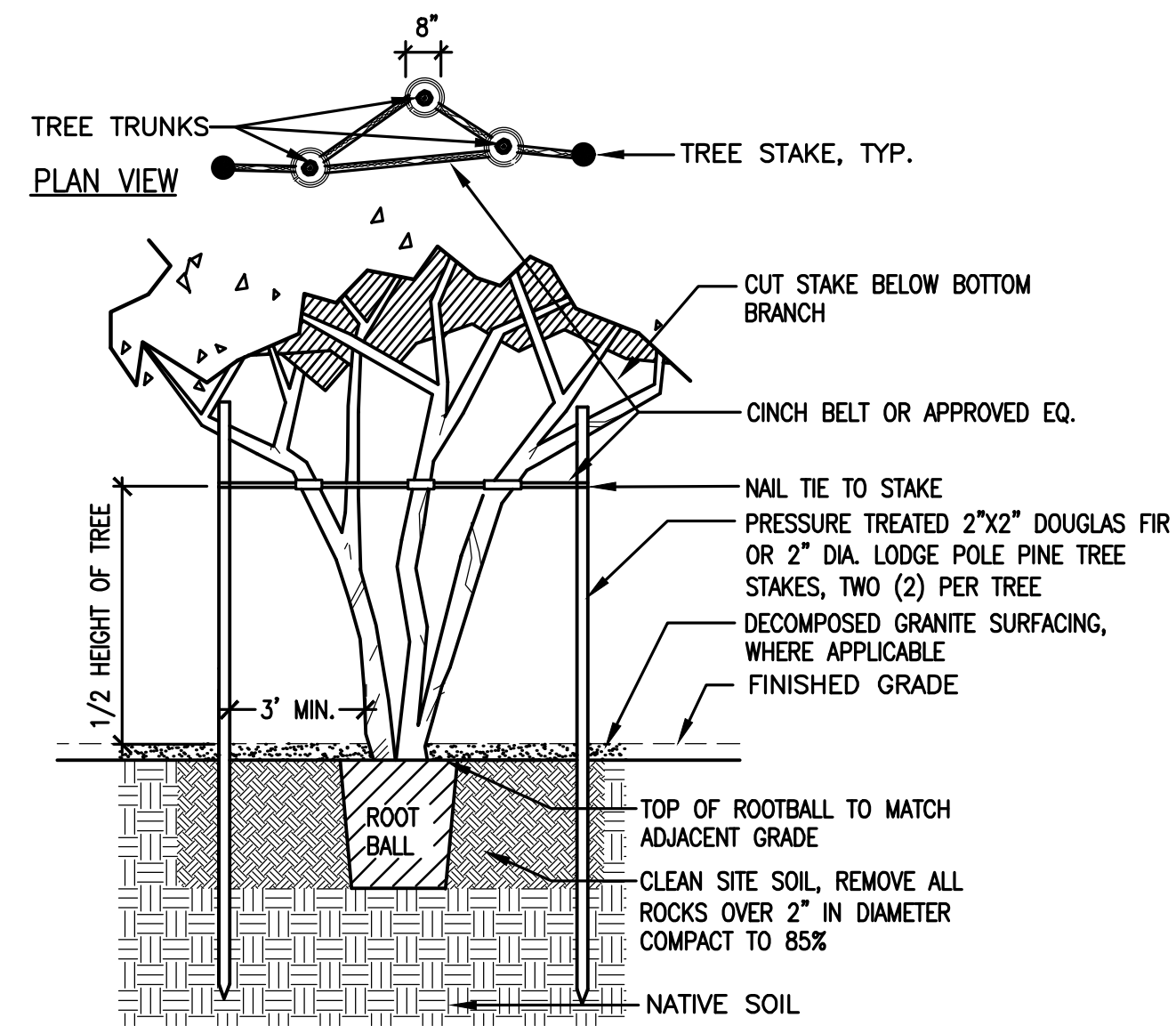
- NOTES:
1. NO PLANTS SHALL BE PRUNED EXCEPT @ THE DIRECTION OF THE COT REPRESENTATIVE
 2. STAKE TREE ONLY IF NEEDED, PER DIRECTION OF COT REPRESENTATIVE (SEE TREE STAKING DETAIL).
 3. DEPTH ("D") OF PLANT PIT TO BE EQUAL TO DEPTH OF ROOT BALL.
 4. ROOT PRUNE PRIOR TO PLANTING.

1 TREE PLANTING DETAIL
NTS



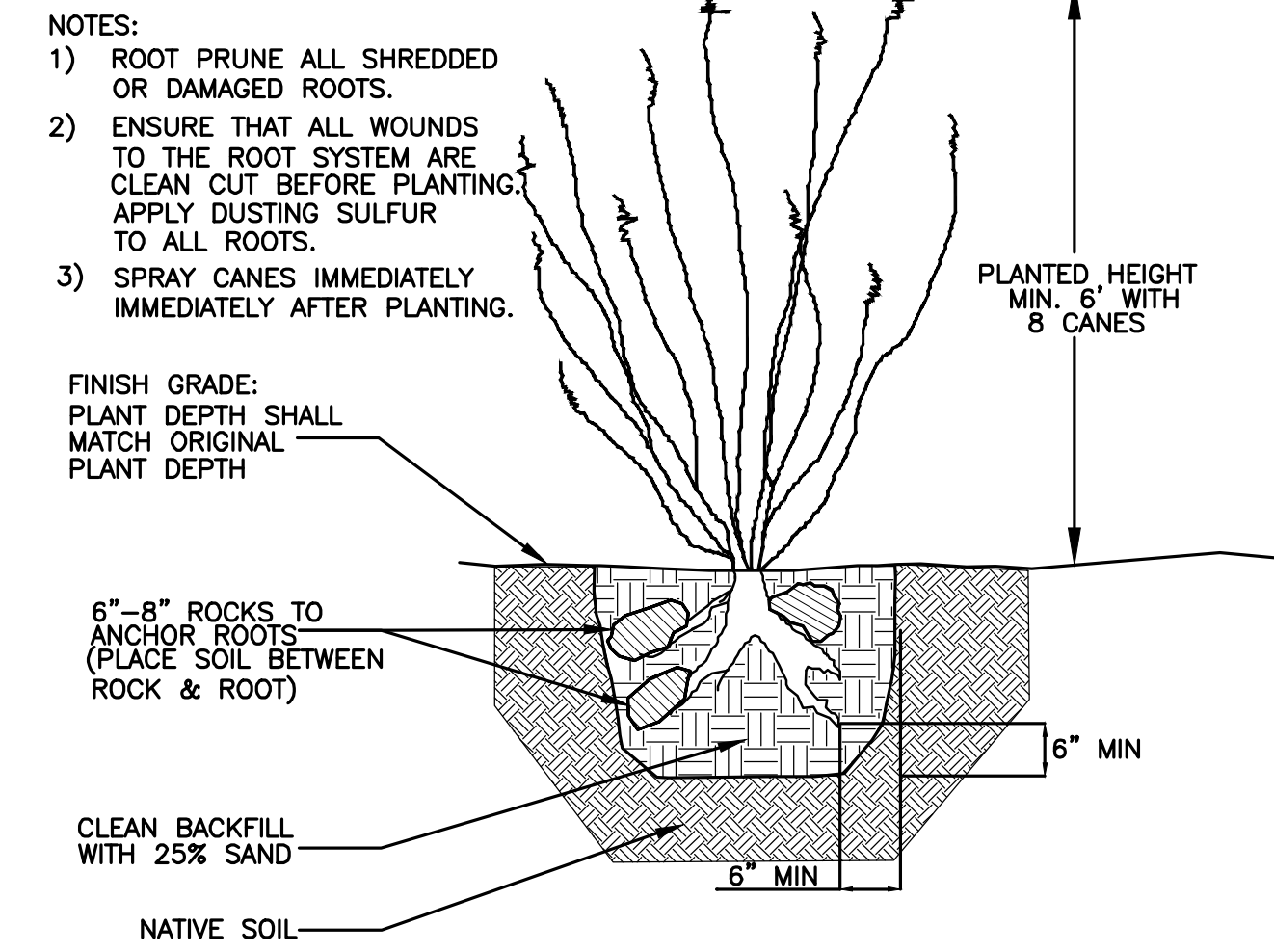
- NOTES:
1. NO PLANTS SHALL BE PRUNED EXCEPT @ THE DIRECTION OF THE COT REPRESENTATIVE
 2. STAKE TREE ONLY IF NEEDED, PER DIRECTION OF COT REPRESENTATIVE
 3. SET STAKES PARALLEL TO SIDEWALK AND STREET

2 TREE STAKING DETAIL
N.T.S.

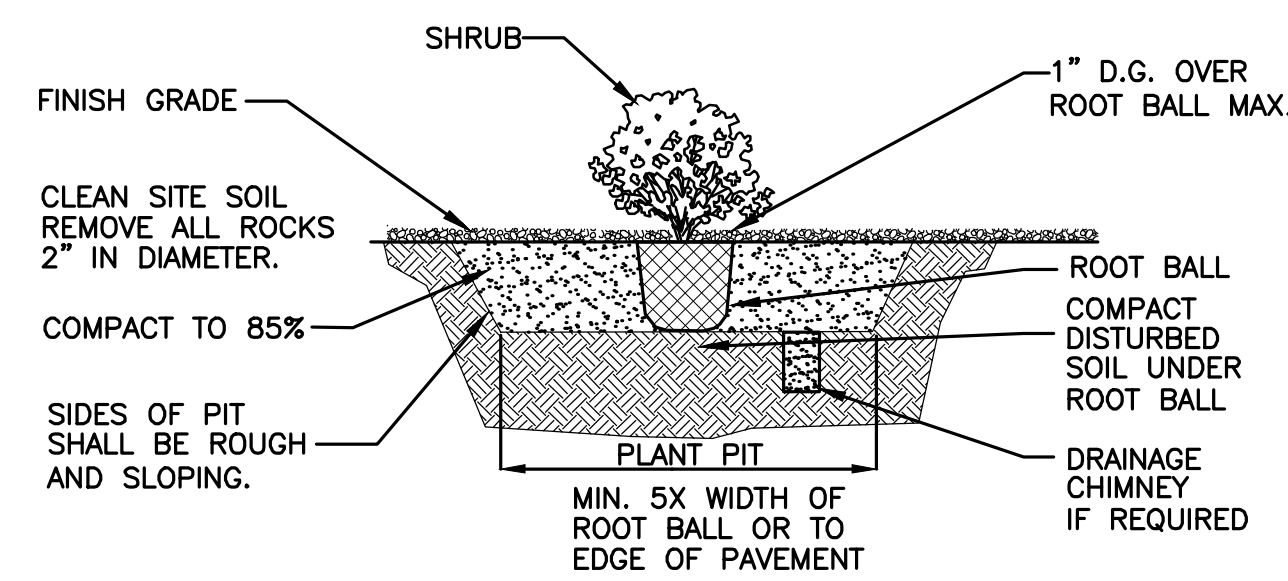


- NOTES:
1. NO PLANTS SHALL BE PRUNED EXCEPT @ THE DIRECTION OF THE COT REPRESENTATIVE
 2. STAKE TREE ONLY IF NEEDED, PER DIRECTION OF COT REPRESENTATIVE
 3. SET STAKES PARALLEL TO SIDEWALK AND STREET

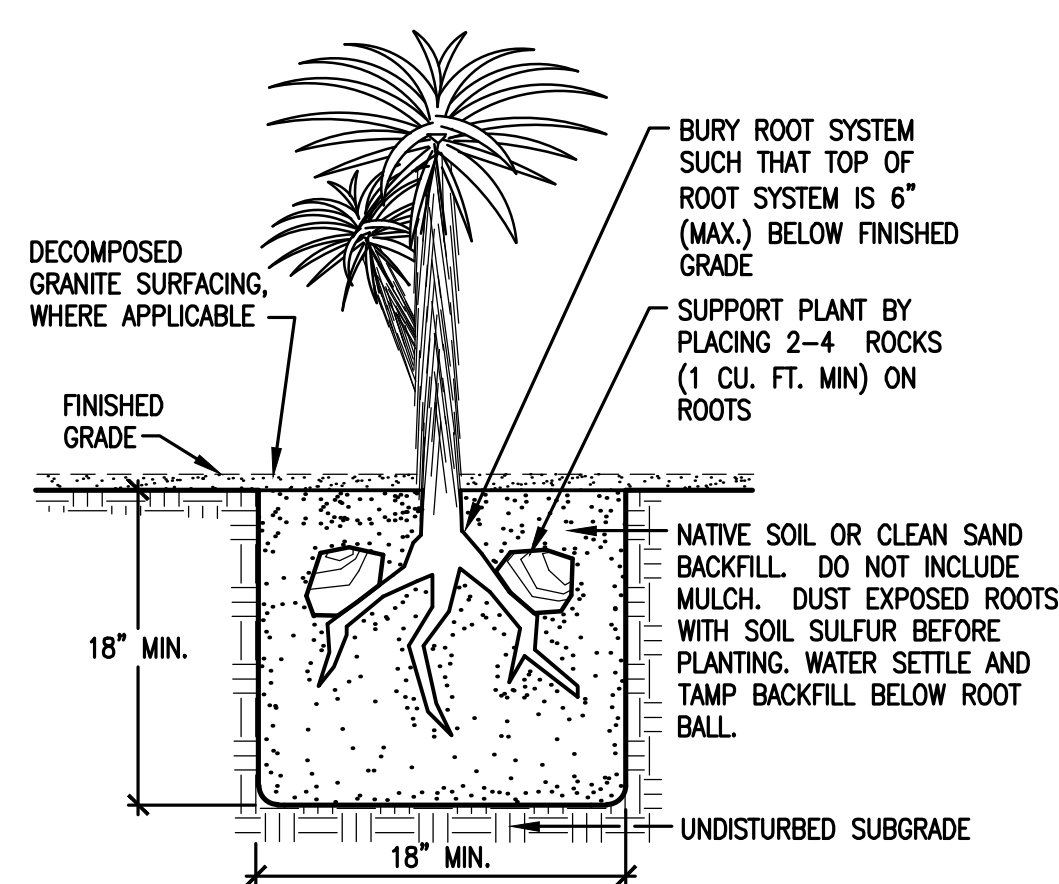
3 TREE STAKING - MULTI-TRUNK
SCALE: N.T.S.



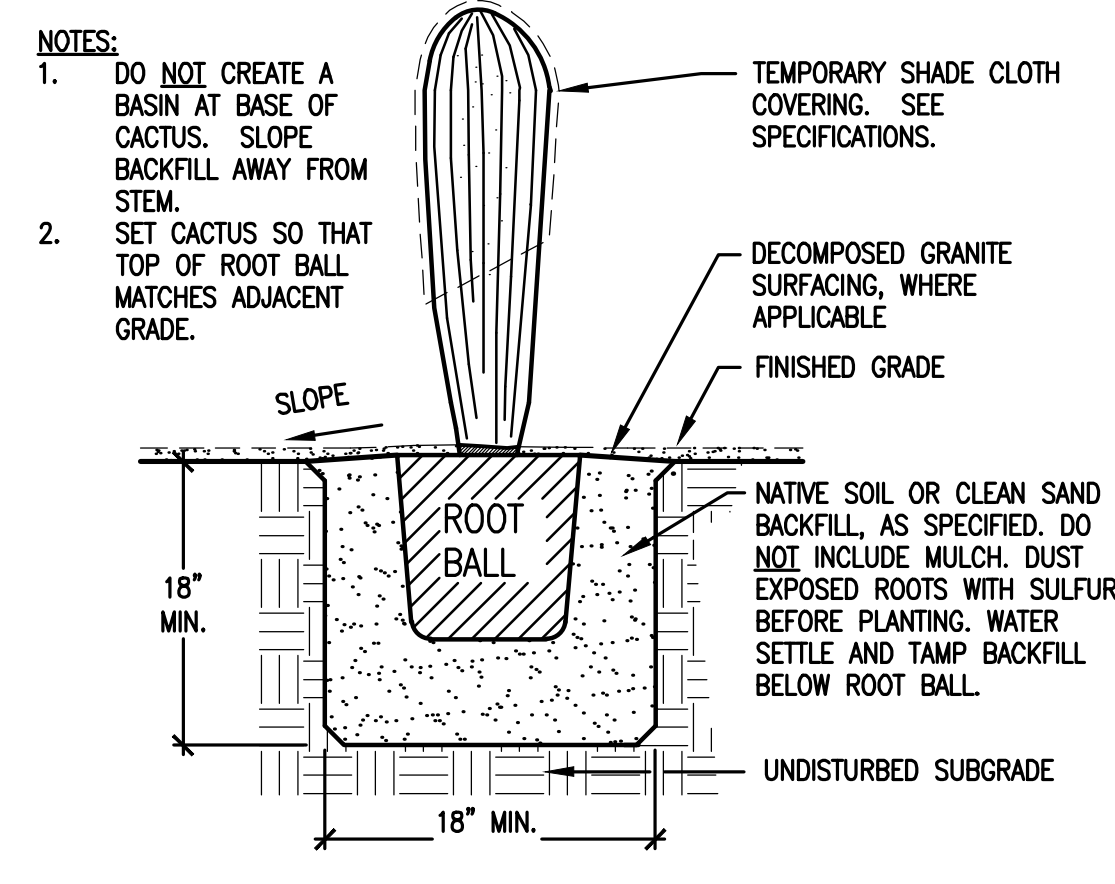
4 SALVAGED OCOTILLO
NTS



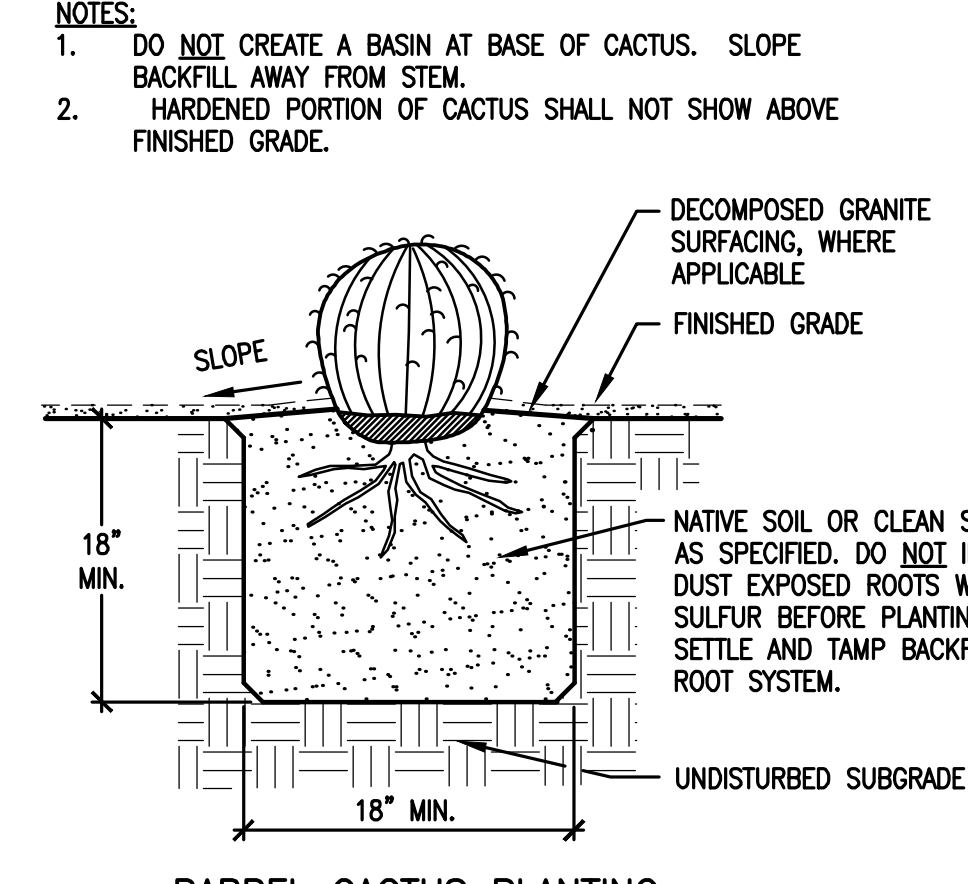
5 SHRUB PLANTING: 1 & 5 GALLON PLANTS
NTS



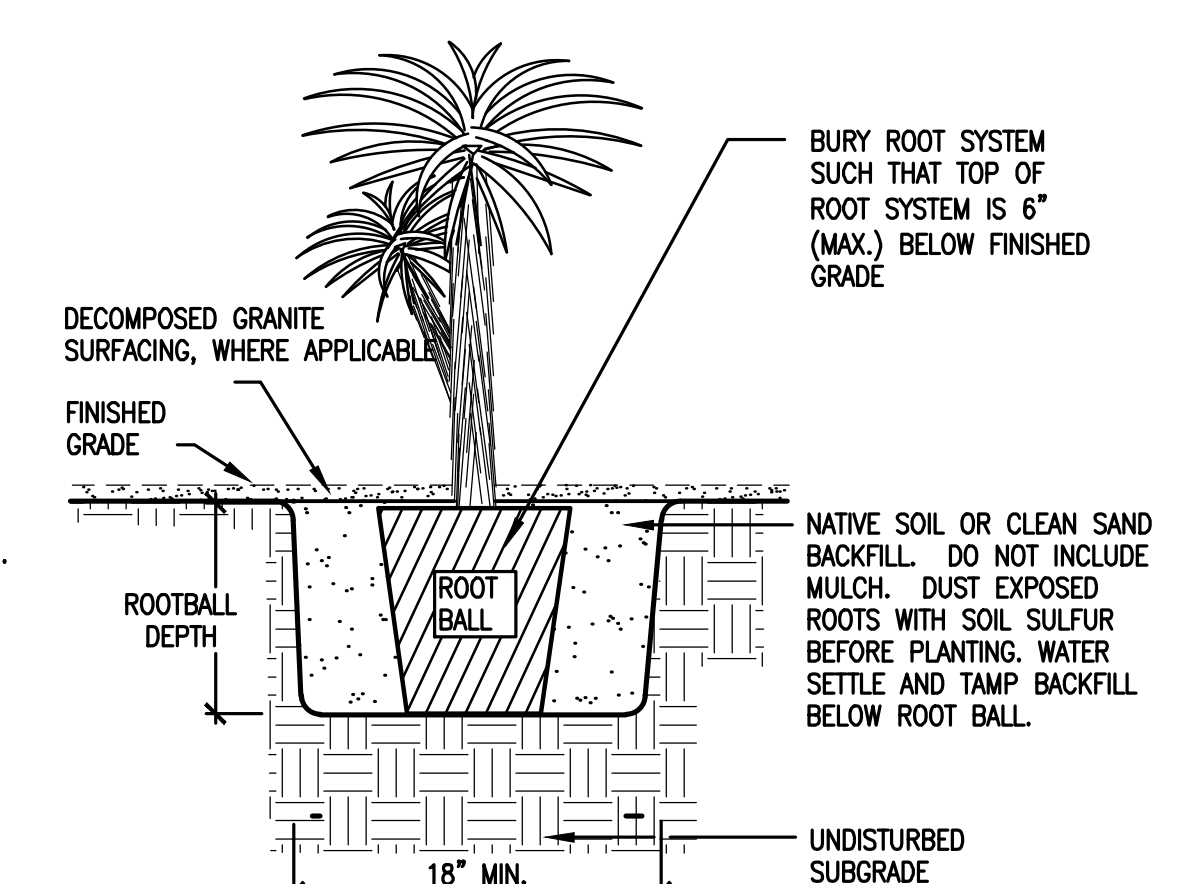
6 YUCCA PLANTING (SALVAGED SPECIMEN)
SCALE: N.T.S. PL-2.44



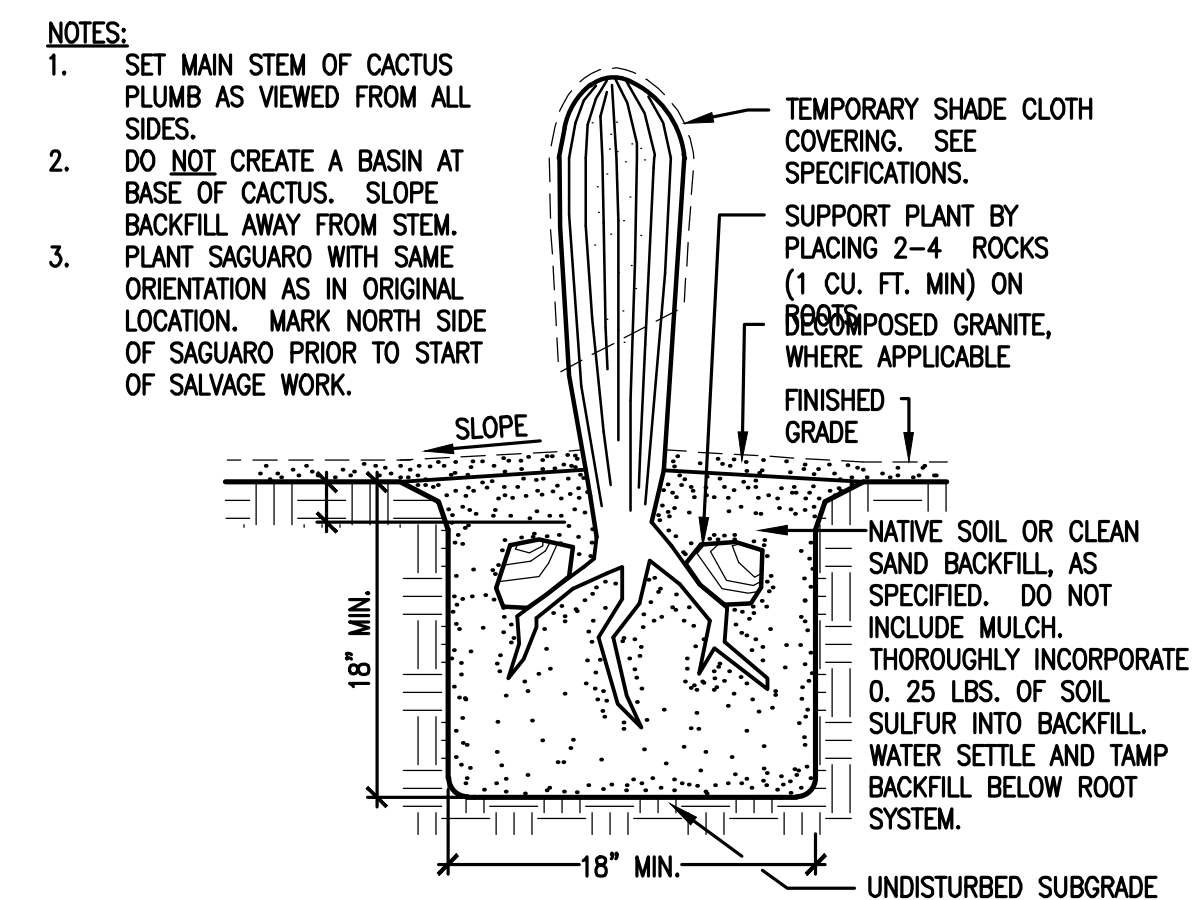
7 SAGUARO PLANTING (CONTAINER GROWN 8' OR LESS)
SCALE: N.T.S. PL-3.24



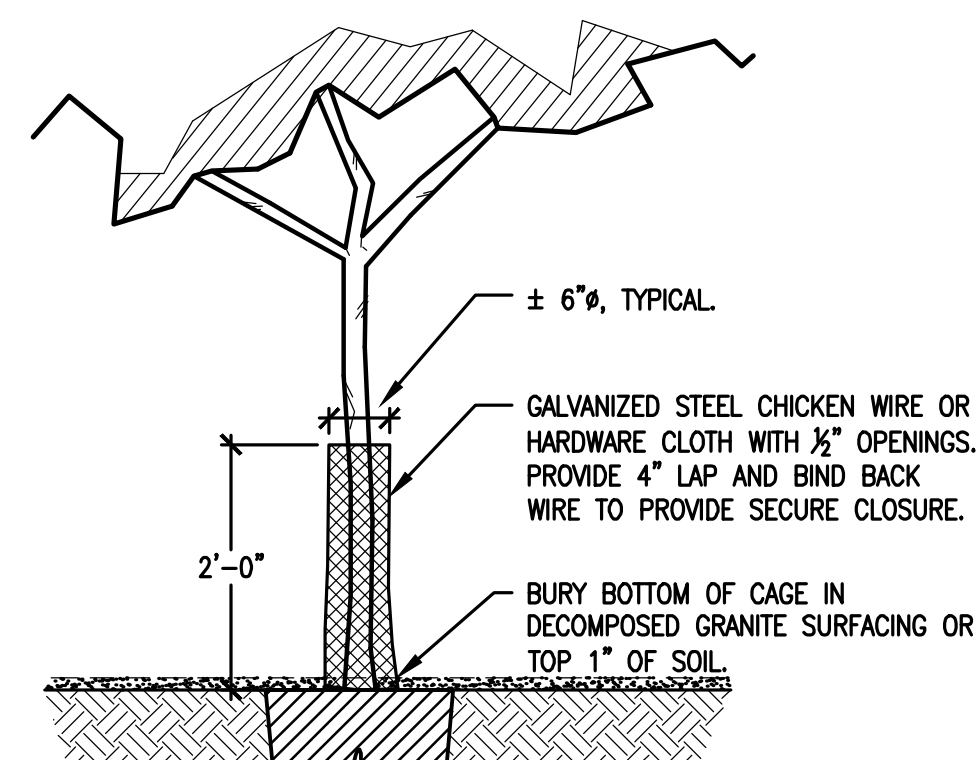
8 BARREL CACTUS PLANTING (SALVAGED SPECIMEN)
SCALE: N.T.S. PL-2.40



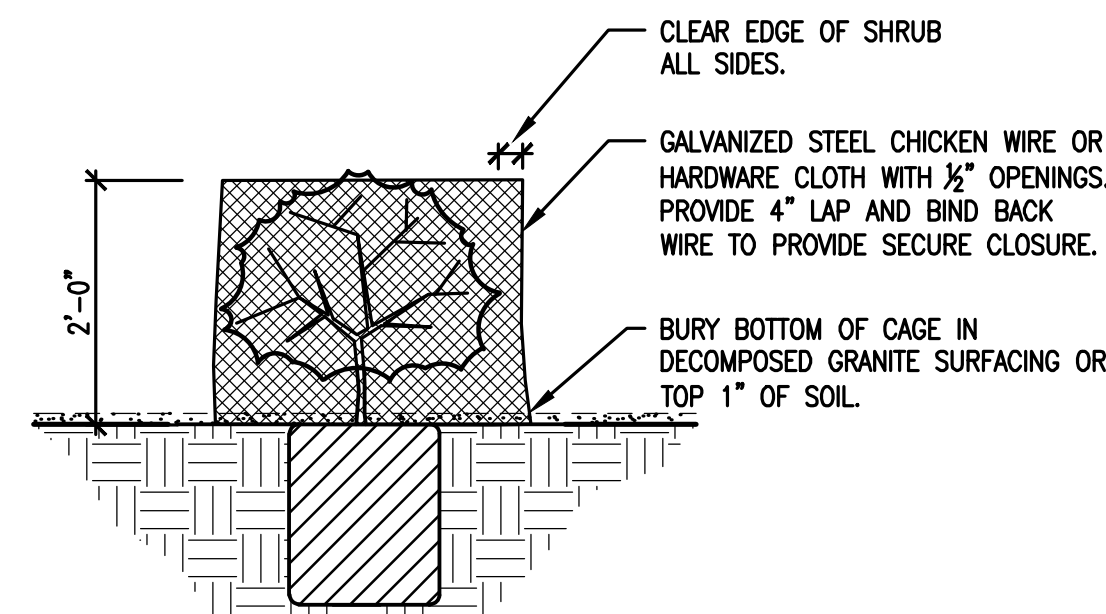
9 YUCCA PLANTING (CONTAINER GROWN)
SCALE: N.T.S. PL-3.23



10 SAGUARO PLANTING (SALVAGED SPECIMEN 8' OR LESS)
SCALE: N.T.S. PL-2.20



11 RODENT PROTECTION CAGE FOR TREES
SCALE: N.T.S. PL-5.1

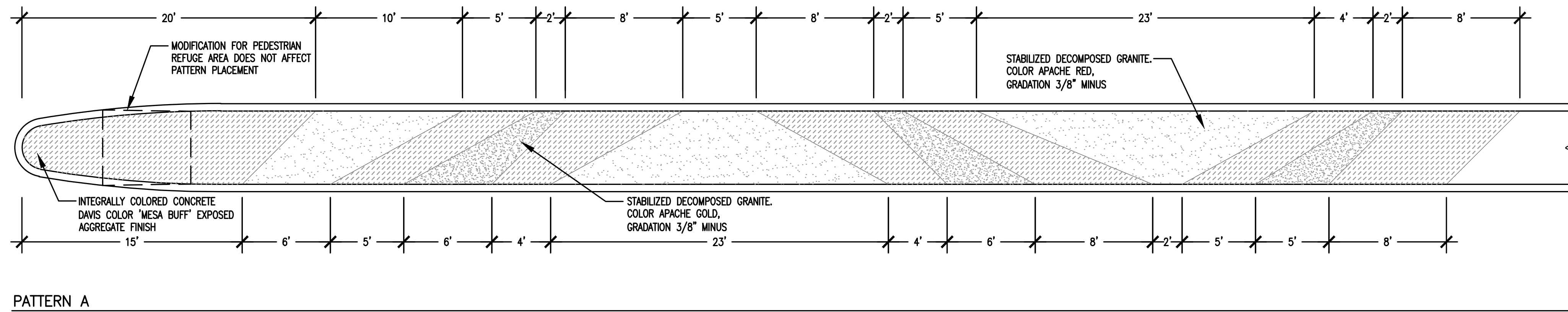


12 RODENT PROTECTION CAGE FOR SHRUBS
SCALE: N.T.S.

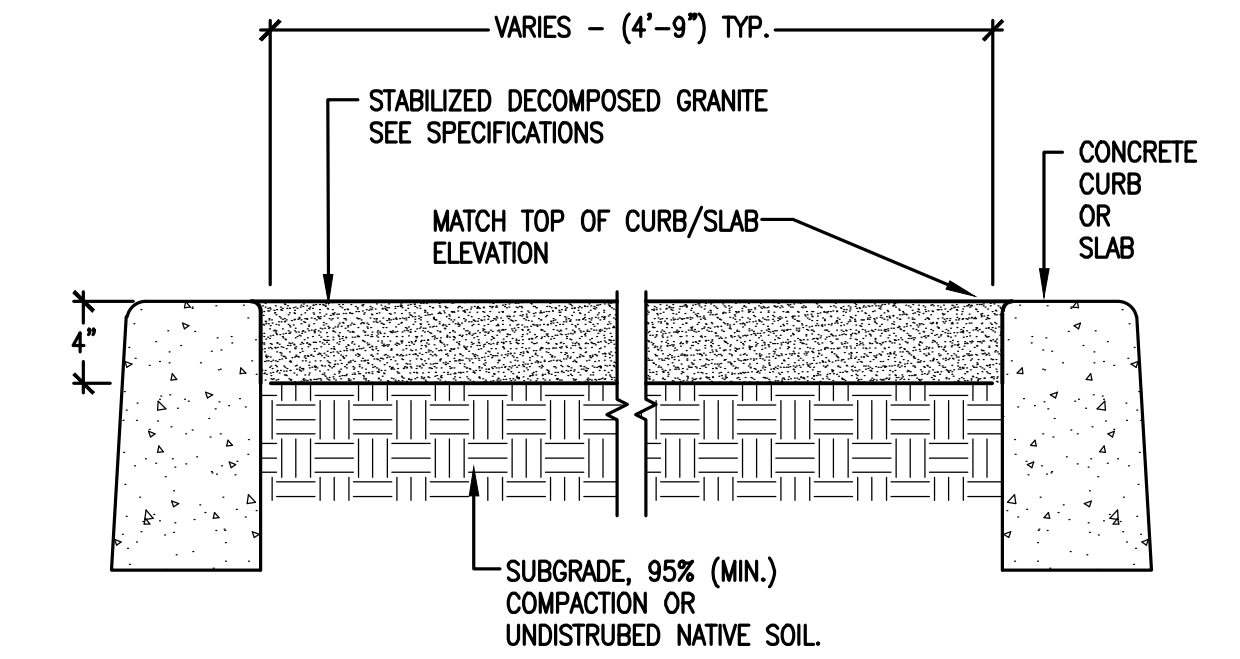
NO.	DATE	REVISION	BY	CHKD.	APPR.

PRELIMINARY
100%
REVIEW
NOT FOR
CONSTRUCTION
OR RECORDING

DEPARTMENT OF TRANSPORTATION/ENGINEERING DIVISION			
SILVERBELL ROAD EL CAMINO DEL CERRO TO GORET ROAD L41 LANDSCAPE DETAILS			
Approvals	Signatory	Date	
			Approved _____ 20__
			241 OF 446
TRANSPORTATION DIRECTOR			
REF. _____			SCALE: 1" = 20'
PLAN NO. _____			

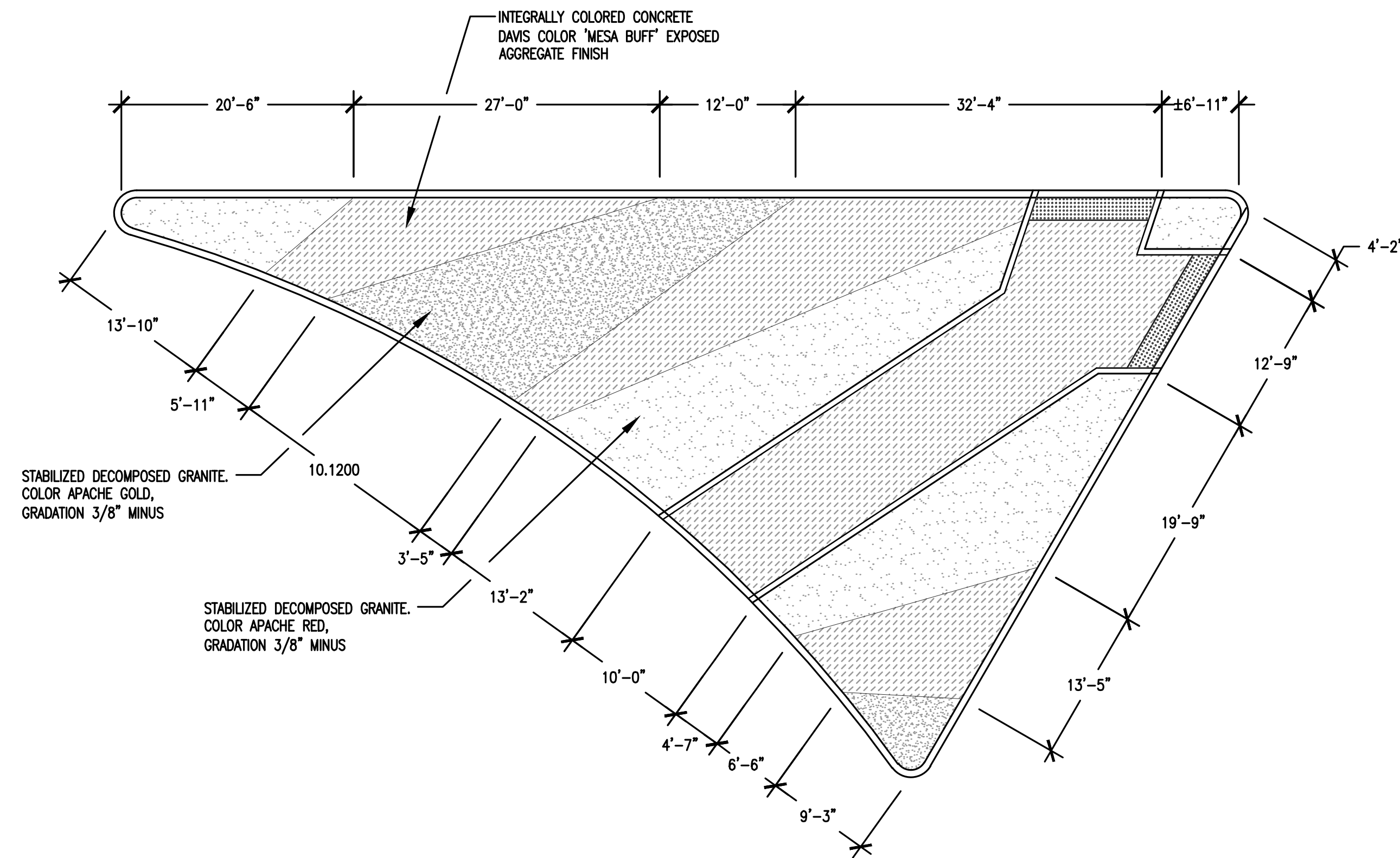


PATTERN A

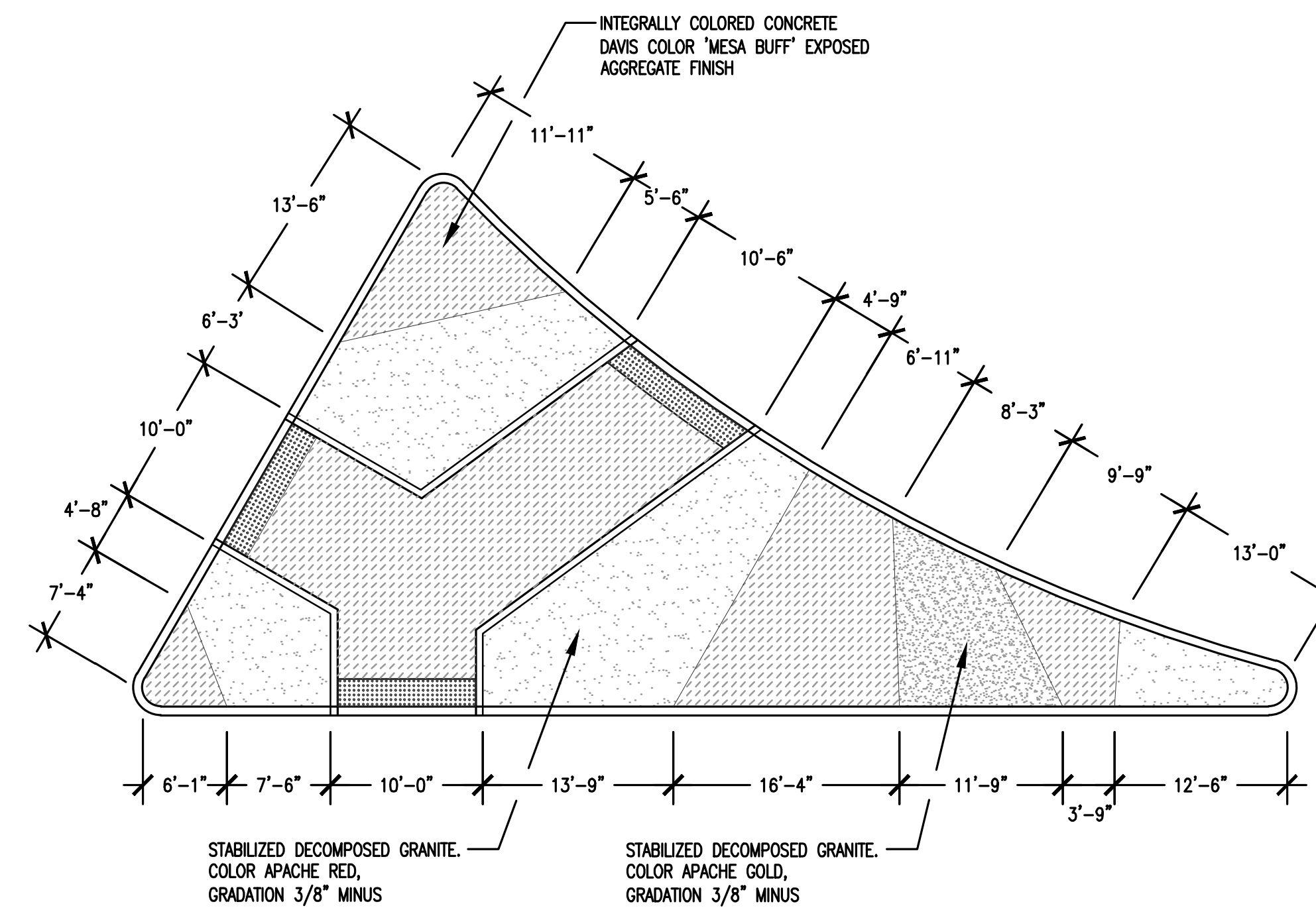


2 STABILIZED DECOMPOSED GRANITE MEDIAN PAVING
SCALE: N.T.S.

1 MEDIAN PATTERN DETAIL
SCALE: N.T.S.



2 RIGHT TURN MEDIAN PATTERN DETAIL - STA: 298 + 55 - 41.70' RT.



3 RIGHT TURN MEDIAN PATTERN DETAIL - STA: 300 + 69 - 41.20' LT.

MEDIAN NOSE PAVING LEGEND	
	STABILIZED DECOMPOSED GRANITE, COLOR APACHE RED, GRADATION 3/8\"/>
	STABILIZED DECOMPOSED GRANITE, COLOR APACHE GOLD, GRADATION 3/8\"/>
	INTEGRALLY COLORED CONCRETE DAVIS COLOR 'MESA BUFF' EXPOSED AGGREGATE FINISH AGGREGATE COLOR APACHE GOLD GRADATION 3/8\"/>
	INTEGRALLY COLORED CONCRETE DAVIS COLOR 'BAJA RED' EXPOSED AGGREGATE FINISH AGGREGATE COLOR APACHE RED GRADATION 3/8\"/>

NOTE: SEE SPECIFICATIONS

\$DATES \$FILES

Two working days before you dig, CALL FOR THE BLUE STAKES
1-800-782-5348

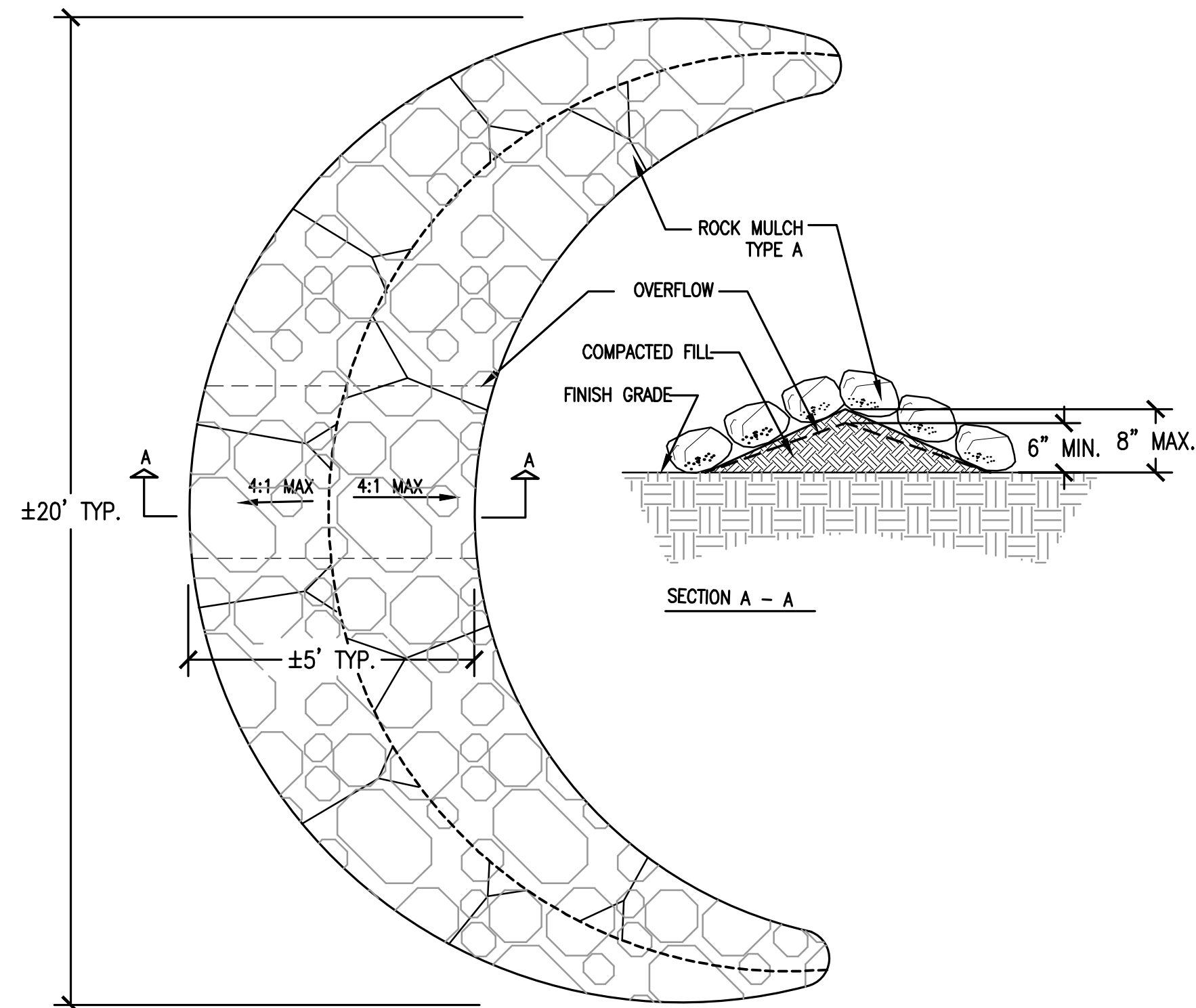
NO.	DATE	REVISION	BY	CHKD.	APPR.

McGann & Associates
Landscape Architects and Planners
1814 North Chino Road, Suite 210, Tucson AZ 85714

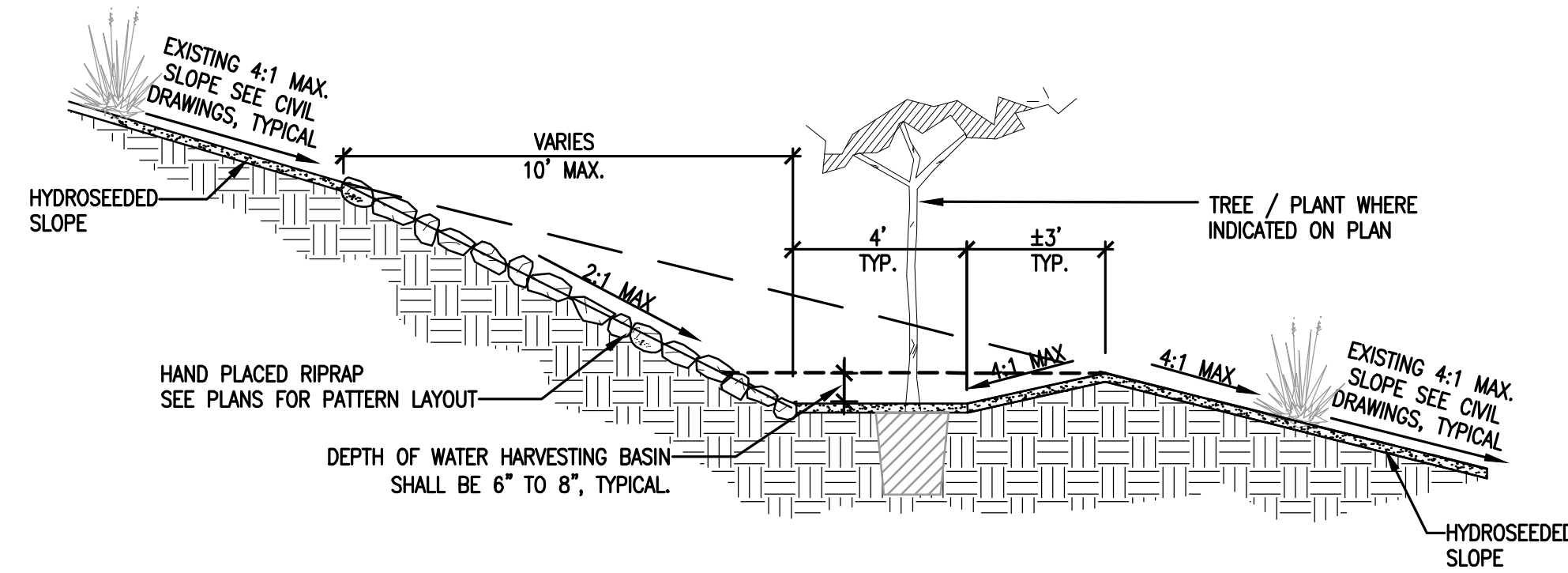
CITY OF TUCSON

PRELIMINARY
100%
REVIEW
NOT FOR
CONSTRUCTION
OR RECORDING

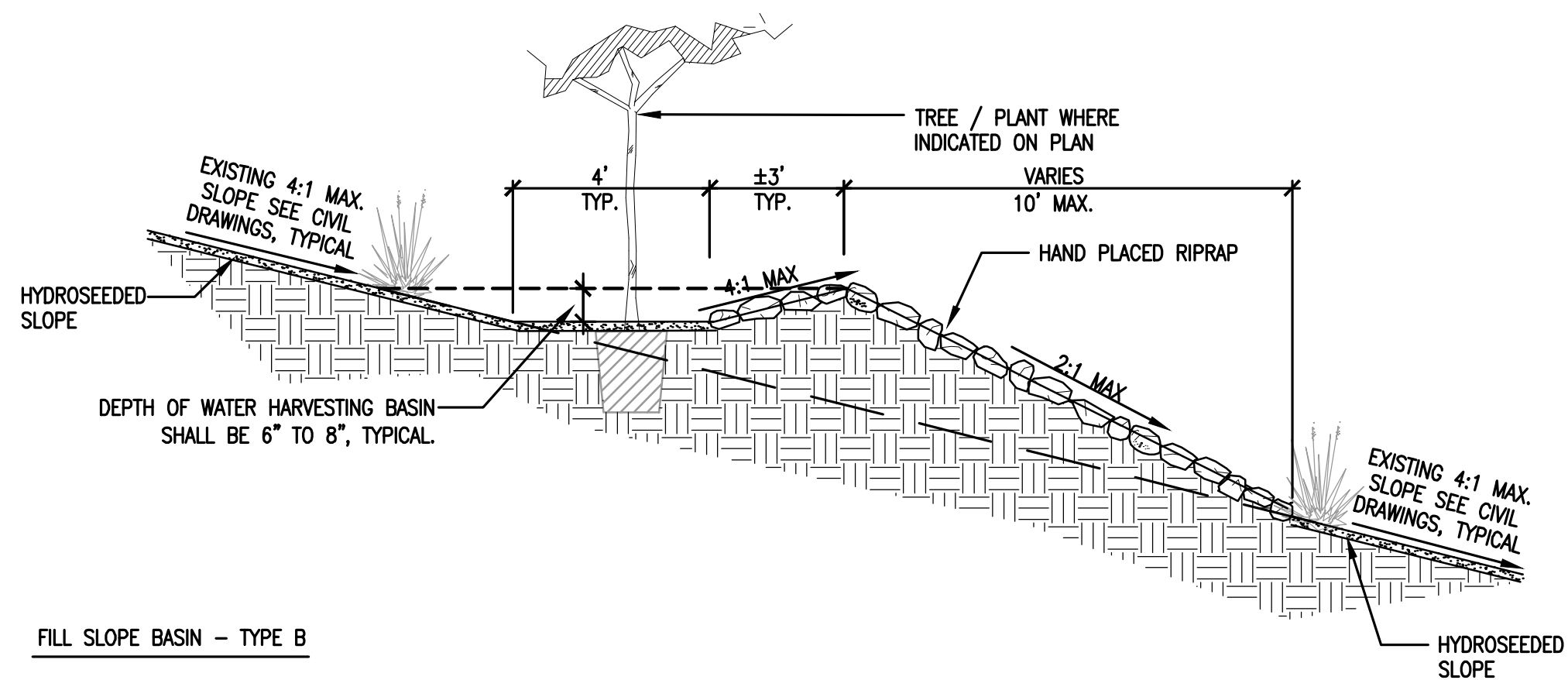
DEPARTMENT OF TRANSPORTATION/ENGINEERING DIVISION			
SILVERBELL ROAD EL CAMINO DEL CERRO TO GORET ROAD L42 MEDIAN NOSE PAVING AND DETAILS			
Approvals	Signatory	Date	
			Approved _____ 20__
			TRANSPORTATION DIRECTOR
			REF. _____ SCALE: 1" = 20'
			PLAN NO. _____



1 RAIN WATER HARVESTING BERM
SCALE: N.T.S.



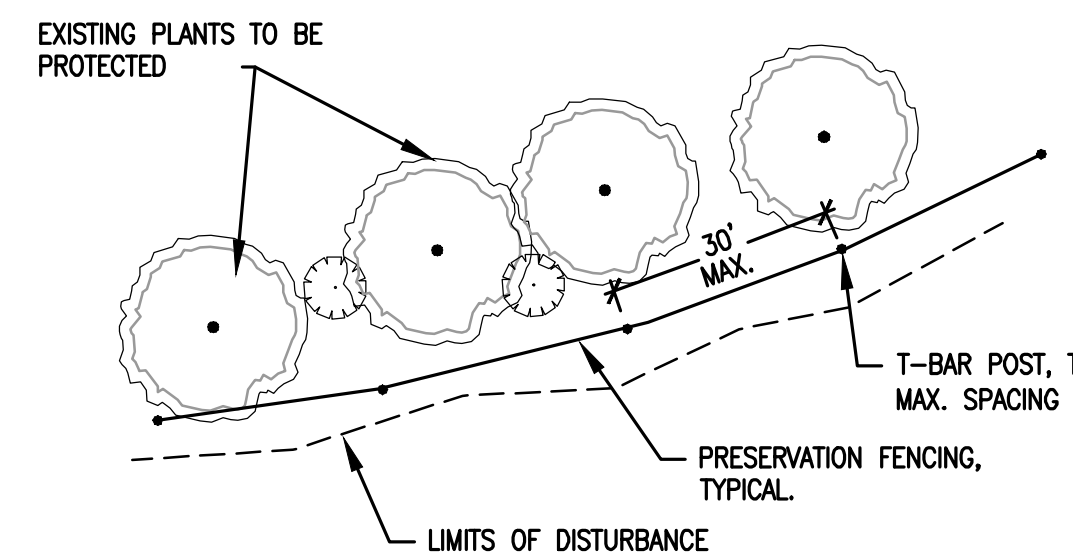
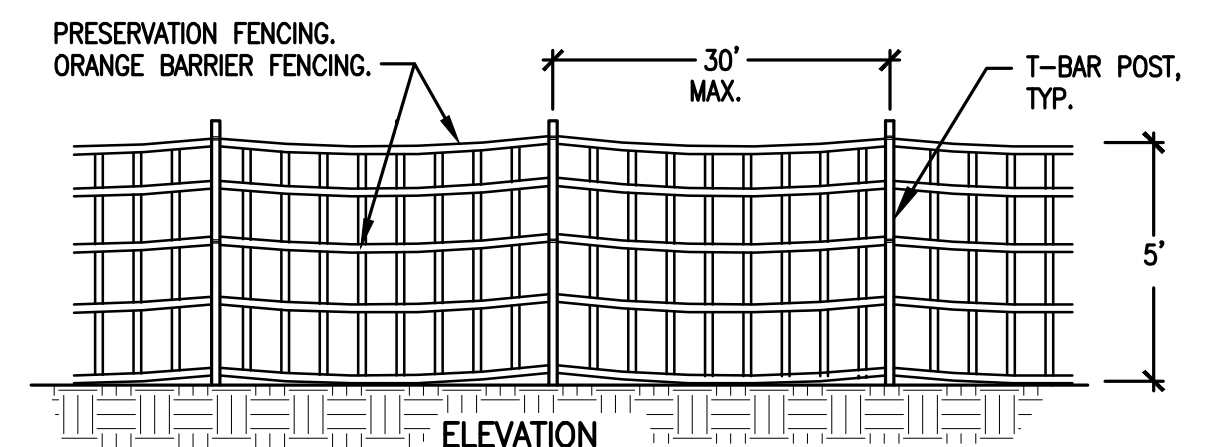
CUT SLOPE BASIN - TYPE A



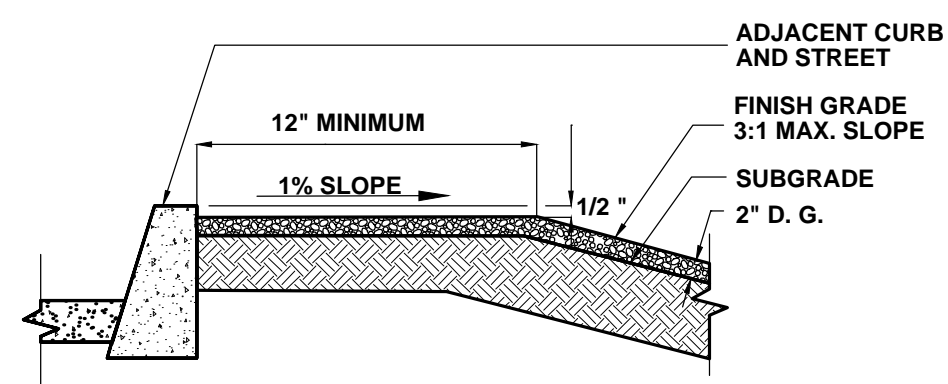
FILL SLOPE BASIN - TYPE B

2 TYPICAL SECTION WATER HARVESTING BASIN ON SLOPE
SCALE: N.T.S.

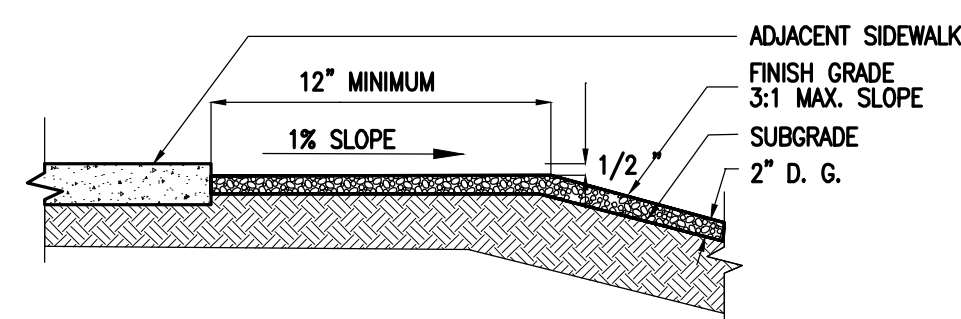
PL-4.1



3 PROTECTION FENCING DETAIL
SCALE: N.T.S.



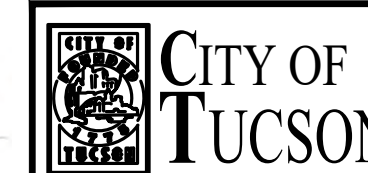
4 TYP. CURB-FIN. GRADE W/ DECOMPOSED GRANITE
NTS



5 TYP. SIDEWALK-FIN. GRADE W/ DECOMPOSED GRANITE
NTS

L43 OF L43

McGann & Associates
Landscape Architects and Planners
8814 North Oracle Road, Suite 210, Tucson AZ 85704



DEPARTMENT OF TRANSPORTATION/ENGINEERING DIVISION

SILVERBELL ROAD
EL CAMINO DEL CERRO TO GORET ROAD
L43 WATER HARVESTING DETAILS

NO.	DATE	REVISION	BY	CHKD.	APPR.

PRELIMINARY
100%
REVIEW
NOT FOR
CONSTRUCTION
OR RECORDING

Approvals	Signatory	Date

Approved _____ 20__ 243 OF 446
TRANSPORTATION DIRECTOR
REF. _____ SCALE: 1" = 20'
PLAN NO. _____

Two working days before you dig,
CALL FOR THE BLUE STAKES
1-800-782-5348

DATE \$
FILE \$