

McGann & Associates Inc. Landscape Architects and Planners

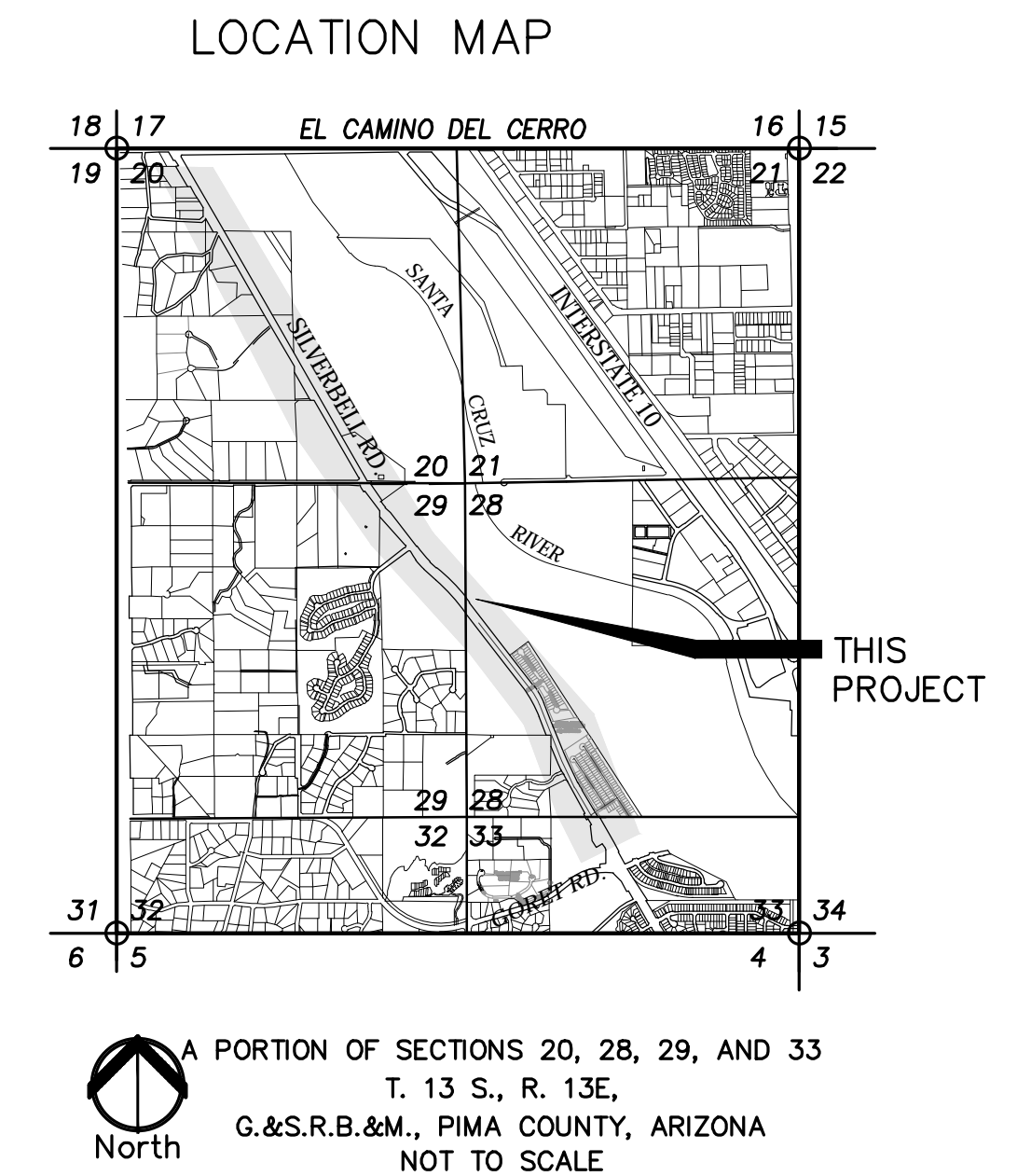
6814 North Oracle Road, Suite 210 Tucson, Arizona 85704
Telephone: (520) 297-9540 Fax: (520) 297-9545

Civil Engineers

EPS GROUP
8710 N. THORNYDALE ROAD STE 140
TUCSON, AZ 85742
Telephone (520) 408-1400

CITY OF TUCSON DEPARTMENT OF TRANSPORTATION / ENGINEERING DIVISION

SILVERBELL ROAD - PHASE 2 EL CAMINO DEL CERRO TO GORET ROAD IMPROVEMENT PLANS NATIVE PLANT PRESERVATION PLAN



INDEX TO DRAWINGS

N1	COVER SHEET, SUMMARY TABLE AND GENERAL NOTES
N2	NATIVE PLANT PRESERVATION PLAN: AREA 1
N3	NATIVE PLANT PRESERVATION PLAN: AREA 2
N4	NATIVE PLANT PRESERVATION PLAN: AREA 3
N5	NATIVE PLANT PRESERVATION PLAN: AREA 4
N6	NATIVE PLANT PRESERVATION PLAN: AREA 5
N7	NATIVE PLANT PRESERVATION PLAN: AREA 6
N8	NATIVE PLANT PRESERVATION PLAN: AREA 7
N9	NATIVE PLANT PRESERVATION PLAN: AREA 8
N10	NATIVE PLANT PRESERVATION PLAN: AREA 9
N11	NATIVE PLANT PRESERVATION PLAN: AREA 10
N12	NATIVE PLANT PRESERVATION PLAN: AREA 11
N13	NATIVE PLANT PRESERVATION PLAN: AREA 12
N14	NATIVE PLANT PRESERVATION PLAN: AREA 13
N15	NATIVE PLANT PRESERVATION PLAN: AREA 14
N16	NATIVE PLANT PRESERVATION PLAN: AREA 15
N17	NATIVE PLANT PRESERVATION PLAN: AREA 16
N18	NATIVE PLANT PRESERVATION PLAN: AREA 17
N19	NATIVE PLANT PRESERVATION PLAN: AREA 18
N20	THRU N23 INVENTORY DATA

NATIVE PLANT PRESERVATION PLAN MITIGATION SUMMARY TABLE

SPECIES	INVENTORIED QUANTITY OF VIALBE PLANTS (PLANTS RATED MEDIUM AND HIGH VIABILITY)	QUANTITY TO BE PRESERVED-IN-PLACE (PIP)	QUANTITY TO BE TRANSPLANTED ON-SITE (TOS)	QUANTITY OF TO BE REMOVED FROM SITE (RFS)	PERCENTAGE OF VIALBE TO BE PIP AND / OR TOS	MITIGATION REQUIREMENT FOR TOS AND RFS	PRESERVATION CREDIT	NET MITIGATION REQUIREMENT	MINIMUM PLANTS ON SITE AFTER COMPLETION PIP, TOS & MITIGATION
TREES									
Acacia constricta	71	31	3	37	51%	70	40	26	62
Whitethorn Acacia									
Acacia greggii	53	17	7	29	45%	58	26	0	49
Catalaw Acacia									
Celtis pallida	1	0	0	1	0%	2	0	2	2
Desert Hackberry									
Cercidium floridum	99	39	9	51	48%	102	78	13	61
Blue Palo Verde									
Cercidium microphyllum	25	11	2	12	52%	24	14	8	21
Foothills Palo Verde									
Olneya tesota	2	2	0	0	100%	0	5	0	2
Ironwood									
Prosopis velutina	184	29	29	126	30%	272	80	189	249
Velvet Mesquite									
SHRUBS									
Acacia constricta	46	12	6	28	48%	46	32	8	32
Whitethorn Acacia									
Acacia greggii	21	2	5	14	33%	28	4	27	34
Catalaw Acacia									
Celtis pallida	3	2	0	1	67%	2	6	0	2
Desert Hackberry									
Zizyphus obtusifolia	47	12	8	27	43%	56	24	26	46
Graythorn									
CACTI / SUCCULENTS									
Carnegiea gigantea	29	6	18	5	83%	18	3	3	33
Saguaro									
Ferocactus wislizenii	74	29	41	3	96%	6	36	0	72
Fishhook Barrel									
Fouquieria splendens	6	1	4	1	83%	3	2	0	5
Ocotillo									
Peniocereus greggii	7	1	6	0	100.0%	1	0	0	7
Night-Blooming Cereus									

Note: Low-viability plants not included in total

GENERAL NOTES

- THIS NATIVE PLANT PRESERVATION PLAN WAS PREPARED BY MCGANN & ASSOCIATES. THE NATIVE PLANT INVENTORY WAS COMPLETED IN JULY 2016.
- THE TOTAL SITE AREA IS APPROXIMATELY 47 ACRES.
- THE SALVAGE AND MITIGATION STANDARDS USED FOR THIS PROJECT WERE BASED ON THE CITY OF TUCSON LAND USE CODE, SECTION 3.8.6. SHEETS N20 THRU N23 PROVIDE THE COMPLETE NATIVE PLANT INVENTORY TABLE AND MITIGATION SUMMARY TABLE IS INCLUDED ON N1.
- NO TEMPORARY NURSERY WILL BE ESTABLISHED FOR NATIVE TREES AND SHRUBS TO BE TRANSPLANTED. THE TRANSPLANT OF TREES AND SHRUBS WILL BE ACCOMPLISHED IN ONE MOVE TO LOCATIONS IDENTIFIED BY THE PROJECT ENGINEER. A TEMPORARY NURSERY WILL BE ESTABLISHED FOR SALVAGED CACTI WITHIN THE LIMITS OF THE CONSTRUCTION STAGING AREA.
- THE NOTES PROVIDED BELOW ARE THE REQUIRED NOTES FOR THE CITY OF TUCSON.

NATIVE PLANT PRESERVATION & SALVAGE NOTES:

- NATURAL AREAS OUTSIDE THE LIMITS OF GRADING THAT ARE TO BE PRESERVED SHALL BE PROTECTED FROM INTRUSION OR DAMAGE BY TEMPORARY FENCING. FENCING STANDARDS, INCLUDING SETBACKS FROM INDIVIDUAL PLANTS, SHALL COMPLY WITH D.S. 2-15.6.0. TEMPORARY FENCING SHALL BE INSTALLED PER THE DETAIL SHOWN IN D.S. 2-06.8.0 FIGURE 13 - SITE PRESERVATION FENCE DETAIL.
- EXISTING PROTECTED NATIVE PLANTS HAVE BEEN IDENTIFIED AND LOCATED DURING AN INVENTORY CONDUCTED IN JULY 2016. THE LOCATION OF THE SPECIES FOUND ARE INDICATED ON THE PLAN BY THE SYMBOLS SHOWN IN THE NATIVE PLANT LEGEND. AN IDENTIFICATION NUMBER IS INCLUDED WITH EACH SYMBOL THAT CROSS REFERENCES THE PLANT TO THE INVENTORY LISTS INCLUDED WITH THIS PLAN. THE INVENTORY LISTS SUMMARIZE THE VIABILITY, TRANSPLANTABILITY, AND PROPOSED STATUS OR DISPOSITION OF THE PLANTS INVENTORIED.

- IN ADDITION TO FIELD LOCATION AND CATEGORIZATION, EACH PLANT WAS TAGGED PER D.S. 2-15.5.0. ALL PLANTS WERE TAGGED WITH EMBOSSED METAL TAGS MARKED WITH THE IDENTIFICATION NUMBER PROVIDED ON THE INVENTORY LISTS AND SHOWN ON THE PLAN. COLOR CODED FLAGGING WAS NOT IMPLEMENTED DUE TO PROJECT TIMELINE. FLAGGING WILL BE PLACED CLOSER TO THE TIME OF CONSTRUCTION. FLAGGING COLOR CODED AS FOLLOWS:
BLUE - TRANSPLANT ON-SITE
YELLOW - REMOVE FROM SITE
WHITE - PRESERVE-IN-PLACE

- PLANT PROTECTION DURING CONSTRUCTION SHALL COMPLY WITH REQUIREMENTS PER L.U.C. 3.8.6.6 INCLUDING MONITORING AND REPORTING OF SITE CONSTRUCTION ACTIVITIES RELATED TO CLEARING, GRADING, PLANT PROTECTION, PRESERVATION, SALVAGE, AND MITIGATION.

- SEE THE LANDSCAPE PLAN FOR THIS PROJECT FOR INFORMATION RELATED TO THE PROPOSED USE AND LOCATION OF SALVAGED PLANT MATERIALS.

- NPPO PRE-PERMIT INSPECTION REQUIRED PRIOR TO GRADING INSPECTION, CAN BE SCHEDULED BY THROUGH THE CITY OF TUCSON PROJECT MANAGER FOR THE PROJECT.

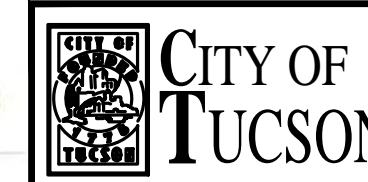
- SALVAGE AND TRANSPLANTING WORK SHALL BE AS OUTLINED IN THE SPECIFICATIONS FOR THIS PROJECT AND SHALL COMPLY WITH NORMAL STANDARDS AND PRACTICES AND D.S. 2-15.4.0.

- FENCING SHALL BE REQUIRED DURING CONSTRUCTION PER DS 2-6.8.0 FIG. 1 FOR INDIVIDUAL PROTECTED NATIVE PLANTS TO BE PRESERVED-IN-PLACE. THE AREA TO BE FENCED SHALL BE BEYOND THE "DRIP-LINE" OF THE VEGETATION BY ONE-HALF (1/2) THE DISTANCE OF THE "DRIP-LINE" RADIUS. FOR SAGUAROS AND CACTI, THE AREA TO BE FENCED SHALL BE EQUAL TO THE DISTANCE OF ONE-HALF (1/2) THE HEIGHT OF THE PLANT PER DS 2-15.6.0.

N1 OF N23

DEPARTMENT OF TRANSPORTATION/ENGINEERING DIVISION

SILVERBELL ROAD
EL CAMINO DEL CERRO TO GORET ROAD
N1 COVER SHEET, SUMMARY TABLE AND GENERAL NOTES



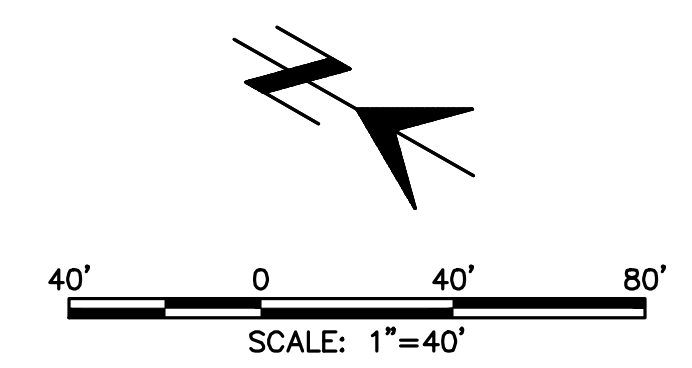
PRELIMINARY
100%
REVIEW
NOT FOR
CONSTRUCTION
OR RECORDING

Approvals	Signatory	Date
Approved _____ 20__		
TRANSPORTATION DIRECTOR		
REF. _____ SCALE: 1" = 40'		
PLAN NO. _____		

NO.	DATE	REVISION	BY	CHKD.	APPR.

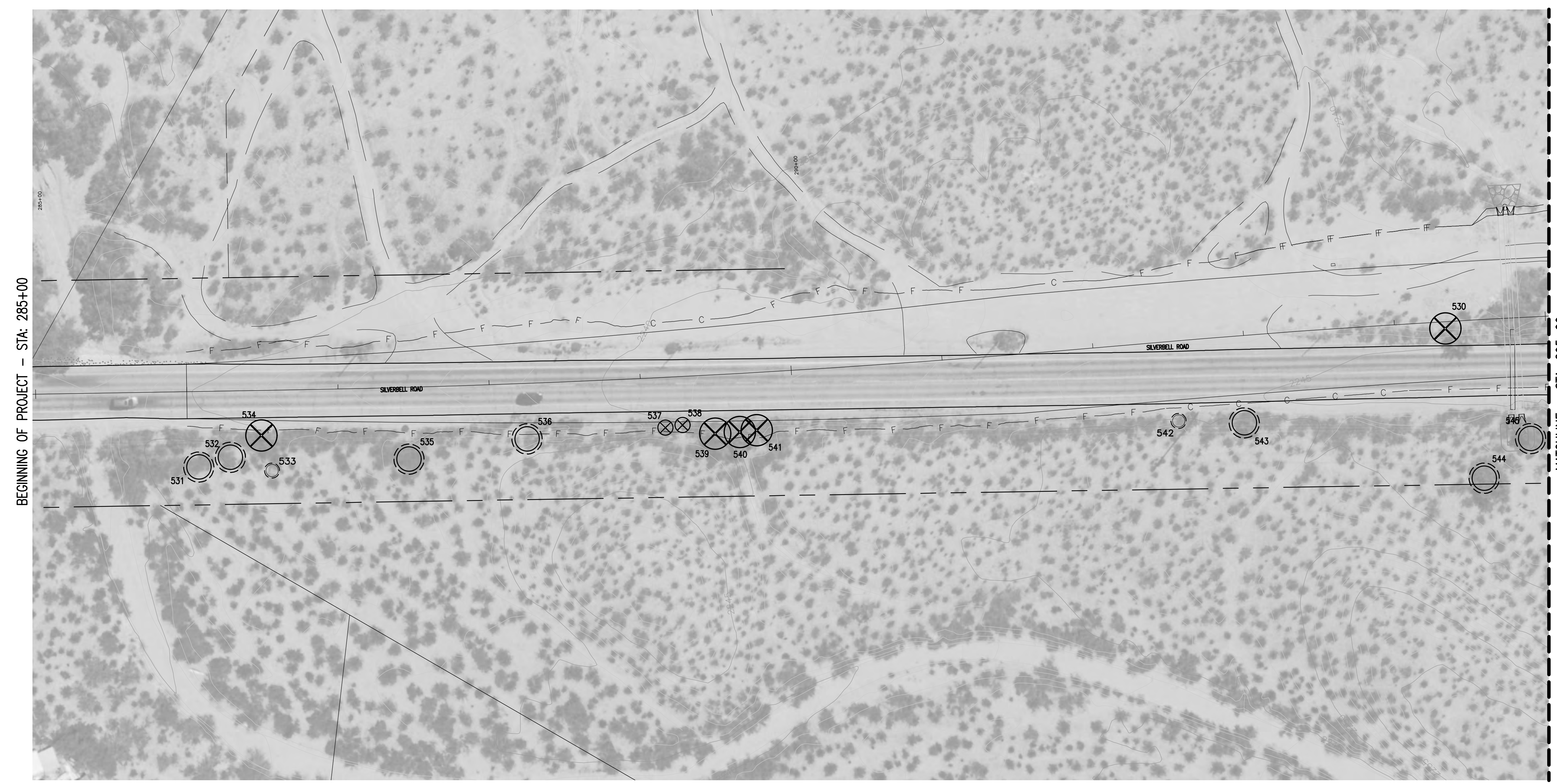


\$DATE\$
\$FILE\$

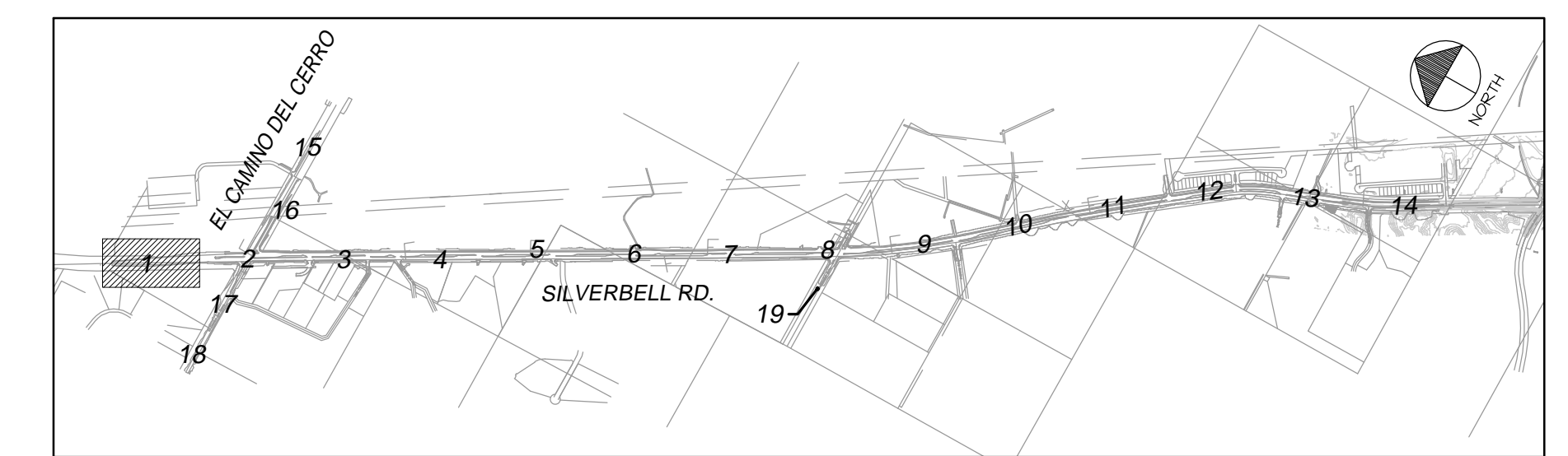


- NOTES:
1. NATIVE PLANT INVENTORY COMPLETED IN JULY 2016
 2. TREES AND SHRUBS TO BE TRANSPLANTED USING SPADING TECHNIQUES AND MOVED TO A PERMANENT LOCATION ALONG SILVERBELL ROAD SOUTH OF GRANT ROAD. TRANSPLANT LOCATIONS TO BE IDENTIFIED BY THE PROJECT ENGINEER.
 3. CACTI SHALL BE BARE ROOT TRANSPLANTED, STORED IN AN ON SITE HOLDING NURSERY DURING CONSTRUCTION AND PLANTED WITHIN THE PROJECT LIMIT AT THE END OF CONSTRUCTION. SEE LANDSCAPE PLANS FOR FINAL LOCATIONS.

SYMBOL LEGEND AND KEY			
PLANT	PRESERVE IN PLACE	TRANSPLANT ON-SITE	REMOVE FROM SITE
TREE			
SHRUB			
CACTUS			



NATIVE PLANT PRESERVATION PLAN – AREA 1 – BEGINNING OF PROJECT TO STA: 295+00
SCALE: 1" = 40'-0"



AREA KEY MAP
SCALE: N.T.S.

N2 OF N23

DATE\$
FILE\$

Two working days before you dig,
CALL FOR THE BLUE STAKES
1-800-782-5348

NO.	DATE	REVISION	BY	CHKD.	APPR.

McGann & Associates
Landscape Architects and Planners
8814 North Oracle Road, Suite 210, Tucson AZ 85704

CITY OF TUCSON

PRELIMINARY
100%
REVIEW
NOT FOR
CONSTRUCTION
OR RECORDING

DEPARTMENT OF TRANSPORTATION/ENGINEERING DIVISION

SILVERBELL ROAD
EL CAMINO DEL CERRO TO GORET ROAD
N2 NATIVE PLANT PRESERVATION PLAN – AREA 1

Approvals	Signatory	Date	Approved
			20

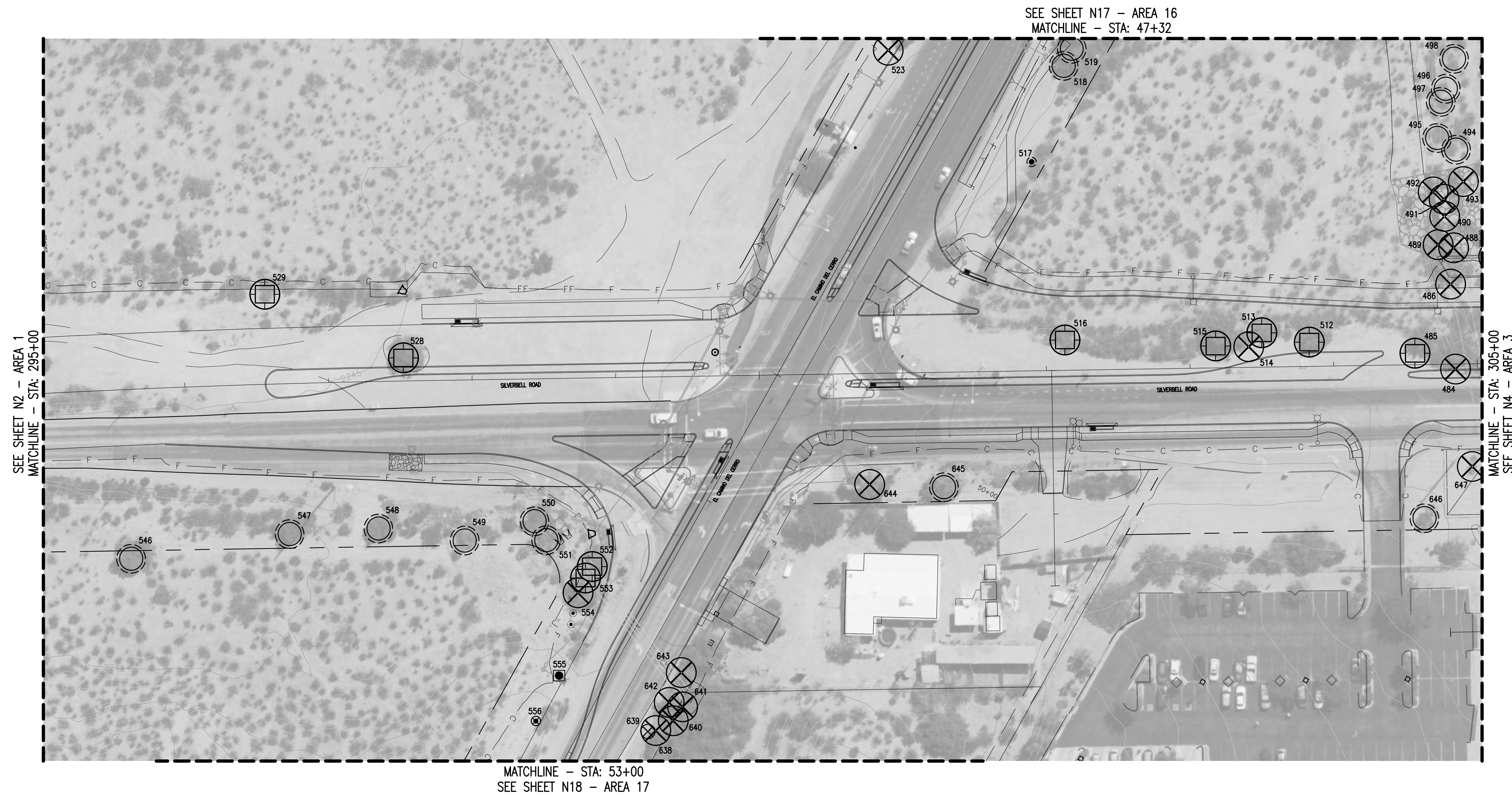
TRANSPORTATION DIRECTOR

REF. _____ SCALE: 1" = 40'

PLAN NO. _____

181
OF
446

DRWN. BY 2018 DSGN. BY 2018 CHKD. BY 2018



SEE SHEET N2 - AREA 1
MATCHLINE - STA: 295+00

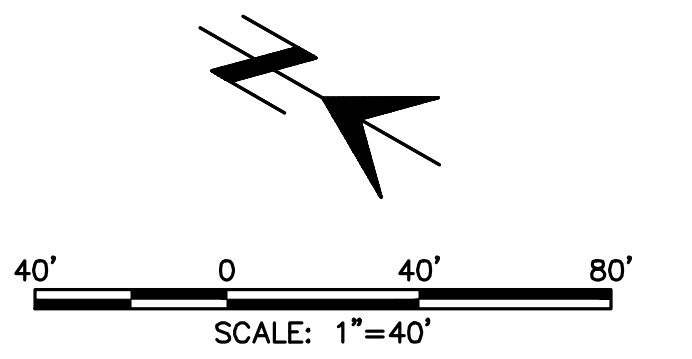
MATCHLINE - STA: 305+00
SEE SHEET N4 - AREA 3

SEE SHEET N17 - AREA 16
MATCHLINE - STA: 47+32

MATCHLINE - STA: 53+00
SEE SHEET N18 - AREA 17

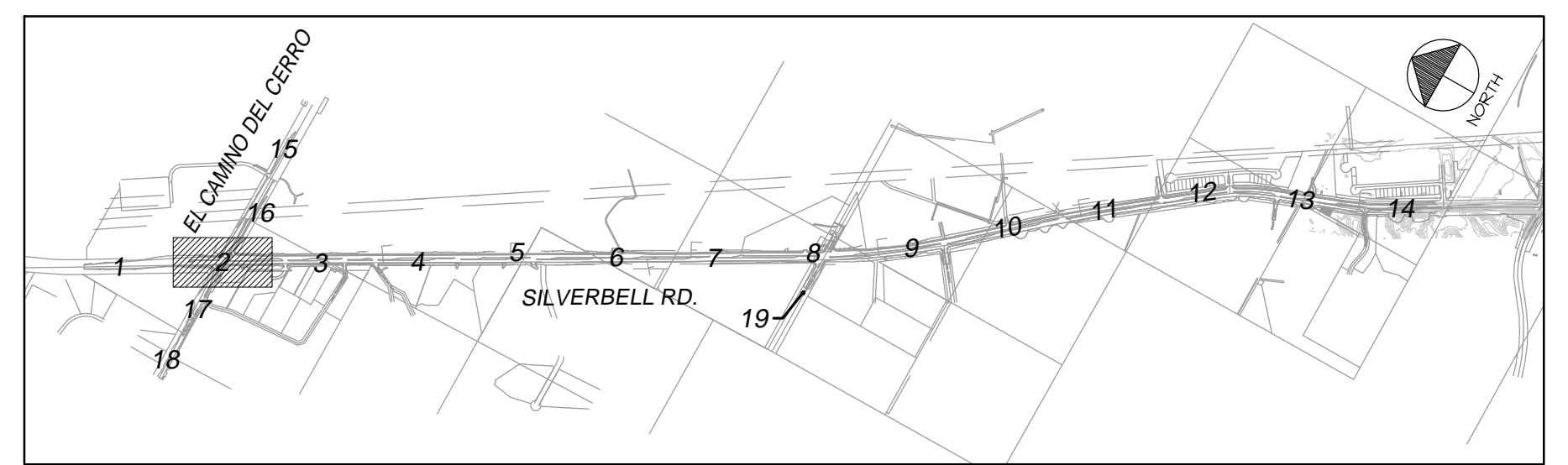
NATIVE PLANT PRESERVATION PLAN - AREA 2 - STA: 295+00 TO STA: 305+00

SCALE: 1" = 40'-0"



- NOTES:
1. NATIVE PLANT INVENTORY COMPLETED IN JULY 2016
 2. TREES AND SHRUBS TO BE TRANSPLANTED USING SPADING TECHNIQUES AND MOVED TO A PERMANENT LOCATION ALONG SILVERBELL ROAD SOUTH OF GRANT ROAD. TRANSPLANT LOCATIONS TO BE IDENTIFIED BY THE PROJECT ENGINEER.
 3. CACTI SHALL BE BARE ROOT TRANSPLANTED, STORED IN AN ON SITE HOLDING NURSERY DURING CONSTRUCTION AND PLANTED WITHIN THE PROJECT LIMIT AT THE END OF CONSTRUCTION. SEE LANDSCAPE PLANS FOR FINAL LOCATIONS.

SYMBOL LEGEND AND KEY			
PLANT	PRESERVE IN PLACE	TRANSPLANT ON-SITE	REMOVE FROM SITE
TREE			
SHRUB			
CACTUS			



AREA KEY MAP
SCALE: N.T.S.

N3 OF N23

DEPARTMENT OF TRANSPORTATION/ENGINEERING DIVISION

SILVERBELL ROAD
EL CAMINO DEL CERRO TO GORET ROAD
N3 NATIVE PLANT PRESERVATION PLAN - AREA 2

NO.	DATE	REVISION	BY	CHKD.	APPR.

PRELIMINARY
100%
REVIEW
NOT FOR
CONSTRUCTION
OR RECORDING

Approvals	Signatory	Date

Approved _____ 20__ 182 OF 446
TRANSPORTATION DIRECTOR
REF. _____ SCALE: 1" = 40'
PLAN NO. _____

DRWN. BY SM 2018 DSGN. BY SM 2018 CHKD. BY SM 2018

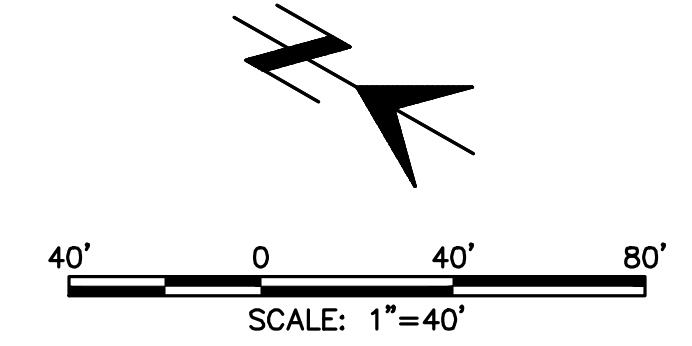
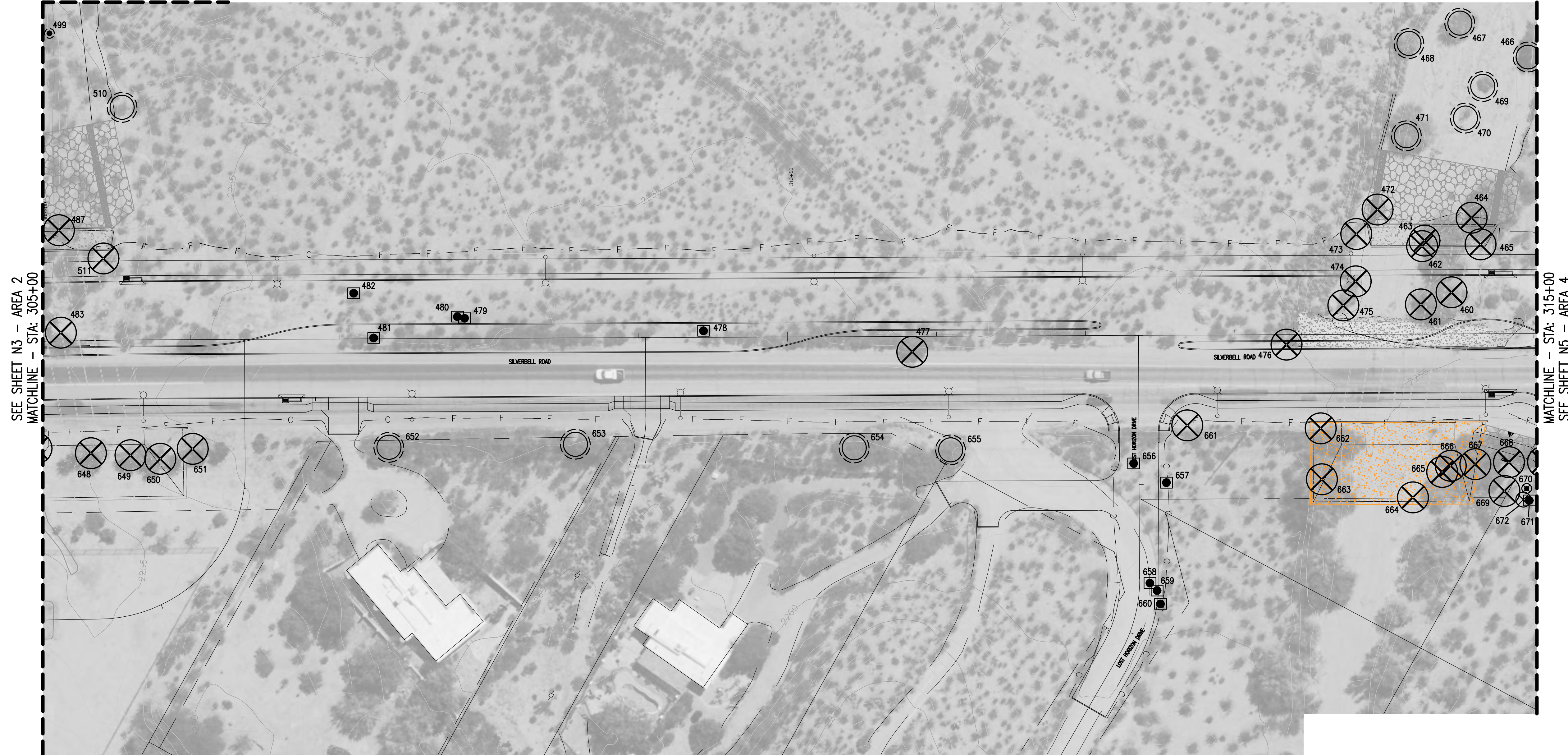
DATE\$
FILE\$

Two working days before you dig
CALL FOR THE BLUE STAKES
1-800-782-5348

McGann & Associates
Landscape Architects and Planners
8814 North Oracle Road, Suite 210, Tucson, AZ 85718



SEE SHEET N17 - AREA 16
MATCHLINE - STA: 47+32



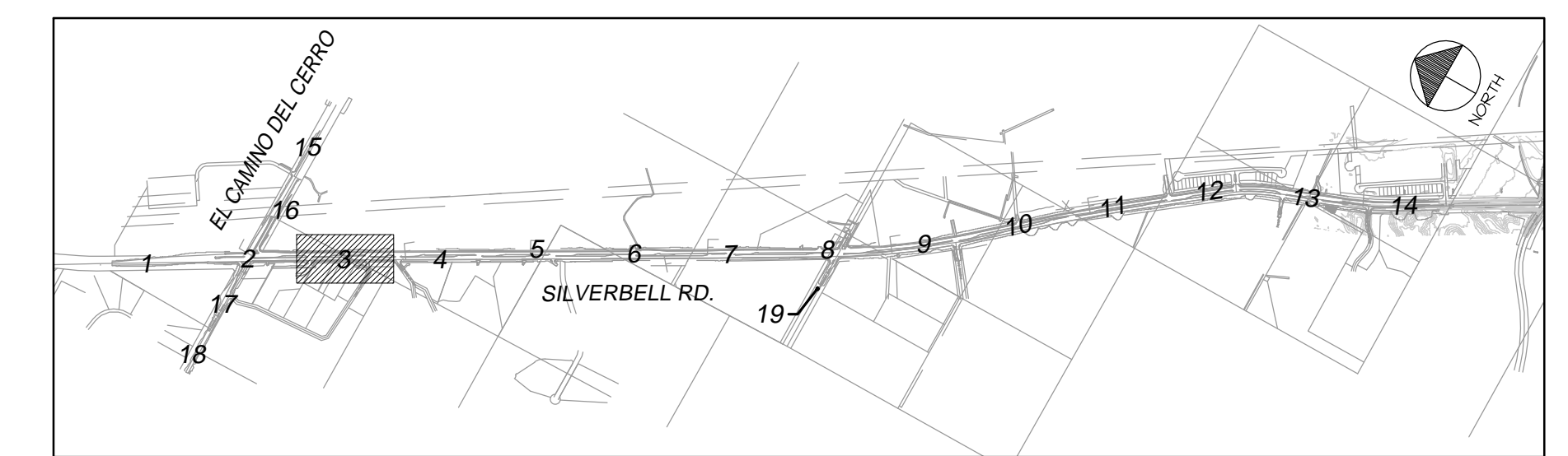
- NOTES:
1. NATIVE PLANT INVENTORY COMPLETED IN JULY 2016
 2. TREES AND SHRUBS TO BE TRANSPLANTED USING SPADING TECHNIQUES AND MOVED TO A PERMANENT LOCATION ALONG SILVERBELL ROAD SOUTH OF GRANT ROAD. TRANSPLANT LOCATIONS TO BE IDENTIFIED BY THE PROJECT ENGINEER.
 3. CACTI SHALL BE BARE ROOT TRANSPLANTED, STORED IN AN ON SITE HOLDING NURSERY DURING CONSTRUCTION AND PLANTED WITHIN THE PROJECT LIMIT AT THE END OF CONSTRUCTION. SEE LANDSCAPE PLANS FOR FINAL LOCATIONS.

SYMBOL LEGEND AND KEY			
PLANT	PRESERVE IN PLACE	TRANSPLANT ON-SITE	REMOVE FROM SITE
TREE			
SHRUB			
CACTUS			

SEE SHEET N3 - AREA 2
MATCHLINE - STA: 305+00

MATCHLINE - STA: 315+00
SEE SHEET N5 - AREA 4

NATIVE PLANT PRESERVATION PLAN - AREA 3 - STA: 305+00 TO STA: 315+00
SCALE: 1" = 40'-0"



AREA KEY MAP
SCALE: N.T.S.

N4 OF N23

DEPARTMENT OF TRANSPORTATION/ENGINEERING DIVISION

SILVERBELL ROAD
EL CAMINO DEL CERRO TO GORET ROAD
N4 NATIVE PLANT PRESERVATION PLAN - AREA 3

McGann & Associates
Landscape Architects and Planners
8814 North Oracle Road, Suite 210, Tucson, AZ 85718



PRELIMINARY
100%
REVIEW
NOT FOR
CONSTRUCTION
OR RECORDING

NO.	DATE	REVISION	BY	CHKD.	APPR.

Approvals	Signatory	Date

Approved _____ 20__ 183
OF
446

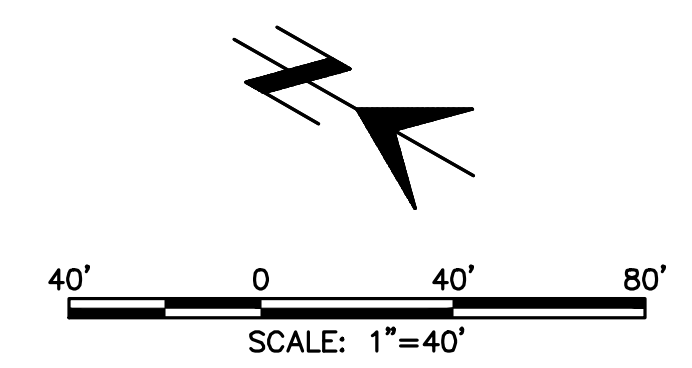
TRANSPORTATION DIRECTOR

REF. _____ SCALE: 1" = 40'

PLAN NO. _____

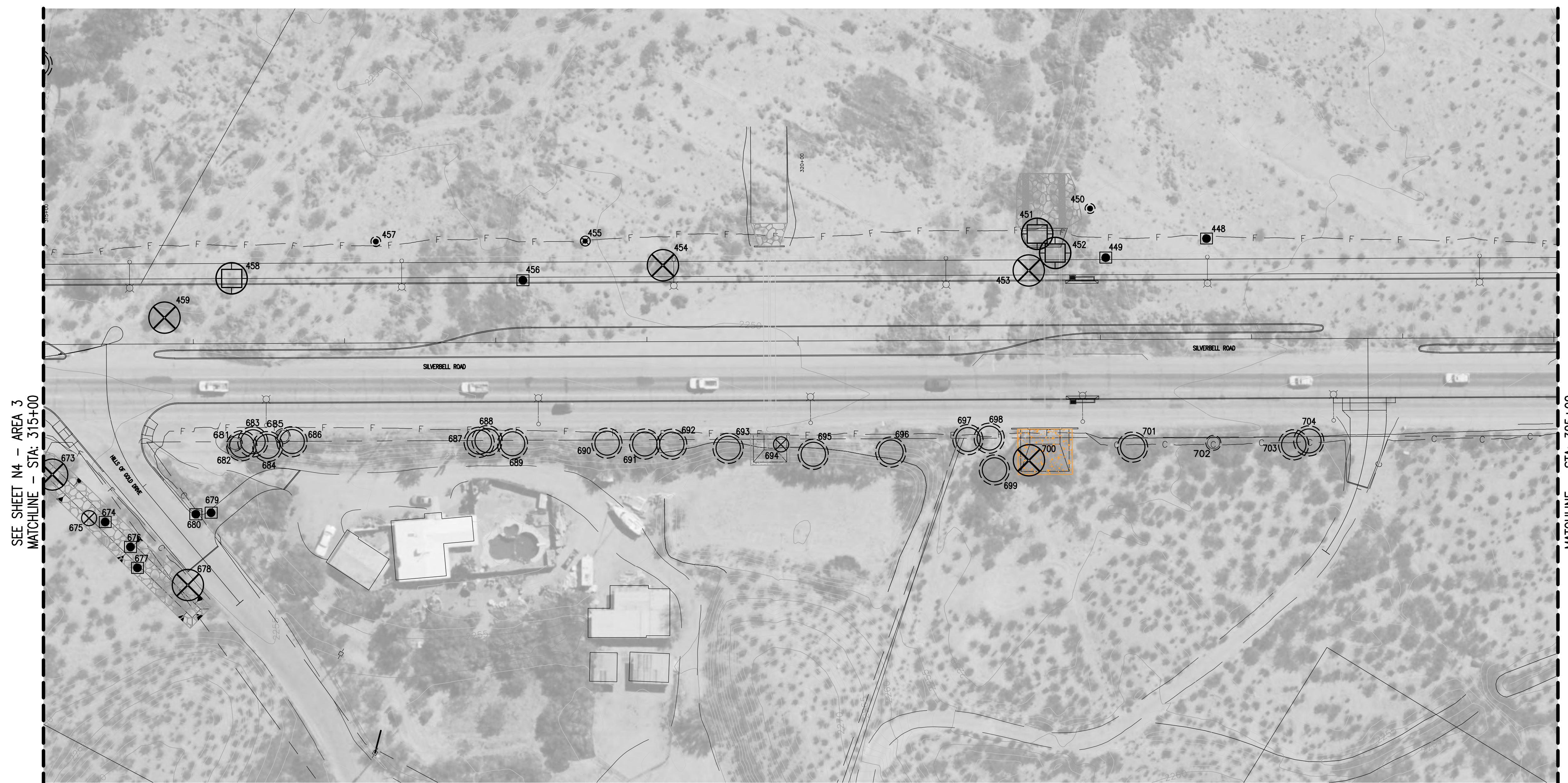
Two working days before you dig,
CALL FOR THE BLUE STAKES
1-800-782-5348

DATE\$
FILE\$



- NOTES:
1. NATIVE PLANT INVENTORY COMPLETED IN JULY 2016
 2. TREES AND SHRUBS TO BE TRANSPLANTED USING SPADING TECHNIQUES AND MOVED TO A PERMANENT LOCATION ALONG SILVERBELL ROAD SOUTH OF GRANT ROAD. TRANSPLANT LOCATIONS TO BE IDENTIFIED BY THE PROJECT ENGINEER.
 3. CACTI SHALL BE BARE ROOT TRANSPLANTED, STORED IN AN ON SITE HOLDING NURSERY DURING CONSTRUCTION AND PLANTED WITHIN THE PROJECT LIMIT AT THE END OF CONSTRUCTION. SEE LANDSCAPE PLANS FOR FINAL LOCATIONS.

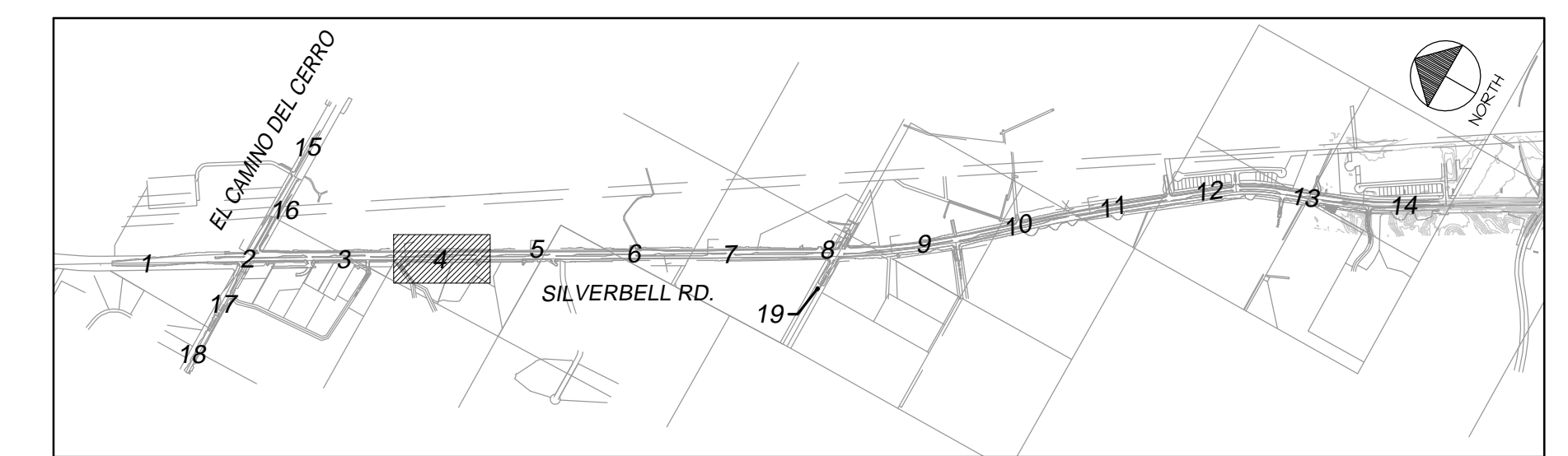
SYMBOL LEGEND AND KEY			
PLANT	PRESERVE IN PLACE	TRANSPLANT ON-SITE	REMOVE FROM SITE
TREE			
SHRUB			
CACTUS			



SEE SHEET N4 - AREA 3
MATCHLINE - STA: 315+00

MATCHLINE - STA: 325+00
SEE SHEET N6 - AREA 5

NATIVE PLANT PRESERVATION PLAN - AREA 4 - STA: 315+00 TO STA: 325+00
SCALE: 1" = 40'-0"



AREA KEY MAP
SCALE: N.T.S.

N5 OF N23

DEPARTMENT OF TRANSPORTATION/ENGINEERING DIVISION

SILVERBELL ROAD
EL CAMINO DEL CERRO TO GORET ROAD
N5 NATIVE PLANT PRESERVATION PLAN - AREA 4

McGann & Associates
Landscape Architects and Planners
8814 North Oracle Road, Suite 210, Tucson, AZ 85718



PRELIMINARY
100%
REVIEW
NOT FOR
CONSTRUCTION
OR RECORDING

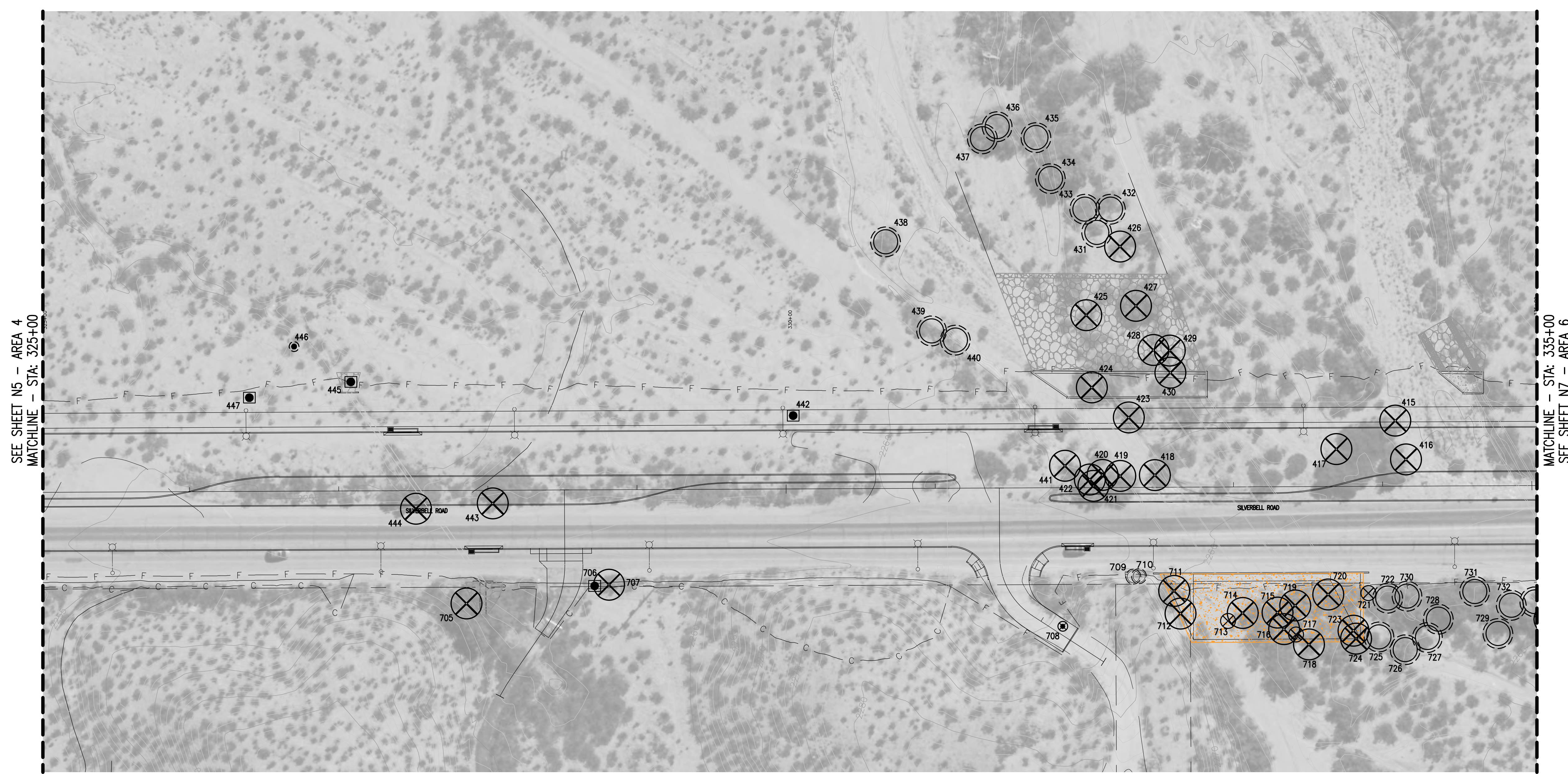
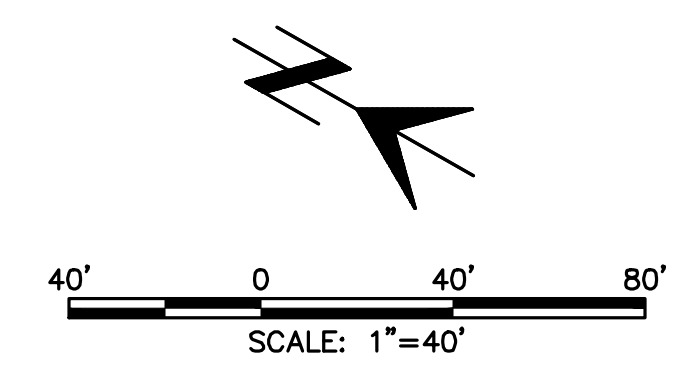
NO.	DATE	REVISION	BY	CHKD.	APPR.

Approvals	Signatory	Date

Approved _____ 20__ 184 OF 446
TRANSPORTATION DIRECTOR
REF. _____ SCALE: 1" = 40'
PLAN NO. _____

Two working days before you dig
CALL FOR THE BLUE STAKES
1-800-782-5348

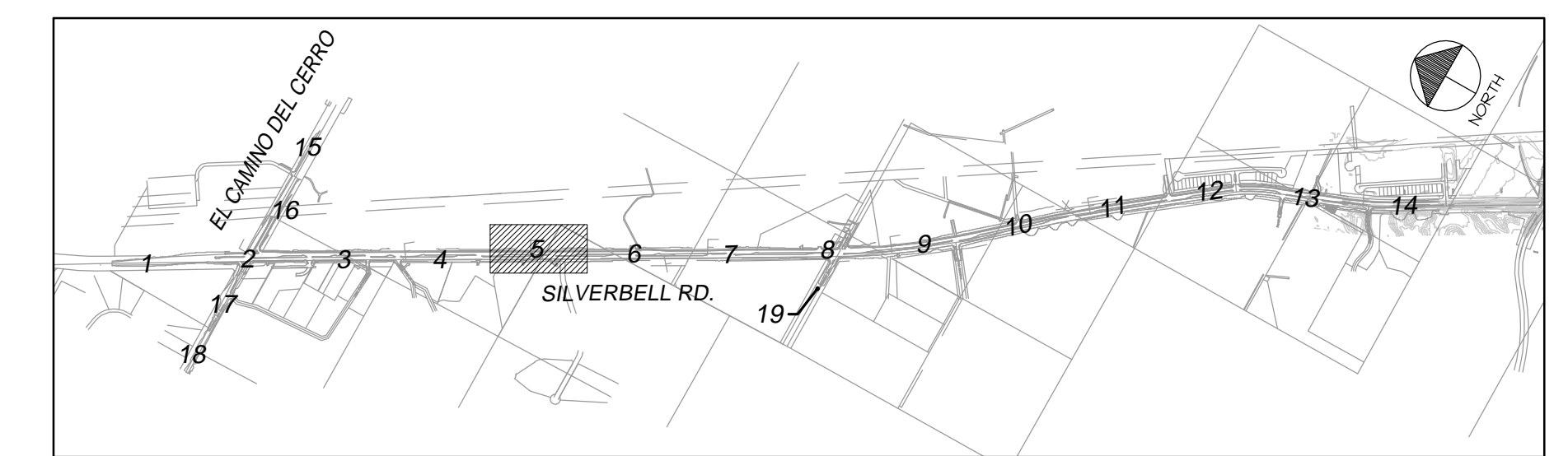
DATE\$
FILE\$



- NOTES:
1. NATIVE PLANT INVENTORY COMPLETED IN JULY 2016
 2. TREES AND SHRUBS TO BE TRANSPLANTED USING SPADING TECHNIQUES AND MOVED TO A PERMANENT LOCATION ALONG SILVERBELL ROAD SOUTH OF GRANT ROAD. TRANSPLANT LOCATIONS TO BE IDENTIFIED BY THE PROJECT ENGINEER.
 3. CACTI SHALL BE BARE ROOT TRANSPLANTED, STORED IN AN ON SITE HOLDING NURSERY DURING CONSTRUCTION AND PLANTED WITHIN THE PROJECT LIMIT AT THE END OF CONSTRUCTION. SEE LANDSCAPE PLANS FOR FINAL LOCATIONS.

SYMBOL LEGEND AND KEY			
PLANT	PRESERVE IN PLACE	TRANSPLANT ON-SITE	REMOVE FROM SITE
TREE			
SHRUB			
CACTUS			

NATIVE PLANT PRESERVATION PLAN - AREA 5 - STA: 325+00 TO STA: 335+00
SCALE: 1" = 40'-0"



AREA KEY MAP
SCALE: N.T.S.

N6 OF N23

DEPARTMENT OF TRANSPORTATION/ENGINEERING DIVISION

SILVERBELL ROAD
EL CAMINO DEL CERRO TO GORET ROAD
N6 NATIVE PLANT PRESERVATION PLAN - AREA 5

McGann & Associates
Landscape Architects and Planners
8814 North Oracle Road, Suite 210, Tucson, AZ 85718



PRELIMINARY
100%
REVIEW
NOT FOR
CONSTRUCTION
OR RECORDING

NO.	DATE	REVISION	BY	CHKD.	APPR.

Approvals	Signatory	Date	Approved
			20

TRANSPORTATION DIRECTOR

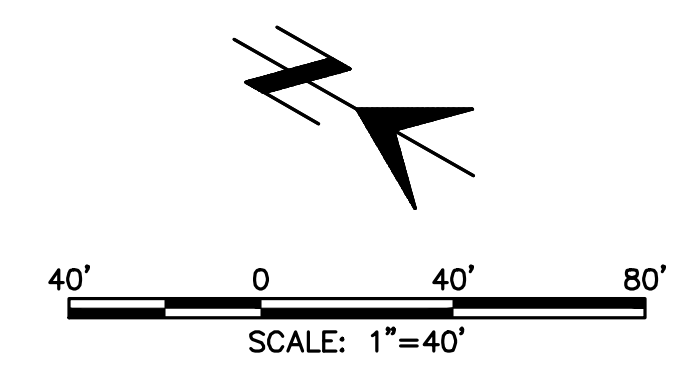
REF. _____ SCALE: 1" = 40'

PLAN NO. _____

185
OF
446

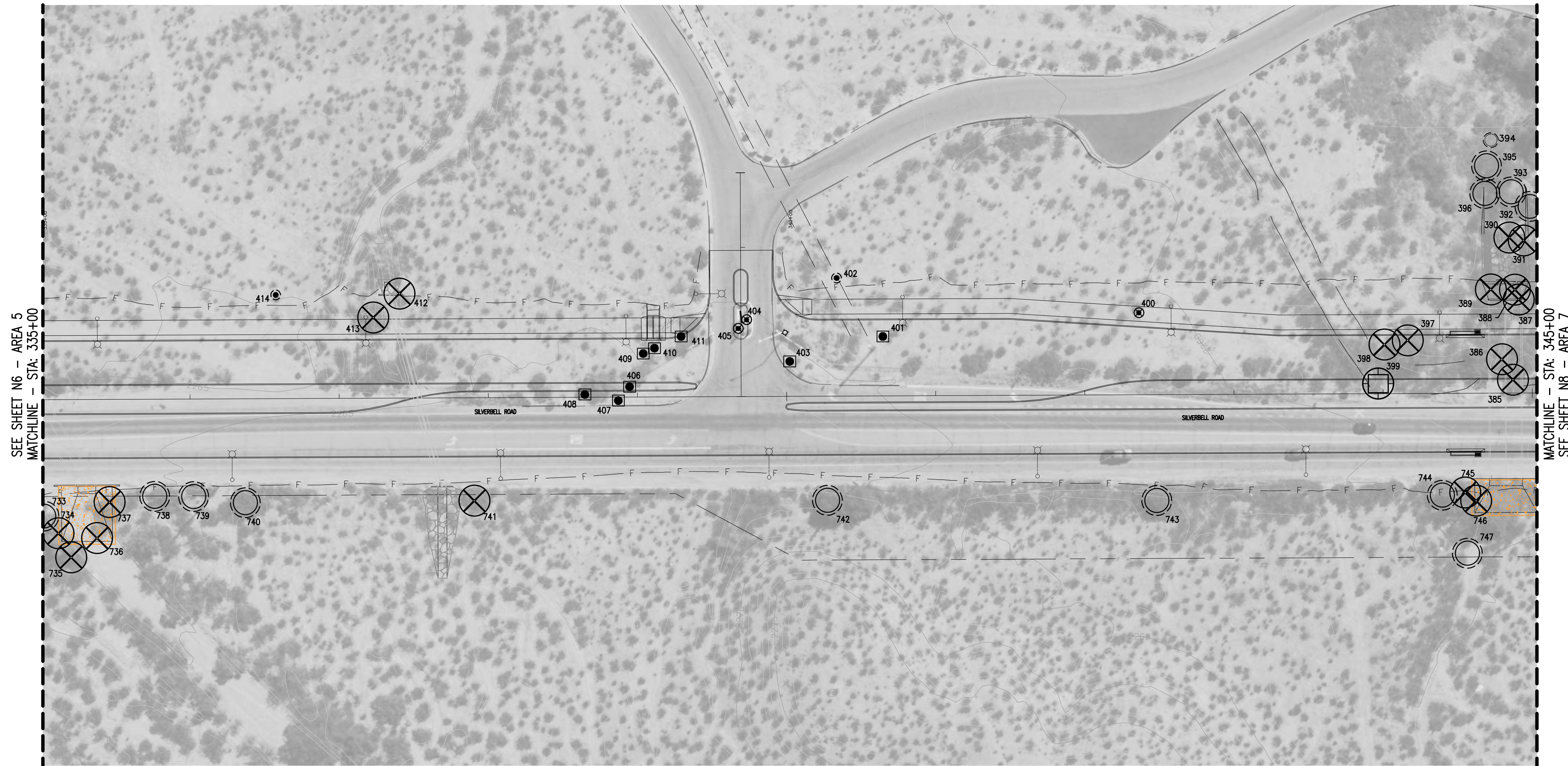
Two working days before you dig,
CALL FOR THE BLUE STAKES
1-800-782-5348

DATE\$
FILE\$



- NOTES:
1. NATIVE PLANT INVENTORY COMPLETED IN JULY 2016
 2. TREES AND SHRUBS TO BE TRANSPLANTED USING SPADING TECHNIQUES AND MOVED TO A PERMANENT LOCATION ALONG SILVERBELL ROAD SOUTH OF GRANT ROAD. TRANSPLANT LOCATIONS TO BE IDENTIFIED BY THE PROJECT ENGINEER.
 3. CACTI SHALL BE BARE ROOT TRANSPLANTED, STORED IN AN ON SITE HOLDING NURSERY DURING CONSTRUCTION AND PLANTED WITHIN THE PROJECT LIMIT AT THE END OF CONSTRUCTION. SEE LANDSCAPE PLANS FOR FINAL LOCATIONS.

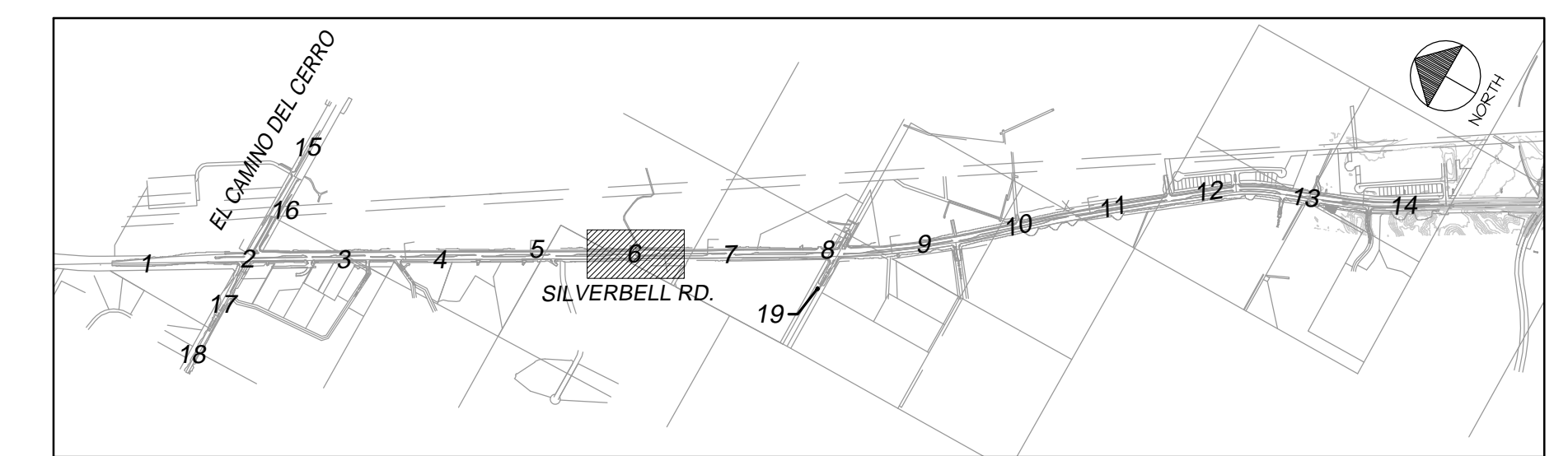
SYMBOL LEGEND AND KEY			
PLANT	PRESERVE IN PLACE	TRANSPLANT ON-SITE	REMOVE FROM SITE
TREE			
SHRUB			
CACTUS			



SEE SHEET N6 - AREA 5
MATCHLINE - STA: 335+00

MATCHLINE - STA: 345+00
SEE SHEET N7 - AREA 7

NATIVE PLANT PRESERVATION PLAN - AREA 6 - STA: 335+00 TO STA: 345+00
SCALE: 1" = 40'-0"



AREA KEY MAP
SCALE: N.T.S.

N7 OF N23

McGann & Associates
Landscape Architects and Planners
8814 North Oracle Road, Suite 210, Tucson, AZ 85718



DEPARTMENT OF TRANSPORTATION/ENGINEERING DIVISION

SILVERBELL ROAD
EL CAMINO DEL CERRO TO GORET ROAD
N7 NATIVE PLANT PRESERVATION PLAN - AREA 6

NO.	DATE	REVISION	BY	CHKD.	APPR.

PRELIMINARY
100%
REVIEW
NOT FOR
CONSTRUCTION
OR RECORDING

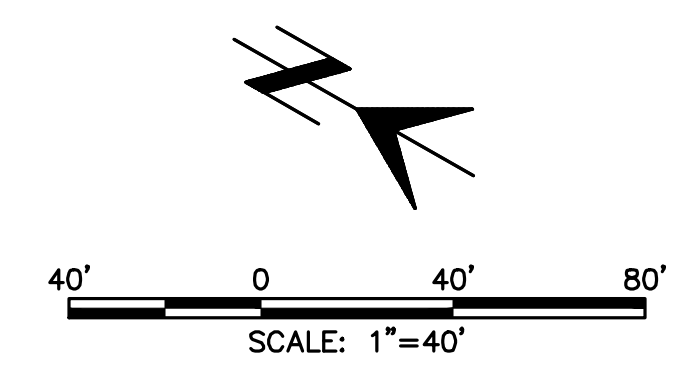
Approvals	Signatory	Date

Approved _____ 20__ 186 OF 446
TRANSPORTATION DIRECTOR
REF. _____ SCALE: 1" = 40'
PLAN NO. _____

Two working days before you dig,
CALL FOR THE BLUE STAKES
1-800-782-5348

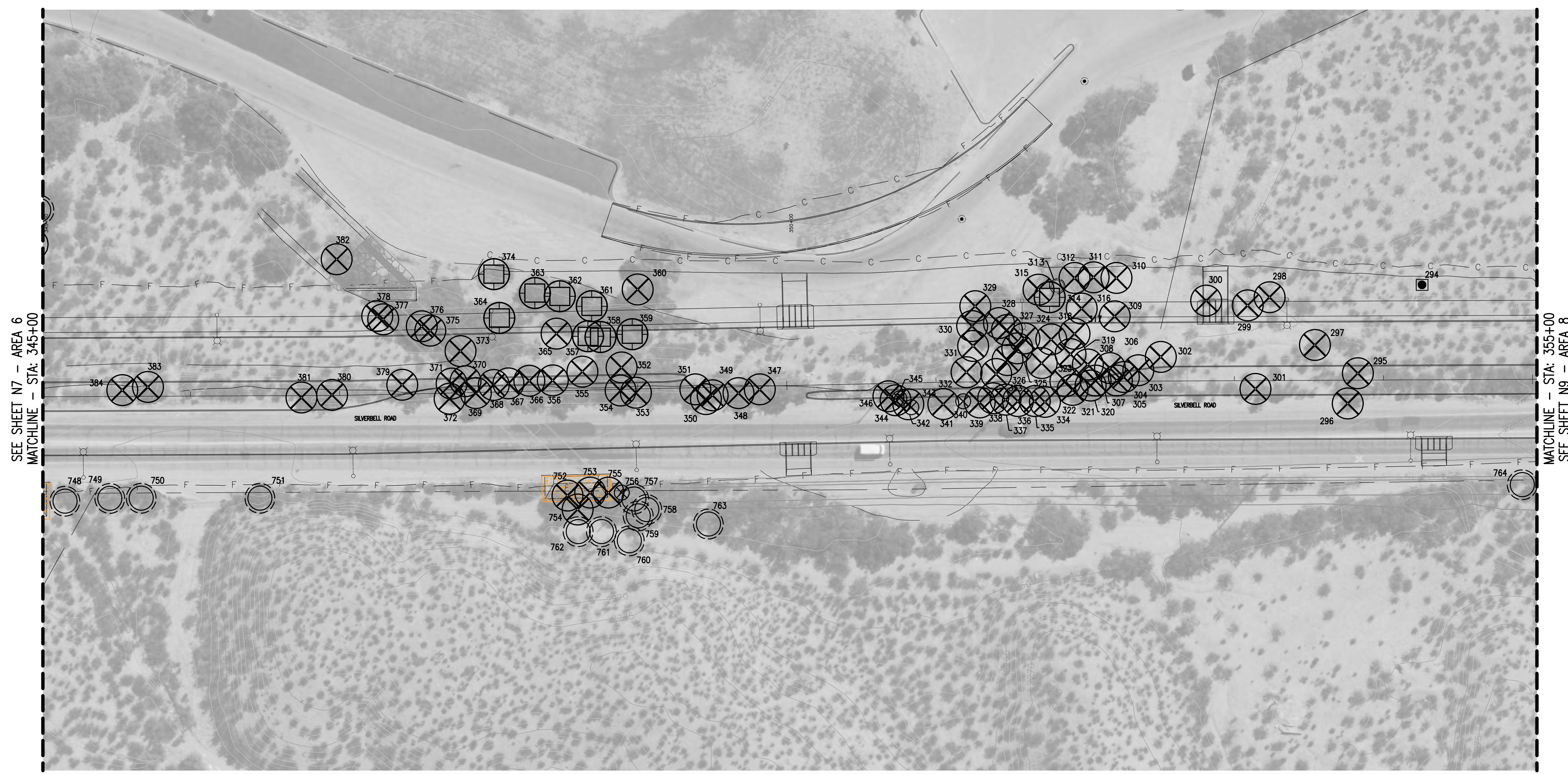
DATE\$
FILE\$

DRWN. BY SM 2018 DSGN. BY SM 2018 CHKD. BY SM 2018



- NOTES:
1. NATIVE PLANT INVENTORY COMPLETED IN JULY 2016
 2. TREES AND SHRUBS TO BE TRANSPLANTED USING SPADING TECHNIQUES AND MOVED TO A PERMANENT LOCATION ALONG SILVERBELL ROAD SOUTH OF GRANT ROAD. TRANSPLANT LOCATIONS TO BE IDENTIFIED BY THE PROJECT ENGINEER.
 3. CACTI SHALL BE BARE ROOT TRANSPLANTED, STORED IN AN ON SITE HOLDING NURSERY DURING CONSTRUCTION AND PLANTED WITHIN THE PROJECT LIMIT AT THE END OF CONSTRUCTION. SEE LANDSCAPE PLANS FOR FINAL LOCATIONS.

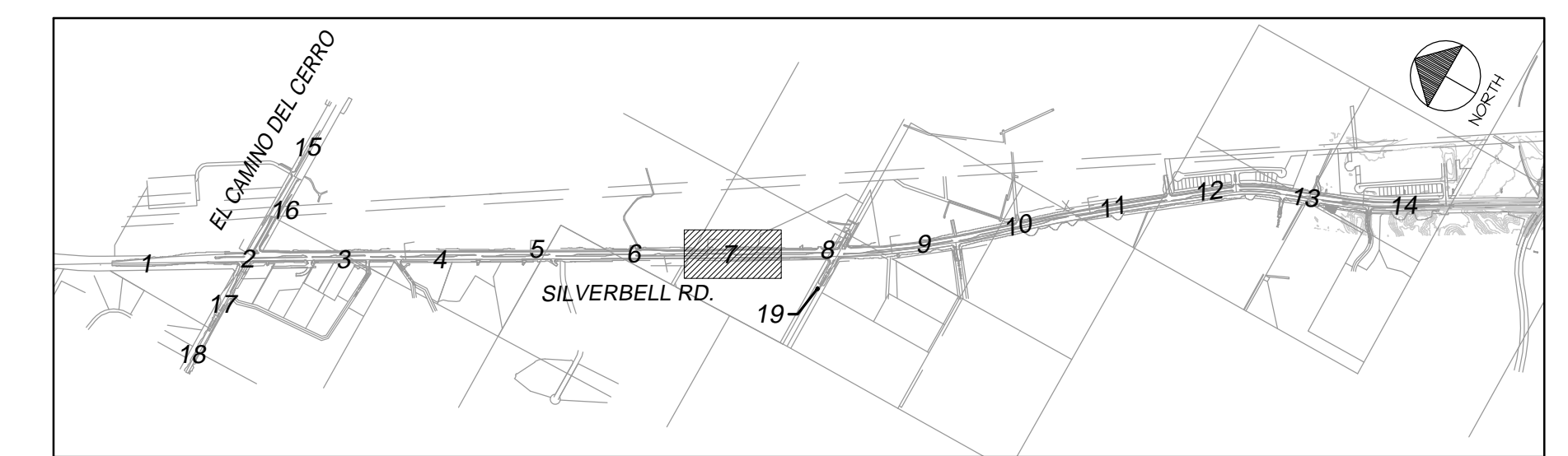
SYMBOL LEGEND AND KEY			
PLANT	PRESERVE IN PLACE	TRANSPLANT ON-SITE	REMOVE FROM SITE
TREE			
SHRUB			
CACTUS			



SEE SHEET N7 - AREA 6
MATCHLINE - STA: 345+00

MATCHLINE - STA: 355+00
SEE SHEET N9 - AREA 8

NATIVE PLANT PRESERVATION PLAN - AREA 7 - STA: 345+00 TO STA: 355+00
SCALE: 1" = 40'-0"



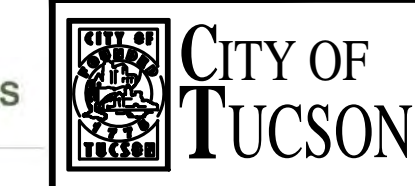
AREA KEY MAP
SCALE: N.T.S.

N8 OF N23

DEPARTMENT OF TRANSPORTATION/ENGINEERING DIVISION

SILVERBELL ROAD
EL CAMINO DEL CERRO TO GORET ROAD
N8 NATIVE PLANT PRESERVATION PLAN - AREA 7

McGann & Associates
Landscape Architects and Planners
8814 North Oracle Road, Suite 210, Tucson, AZ 85704



PRELIMINARY
100%
REVIEW
NOT FOR
CONSTRUCTION
OR RECORDING

NO.	DATE	REVISION	BY	CHKD.	APPR.

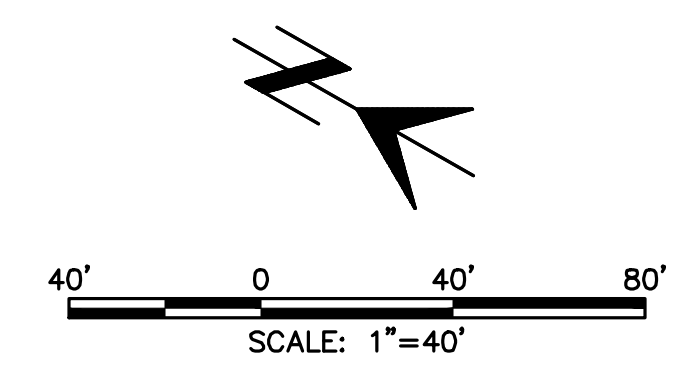
Approvals	Signatory	Date

Approved _____ 20__ 187 OF 446
TRANSPORTATION DIRECTOR
REF. _____ SCALE: 1" = 40'
PLAN NO. _____

Two working days before you dig
CALL FOR THE BLUE STAKES
1-800-782-5348

DATE\$
FILE\$

DRWN. BY SM 2018 DSGN. BY SM 2018 CHKD. BY SM 2018



- NOTES:
1. NATIVE PLANT INVENTORY COMPLETED IN JULY 2016
 2. TREES AND SHRUBS TO BE TRANSPLANTED USING SPADING TECHNIQUES AND MOVED TO A PERMANENT LOCATION ALONG SILVERBELL ROAD SOUTH OF GRANT ROAD. TRANSPLANT LOCATIONS TO BE IDENTIFIED BY THE PROJECT ENGINEER.
 3. CACTI SHALL BE BARE ROOT TRANSPLANTED, STORED IN AN ON SITE HOLDING NURSERY DURING CONSTRUCTION AND PLANTED WITHIN THE PROJECT LIMIT AT THE END OF CONSTRUCTION. SEE LANDSCAPE PLANS FOR FINAL LOCATIONS.

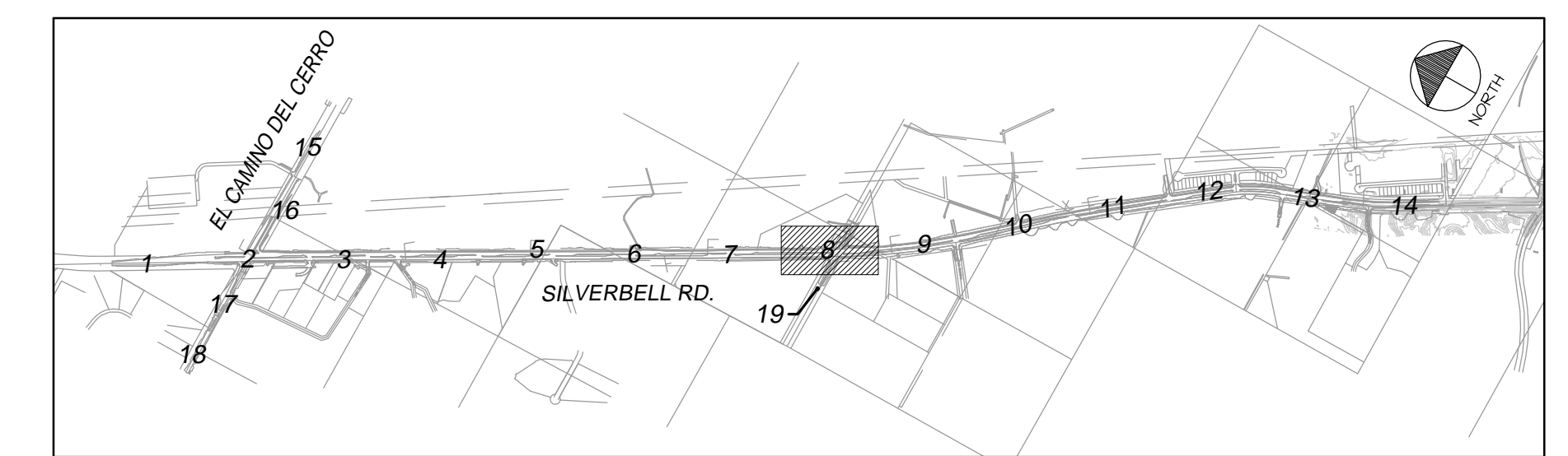
SYMBOL LEGEND AND KEY			
PLANT	PRESERVE IN PLACE	TRANSPLANT ON-SITE	REMOVE FROM SITE
TREE			
SHRUB			
CACTUS			

SEE SHEET N8 - AREA 7
MATCHLINE - STA: 355+00

SEE SHEET N10 - AREA 9
MATCHLINE - STA: 365+00

MATCHLINE - SEE SHEET N19 - AREA 19

NATIVE PLANT PRESERVATION PLAN - AREA 8 - STA: 355+00 TO STA: 365+00
SCALE: 1" = 40'-0"



AREA KEY MAP
SCALE: N.T.S.

N9 OF N23

DEPARTMENT OF TRANSPORTATION/ENGINEERING DIVISION

SILVERBELL ROAD
EL CAMINO DEL CERRO TO GORET ROAD
N9 NATIVE PLANT PRESERVATION PLAN - AREA 8

NO.	DATE	REVISION	BY	CHKD.	APPR.

PRELIMINARY
100%
REVIEW
NOT FOR
CONSTRUCTION
OR RECORDING

Approvals	Signatory	Date

Approved _____ 20__ 188 OF 446
TRANSPORTATION DIRECTOR
REF. _____ SCALE: 1" = 40'
PLAN NO. _____

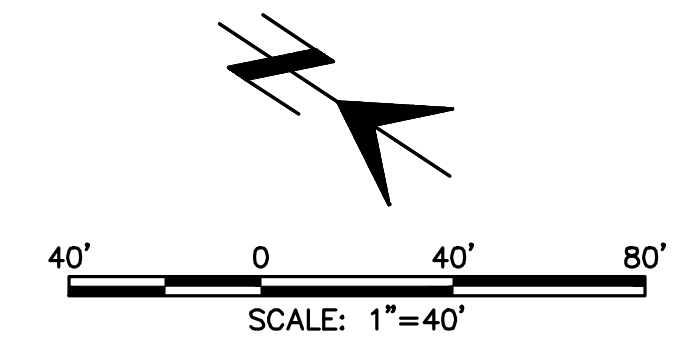
Two working days before you dig
CALL FOR THE BLUE STAKES
1-800-782-5348

DATE\$
FILE\$

McGann & Associates
Landscape Architects and Planners
8814 North Oracle Road, Suite 210, Tucson, AZ 85718



DRWN. BY SM 2018 DSGN. BY SM 2018 CHKD. BY SM 2018

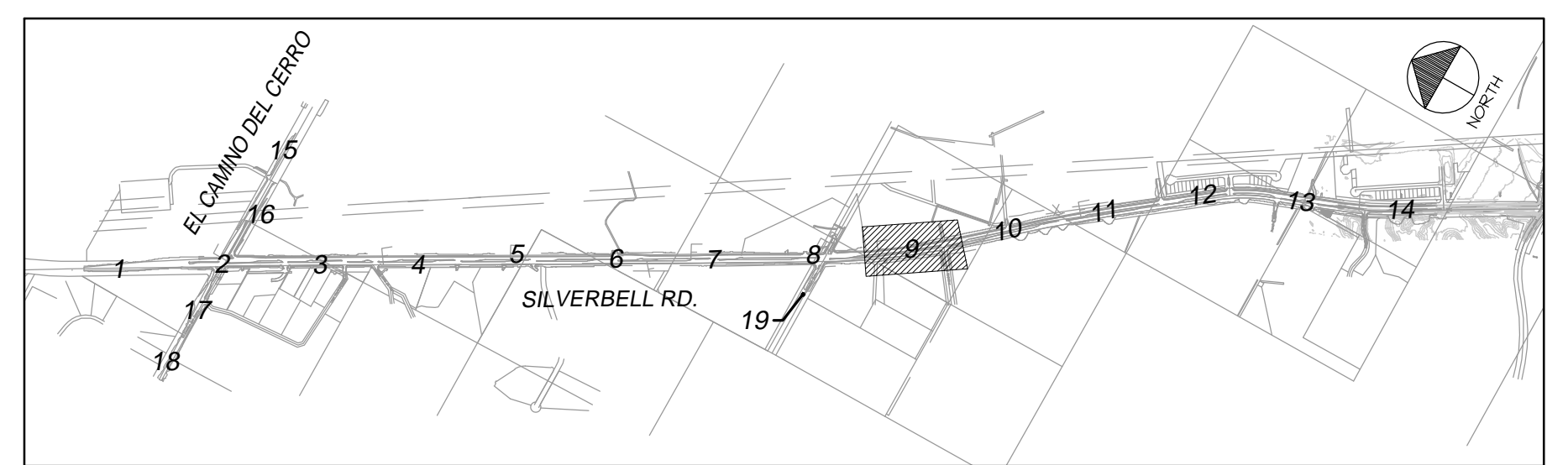


- NOTES:
1. NATIVE PLANT INVENTORY COMPLETED IN JULY 2016
 2. TREES AND SHRUBS TO BE TRANSPLANTED USING SPADING TECHNIQUES AND MOVED TO A PERMANENT LOCATION ALONG SILVERBELL ROAD SOUTH OF GRANT ROAD. TRANSPLANT LOCATIONS TO BE IDENTIFIED BY THE PROJECT ENGINEER.
 3. CACTI SHALL BE BARE ROOT TRANSPLANTED, STORED IN AN ON SITE HOLDING NURSERY DURING CONSTRUCTION AND PLANTED WITHIN THE PROJECT LIMIT AT THE END OF CONSTRUCTION. SEE LANDSCAPE PLANS FOR FINAL LOCATIONS.

SYMBOL LEGEND AND KEY			
PLANT	PRESERVE IN PLACE	TRANSPLANT ON-SITE	REMOVE FROM SITE
TREE			
SHRUB			
CACTUS			



NATIVE PLANT PRESERVATION PLAN – AREA 9 – STA: 365+00 TO STA: 375+00
SCALE: 1" = 40'-0"



AREA KEY MAP
SCALE: N.T.S.

N10 OF N23

DEPARTMENT OF TRANSPORTATION/ENGINEERING DIVISION

SILVERBELL ROAD
EL CAMINO DEL CERRO TO GORET ROAD
N10 NATIVE PLANT PRESERVATION PLAN – AREA 9

Approvals	Signatory	Date	Approved _____ 20__
			189
			OF
			446
TRANSPORTATION DIRECTOR			
REF. _____			
SCALE: 1" = 40'			
PLAN NO. _____			

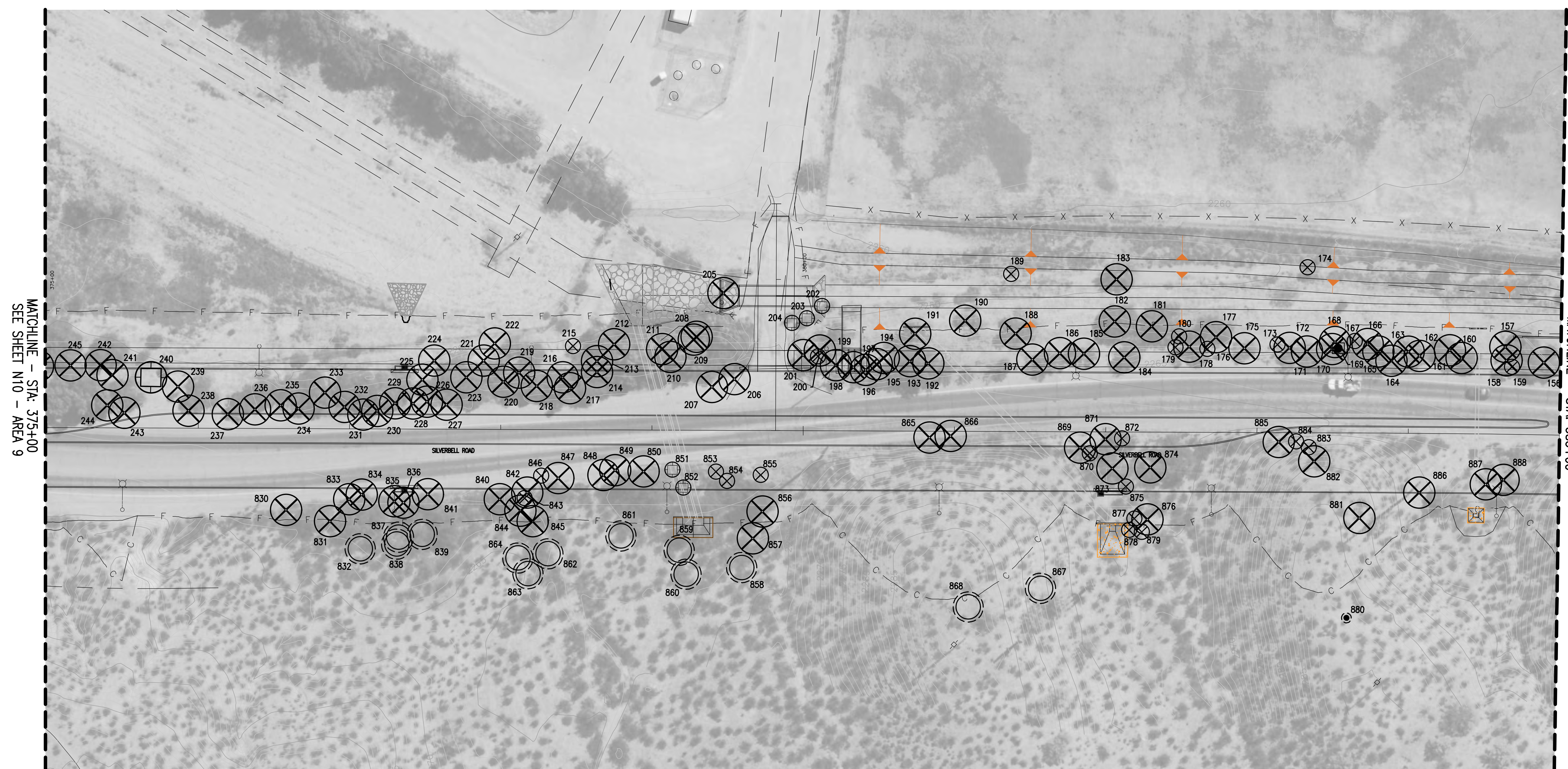
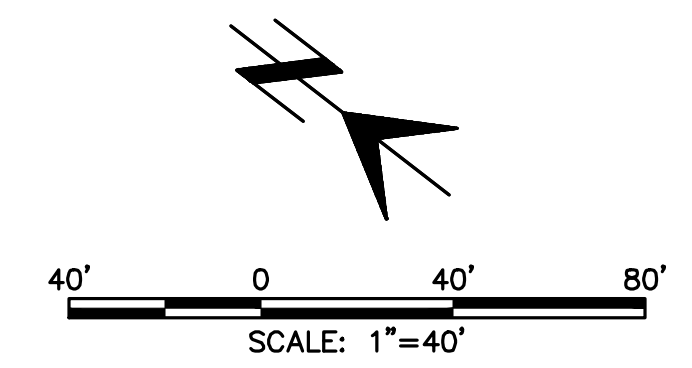
CITY OF TUCSON
PRELIMINARY
100%
REVIEW
NOT FOR
CONSTRUCTION
OR RECORDING

McGann & Associates
Landscape Architects and Planners
8814 North Oracle Road, Suite 210, Tucson, AZ 85704

NO.	DATE	REVISION	BY	CHKD.	APPR.

Two working days before you dig,
CALL FOR THE BLUE STAKES
1-800-782-5348

DATE\$
FILE\$



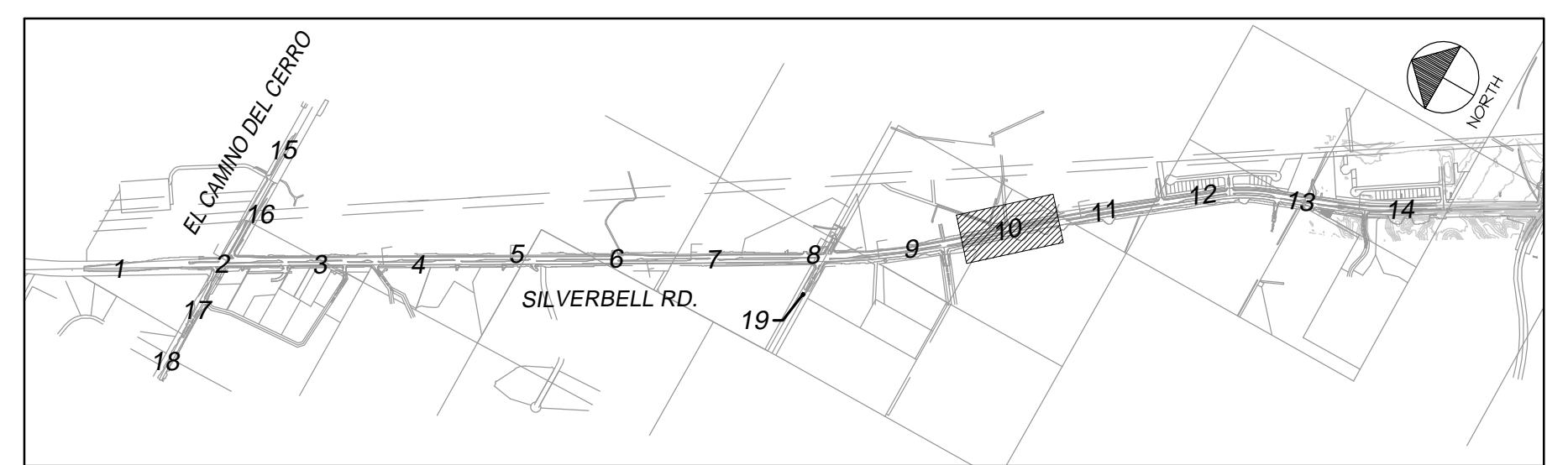
- NOTES:
1. NATIVE PLANT INVENTORY COMPLETED IN JULY 2016
 2. TREES AND SHRUBS TO BE TRANSPLANTED USING SPADING TECHNIQUES AND MOVED TO A PERMANENT LOCATION ALONG SILVERBELL ROAD SOUTH OF GRANT ROAD. TRANSPLANT LOCATIONS TO BE IDENTIFIED BY THE PROJECT ENGINEER.
 3. CACTI SHALL BE BARE ROOT TRANSPLANTED, STORED IN AN ON SITE HOLDING NURSERY DURING CONSTRUCTION AND PLANTED WITHIN THE PROJECT LIMIT AT THE END OF CONSTRUCTION. SEE LANDSCAPE PLANS FOR FINAL LOCATIONS.

SYMBOL LEGEND AND KEY			
PLANT	PRESERVE IN PLACE	TRANSPLANT ON-SITE	REMOVE FROM SITE
TREE			
SHRUB			
CACTUS			

MATCHLINE - STA: 375+00
SEE SHEET N10 - AREA 9

MATCHLINE - STA: 385+00
SEE SHEET N12 - AREA 11

NATIVE PLANT PRESERVATION PLAN – AREA 10 – STA: 375+00 TO STA: 385+00
SCALE: 1" = 40'-0"



AREA KEY MAP
SCALE: N.T.S.

N11 OF N23

DATE\$
FILE\$

Two working days before you dig,
CALL FOR THE BLUE STAKES
1-800-782-5348

NO.	DATE	REVISION	BY	CHKD.	APPR.

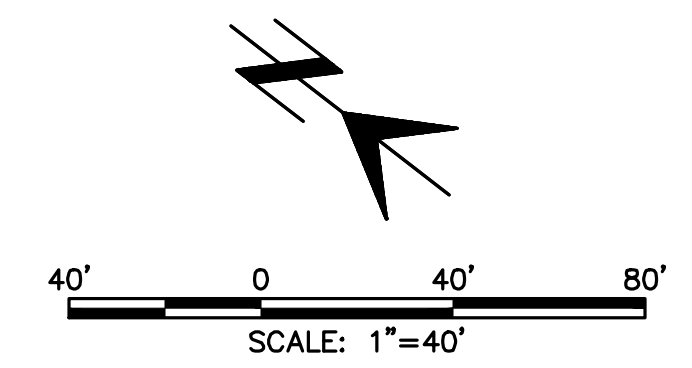
McGann & Associates
Landscape Architects and Planners
8814 North Oracle Road, Suite 210, Tucson AZ 85718

CITY OF
TUCSON

PRELIMINARY
100%
REVIEW
NOT FOR
CONSTRUCTION
OR RECORDING

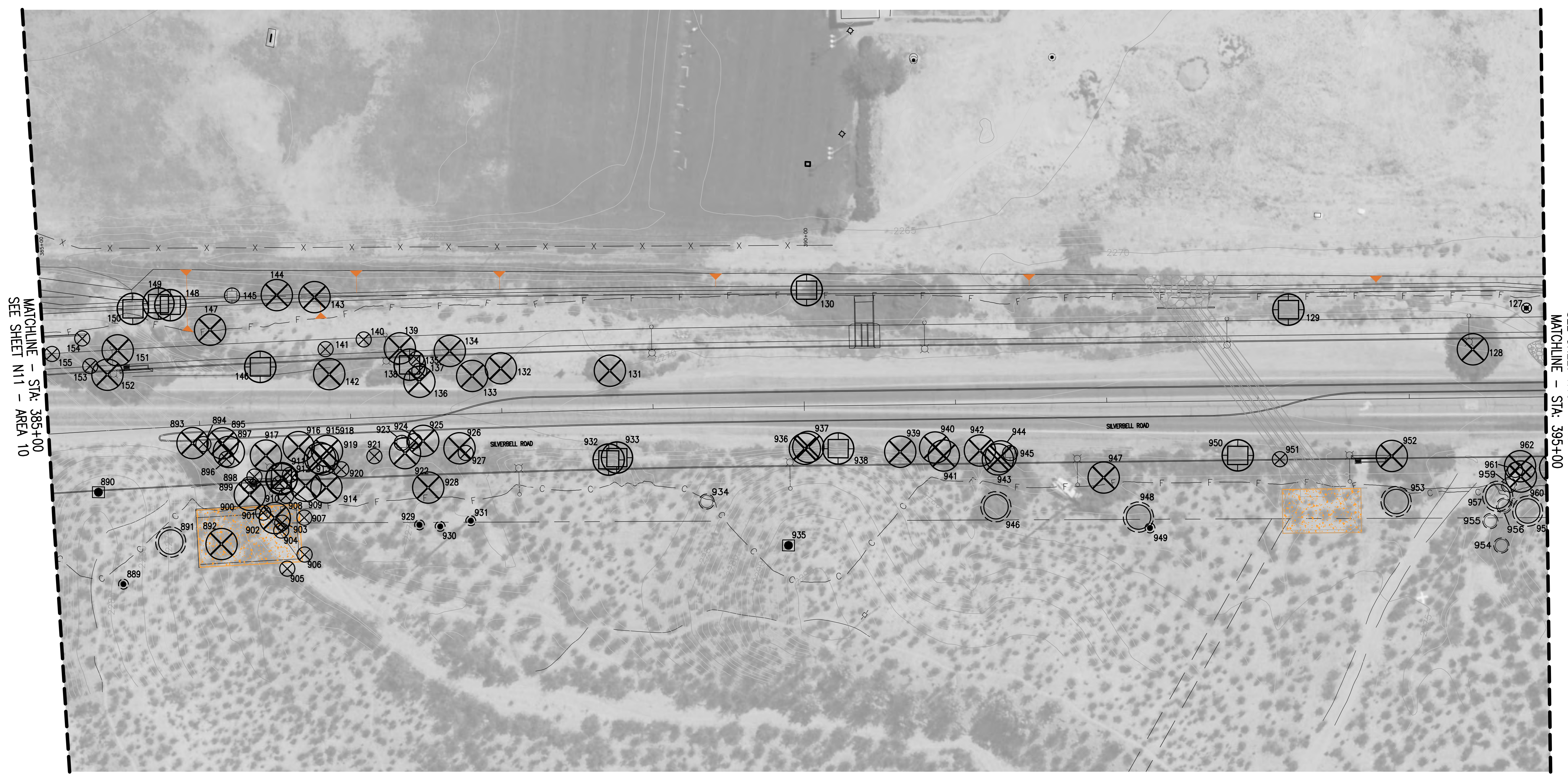
DEPARTMENT OF TRANSPORTATION/ENGINEERING DIVISION			
SILVERBELL ROAD EL CAMINO DEL CERRO TO GORET ROAD N11 NATIVE PLANT PRESERVATION PLAN – AREA 10			
Approvals	Signatory	Date	
			Approved _____ 20__
			TRANSPORTATION DIRECTOR
			REF. _____ SCALE: 1" = 40'
			PLAN NO. _____

190
OF
446



- NOTES:
1. NATIVE PLANT INVENTORY COMPLETED IN JULY 2016
 2. TREES AND SHRUBS TO BE TRANSPLANTED USING SPADING TECHNIQUES AND MOVED TO A PERMANENT LOCATION ALONG SILVERBELL ROAD SOUTH OF GRANT ROAD. TRANSPLANT LOCATIONS TO BE IDENTIFIED BY THE PROJECT ENGINEER.
 3. CACTI SHALL BE BARE ROOT TRANSPLANTED, STORED IN AN ON SITE HOLDING NURSERY DURING CONSTRUCTION AND PLANTED WITHIN THE PROJECT LIMIT AT THE END OF CONSTRUCTION. SEE LANDSCAPE PLANS FOR FINAL LOCATIONS.

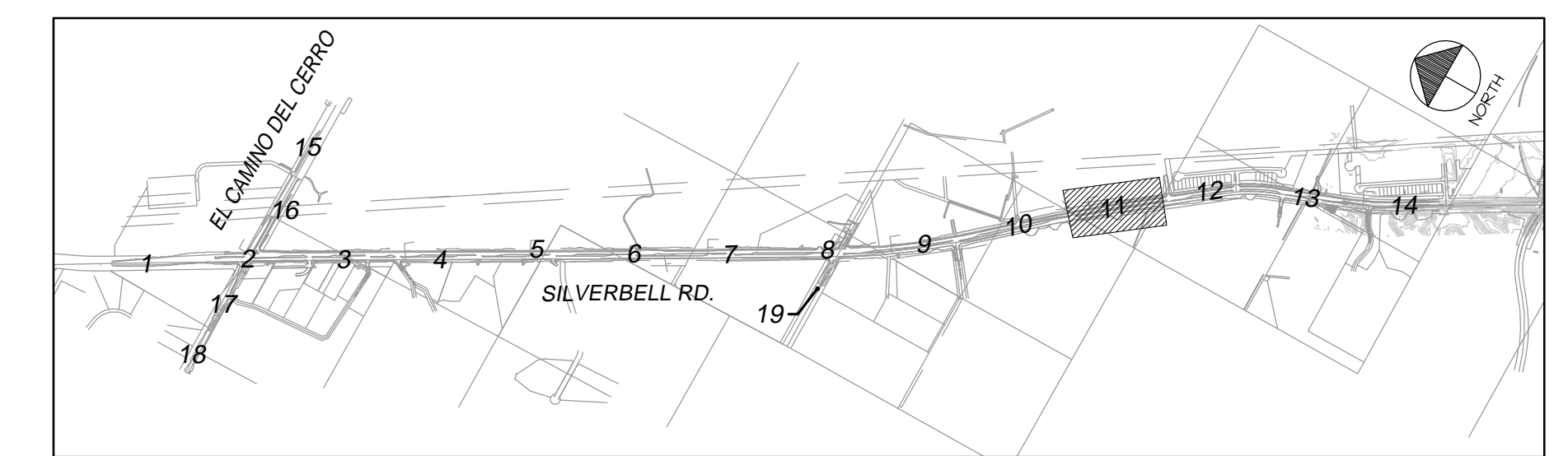
SYMBOL LEGEND AND KEY			
PLANT	PRESERVE IN PLACE	TRANSPLANT ON-SITE	REMOVE FROM SITE
TREE			
SHRUB			
CACTUS			



MATCHLINE - STA: 385+00
SEE SHEET N11 - AREA 10

MATCHLINE - STA: 395+00
SEE SHEET N13 - AREA 12

NATIVE PLANT PRESERVATION PLAN - AREA 11 - STA: 385+00 TO STA: 395+00
SCALE: 1" = 40'-0"



AREA KEY MAP
SCALE: N.T.S.

N12 OF N23

DEPARTMENT OF TRANSPORTATION/ENGINEERING DIVISION

SILVERBELL ROAD
EL CAMINO DEL CERRO TO GORET ROAD
N12 NATIVE PLANT PRESERVATION PLAN - AREA 11

NO.	DATE	REVISION	BY	CHKD.	APPR.

PRELIMINARY
100%
REVIEW
NOT FOR
CONSTRUCTION
OR RECORDING

Approvals	Signatory	Date	Approved
			20

TRANSPORTATION DIRECTOR

REF. _____ SCALE: 1" = 40'

PLAN NO. _____

191
OF
446

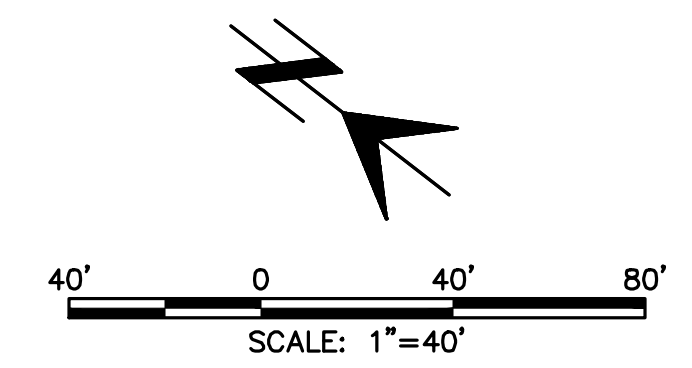
Two working days before you dig,
CALL FOR THE BLUE STAKES
1-800-782-5348

DATE\$
FILE\$

McGann & Associates
Landscape Architects and Planners
8814 North Oracle Road, Suite 210, Tucson AZ 85718

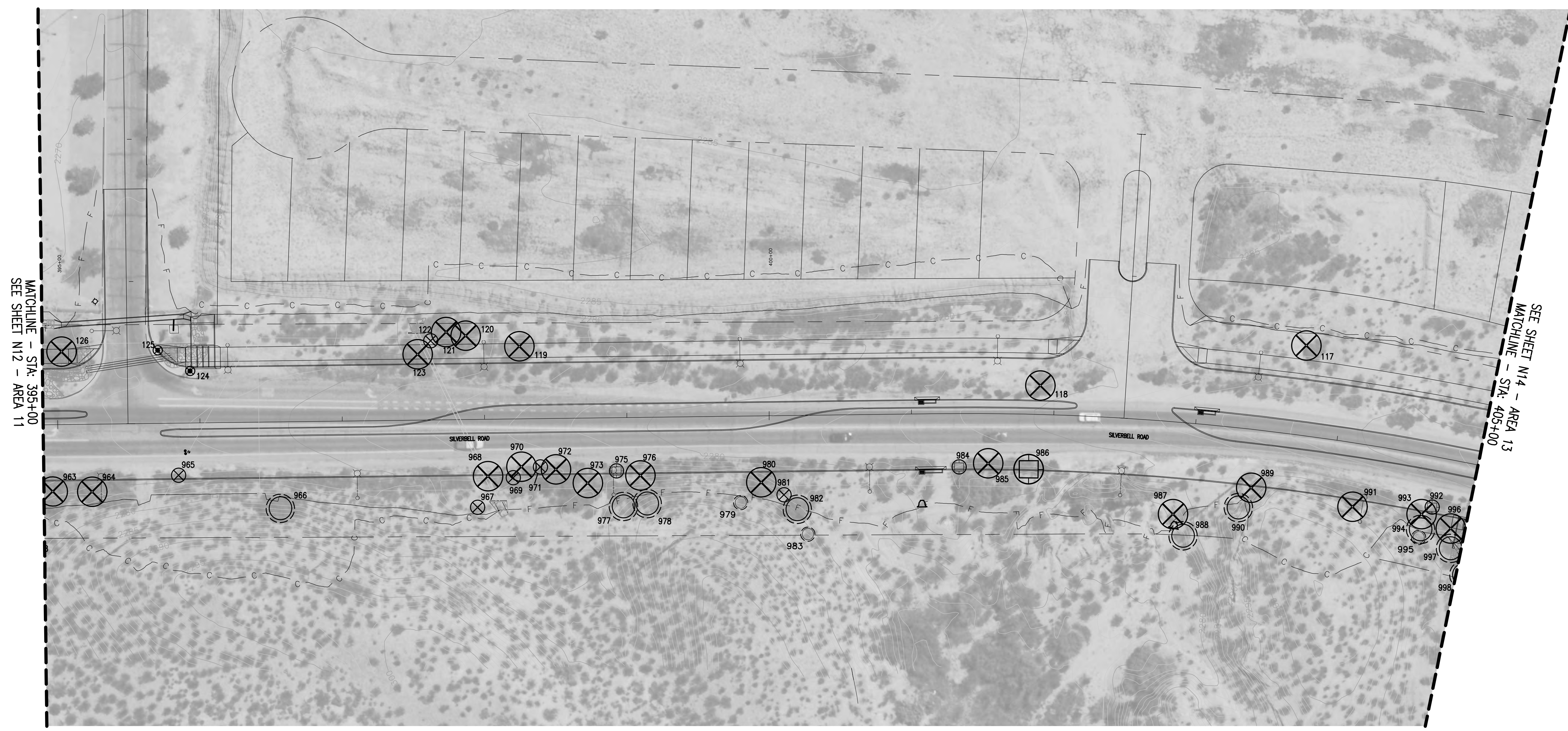


DRWN. BY 2018 DSGN. BY 2018 CHKD. BY 2018

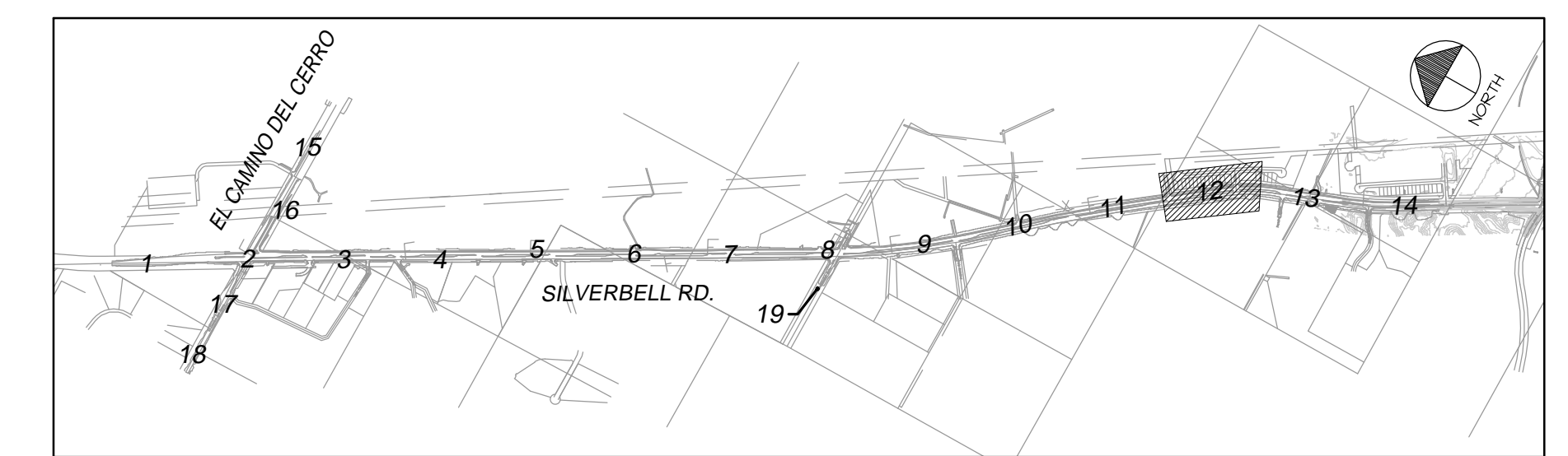


- NOTES:
1. NATIVE PLANT INVENTORY COMPLETED IN JULY 2016
 2. TREES AND SHRUBS TO BE TRANSPLANTED USING SPADING TECHNIQUES AND MOVED TO A PERMANENT LOCATION ALONG SILVERBELL ROAD SOUTH OF GRANT ROAD. TRANSPLANT LOCATIONS TO BE IDENTIFIED BY THE PROJECT ENGINEER.
 3. CACTI SHALL BE BARE ROOT TRANSPLANTED, STORED IN AN ON SITE HOLDING NURSERY DURING CONSTRUCTION AND PLANTED WITHIN THE PROJECT LIMIT AT THE END OF CONSTRUCTION. SEE LANDSCAPE PLANS FOR FINAL LOCATIONS.

SYMBOL LEGEND AND KEY			
PLANT	PRESERVE IN PLACE	TRANSPLANT ON-SITE	REMOVE FROM SITE
TREE			
SHRUB			
CACTUS			



NATIVE PLANT PRESERVATION PLAN – AREA 12 – STA: 395+00 TO STA: 405+00
SCALE: 1" = 40'-0"



AREA KEY MAP
SCALE: N.T.S.

N13 OF N23

DEPARTMENT OF TRANSPORTATION/ENGINEERING DIVISION

SILVERBELL ROAD
EL CAMINO DEL CERRO TO GORET ROAD
N13 NATIVE PLANT PRESERVATION PLAN – AREA 12

NO.	DATE	REVISION	BY	CHKD.	APPR.

PRELIMINARY
100%
REVIEW
NOT FOR
CONSTRUCTION
OR RECORDING

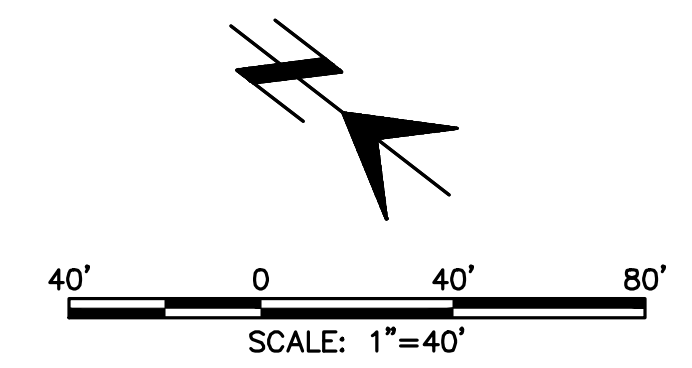
Approvals	Signatory	Date

Approved _____ 20__ 192 OF 446
TRANSPORTATION DIRECTOR
REF. _____ SCALE: 1" = 40'
PLAN NO. _____

DRWN. BY 2018 DSGN. BY 2018 CHKD. BY 2018

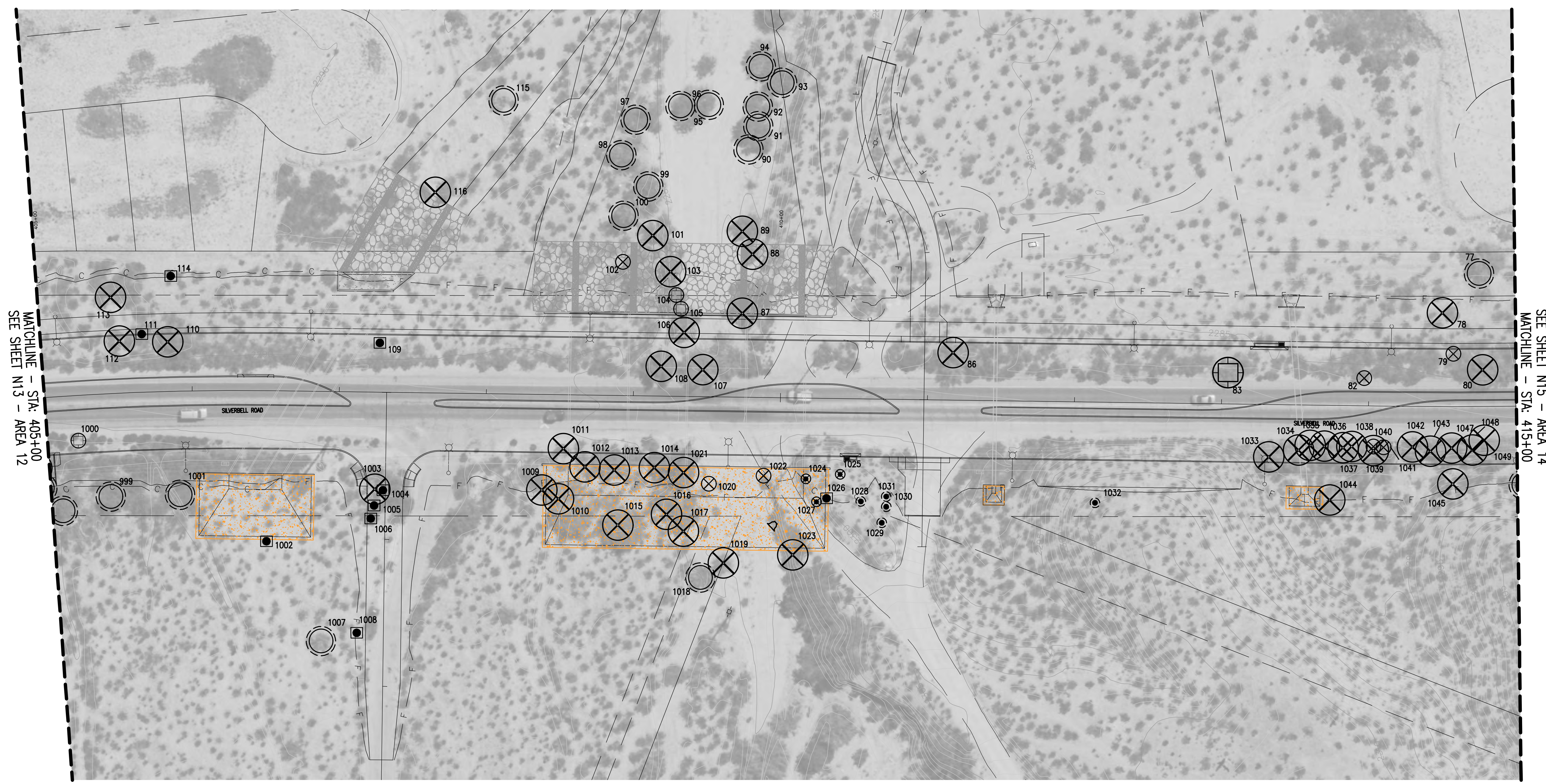
Two working days before you dig,
CALL FOR THE BLUE STAKES
1-800-782-5348

DATE\$
FILE\$

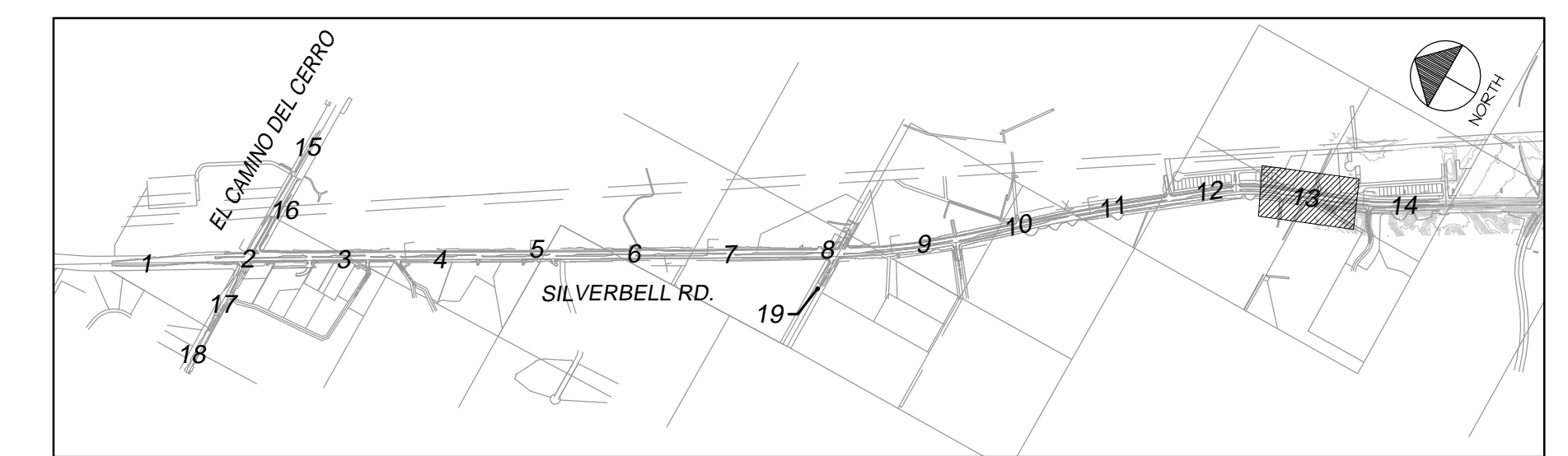


- NOTES:
1. NATIVE PLANT INVENTORY COMPLETED IN JULY 2016
 2. TREES AND SHRUBS TO BE TRANSPLANTED USING SPADING TECHNIQUES AND MOVED TO A PERMANENT LOCATION ALONG SILVERBELL ROAD SOUTH OF GRANT ROAD. TRANSPLANT LOCATIONS TO BE IDENTIFIED BY THE PROJECT ENGINEER.
 3. CACTI SHALL BE BARE ROOT TRANSPLANTED, STORED IN AN ON SITE HOLDING NURSERY DURING CONSTRUCTION AND PLANTED WITHIN THE PROJECT LIMIT AT THE END OF CONSTRUCTION. SEE LANDSCAPE PLANS FOR FINAL LOCATIONS.

SYMBOL LEGEND AND KEY			
PLANT	PRESERVE IN PLACE	TRANSPLANT ON-SITE	REMOVE FROM SITE
TREE			
SHRUB			
CACTUS			



NATIVE PLANT PRESERVATION PLAN – AREA 13 – STA: 405+00 TO STA: 415+00
SCALE: 1" = 40'-0"



AREA KEY MAP
SCALE: N.T.S.

N14 OF N23

DEPARTMENT OF TRANSPORTATION/ENGINEERING DIVISION

SILVERBELL ROAD
EL CAMINO DEL CERRO TO GORET ROAD
N14 NATIVE PLANT PRESERVATION PLAN – AREA 13

NO.	DATE	REVISION	BY	CHKD.	APPR.

McGann & Associates
Landscape Architects and Planners
8814 North Oracle Road, Suite 210, Tucson, AZ 85718

CITY OF TUCSON

PRELIMINARY
100%
REVIEW
NOT FOR
CONSTRUCTION
OR RECORDING

Approvals	Signatory	Date	Approved	20

TRANSPORTATION DIRECTOR

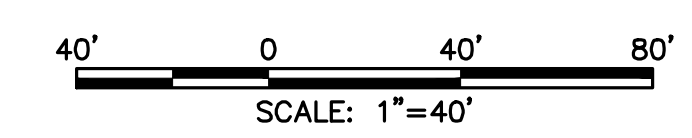
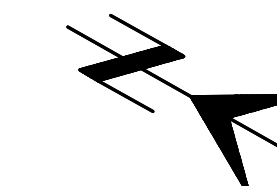
REF. _____ SCALE: 1" = 40'

PLAN NO. _____

193
OF
446

Two working days before you dig,
CALL FOR THE BLUE STAKES
1-800-782-5348

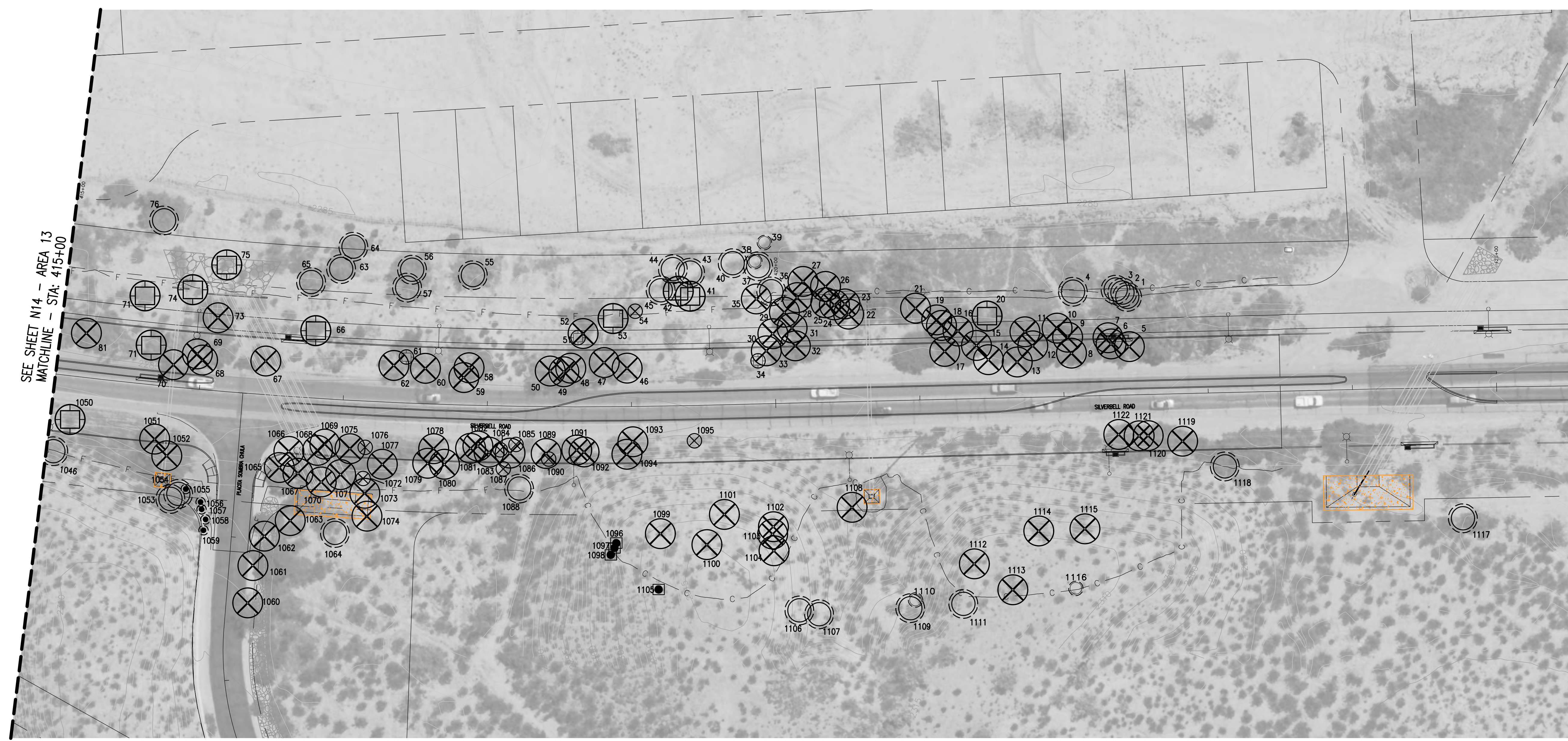
DATE\$
FILE\$



- NOTES:
1. NATIVE PLANT INVENTORY COMPLETED IN JULY 2016
 2. TREES AND SHRUBS TO BE TRANSPLANTED USING SPADING TECHNIQUES AND MOVED TO A PERMANENT LOCATION ALONG SILVERBELL ROAD SOUTH OF GRANT ROAD. TRANSPLANT LOCATIONS TO BE IDENTIFIED BY THE PROJECT ENGINEER.
 3. CACTI SHALL BE BARE ROOT TRANSPLANTED, STORED IN AN ON SITE HOLDING NURSERY DURING CONSTRUCTION AND PLANTED WITHIN THE PROJECT LIMIT AT THE END OF CONSTRUCTION. SEE LANDSCAPE PLANS FOR FINAL LOCATIONS.

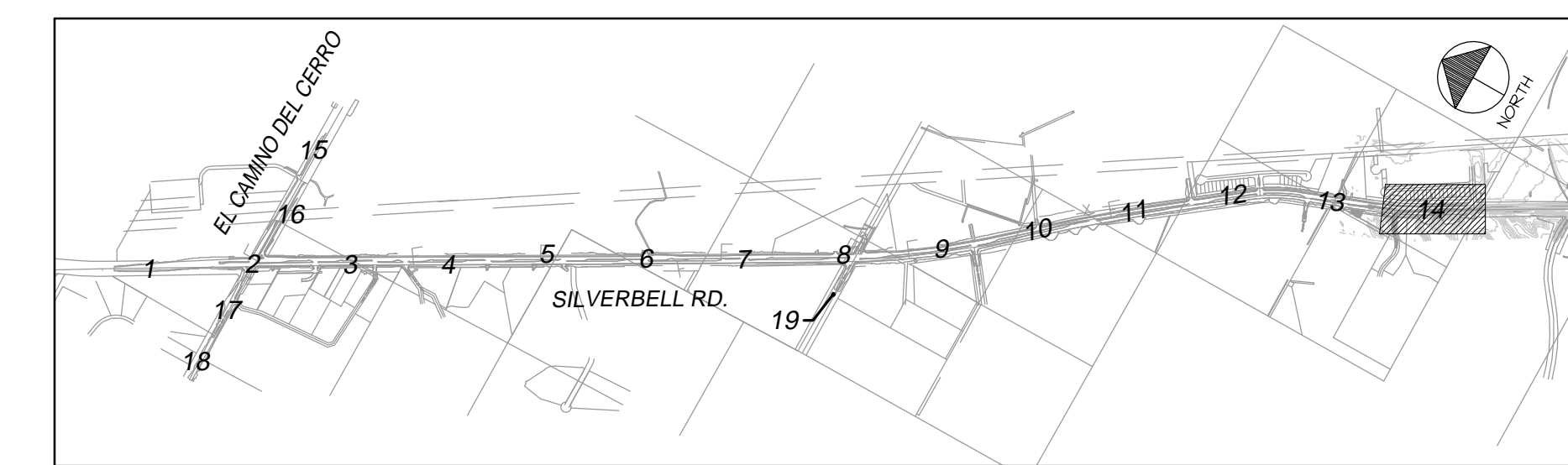
END OF PROJECT
STA: 425+00

SYMBOL LEGEND AND KEY			
PLANT	PRESERVE IN PLACE	TRANSPLANT ON-SITE	REMOVE FROM SITE
TREE			
SHRUB			
CACTUS			



SEE SHEET N14 - AREA 13
MATCHLINE - STA: 415+00

NATIVE PLANT PRESERVATION PLAN - AREA 14 - STA: 415+00 TO END OF PROJECT
SCALE: 1" = 40'-0"



AREA KEY MAP
SCALE: N.T.S.

N15 OF N23

DEPARTMENT OF TRANSPORTATION/ENGINEERING DIVISION

SILVERBELL ROAD
EL CAMINO DEL CERRO TO GORET ROAD^{N15}
N15 NATIVE PLANT PRESERVATION PLAN - AREA 14

NO.	DATE	REVISION	BY	CHKD.	APPR.

PRELIMINARY
100%
REVIEW
NOT FOR
CONSTRUCTION
OR RECORDING

Approvals	Signatory	Date

Approved _____ 20__
TRANSPORTATION DIRECTOR

REF. _____ SCALE: 1" = 40'
PLAN NO. _____

194
OF
446

Two working days before you dig,
CALL FOR THE BLUE STAKES
1-800-782-5348

DATE\$
FILE\$

McGann & Associates
Landscape Architects and Planners
804 North Oracle Road, Suite 210, Tucson, AZ 85704



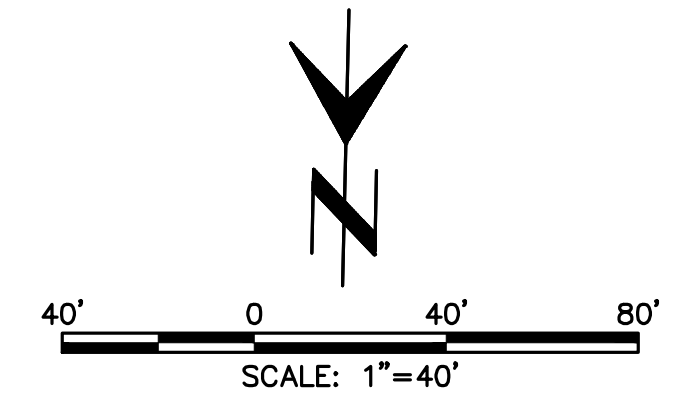
DRWN. BY SM 2018 DSGN. BY SM 2018 CHKD. BY SM 2018



SEE SHEET N1 - AREA 1
BEGIN PROJECT - STA: 35+00

MATCHLINE - STA: 40+00
SEE SHEET N17 - AREA 16

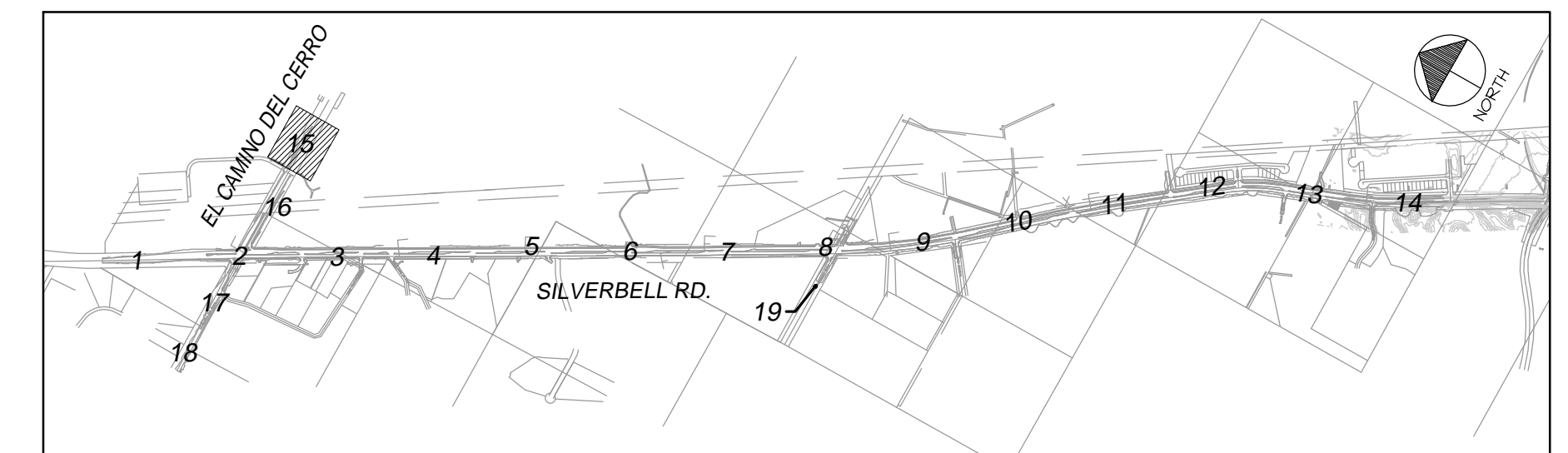
NATIVE PLANT PRESERVATION PLAN - AREA 15 - BEGINNING OF PROJECT TO STA: 40+00 - EL CAMINO DEL CERRO
SCALE: 1" = 40'-0"



NOTES:

1. NATIVE PLANT INVENTORY COMPLETED IN JULY 2016
2. TREES AND SHRUBS TO BE TRANSPLANTED USING SPADING TECHNIQUES AND MOVED TO A PERMANENT LOCATION ALONG SILVERBELL ROAD SOUTH OF GRANT ROAD. TRANSPLANT LOCATIONS TO BE IDENTIFIED BY THE PROJECT ENGINEER.
3. CACTI SHALL BE BARE ROOT TRANSPLANTED, STORED IN AN ON SITE HOLDING NURSERY DURING CONSTRUCTION AND PLANTED WITHIN THE PROJECT LIMIT AT THE END OF CONSTRUCTION. SEE LANDSCAPE PLANS FOR FINAL LOCATIONS.

SYMBOL LEGEND AND KEY			
PLANT	PRESERVE IN PLACE	TRANSPLANT ON-SITE	REMOVE FROM SITE
TREE			
SHRUB			
CACTUS			



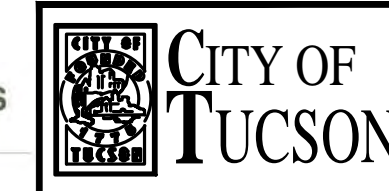
AREA KEY MAP
SCALE: N.T.S.

N16 OF N23

DEPARTMENT OF TRANSPORTATION/ENGINEERING DIVISION

SILVERBELL ROAD
EL CAMINO DEL CERRO TO GORET ROAD
N16 NATIVE PLANT PRESERVATION PLAN - AREA 15

Approvals	Signatory	Date	Approved _____ 20__	195 OF 446
			TRANSPORTATION DIRECTOR	
REF. _____			SCALE: 1" = 40'	
PLAN NO. _____				



McGann & Associates
Landscape Architects and Planners
8814 North Oracle Road, Suite 270, Tucson, AZ 85718

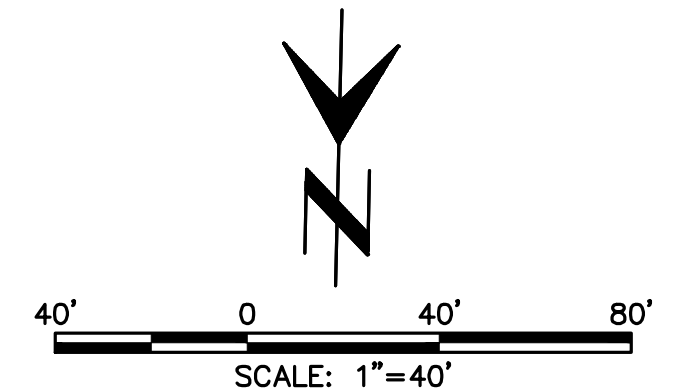
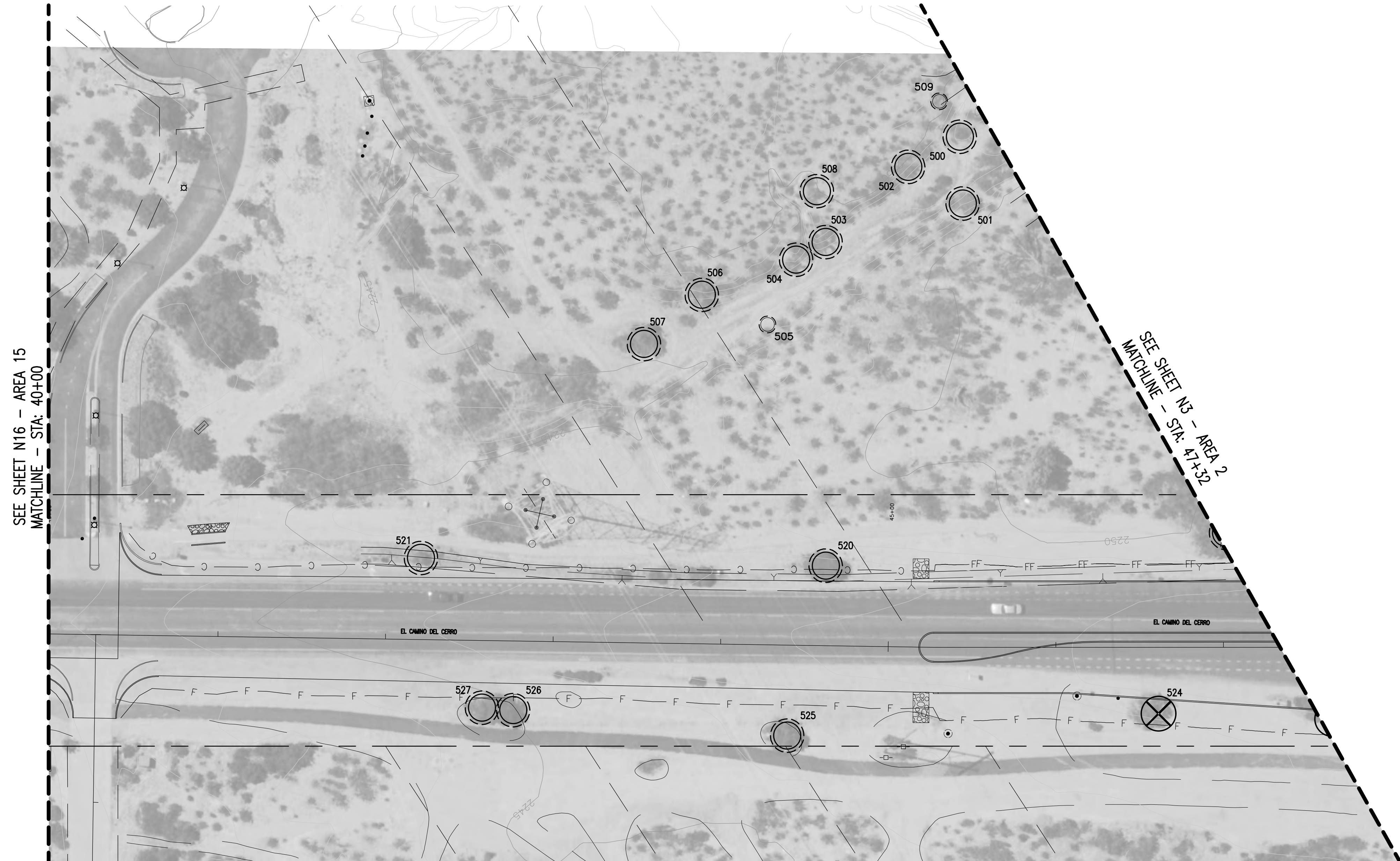
PRELIMINARY
100%
REVIEW
NOT FOR
CONSTRUCTION
OR RECORDING

NO.	DATE	REVISION	BY	CHKD.	APPR.

Two working days before you dig,
CALL FOR THE BLUE STAKES
1-800-782-5348

\$\$\$DATE\$\$\$
\$\$\$FILE\$\$\$

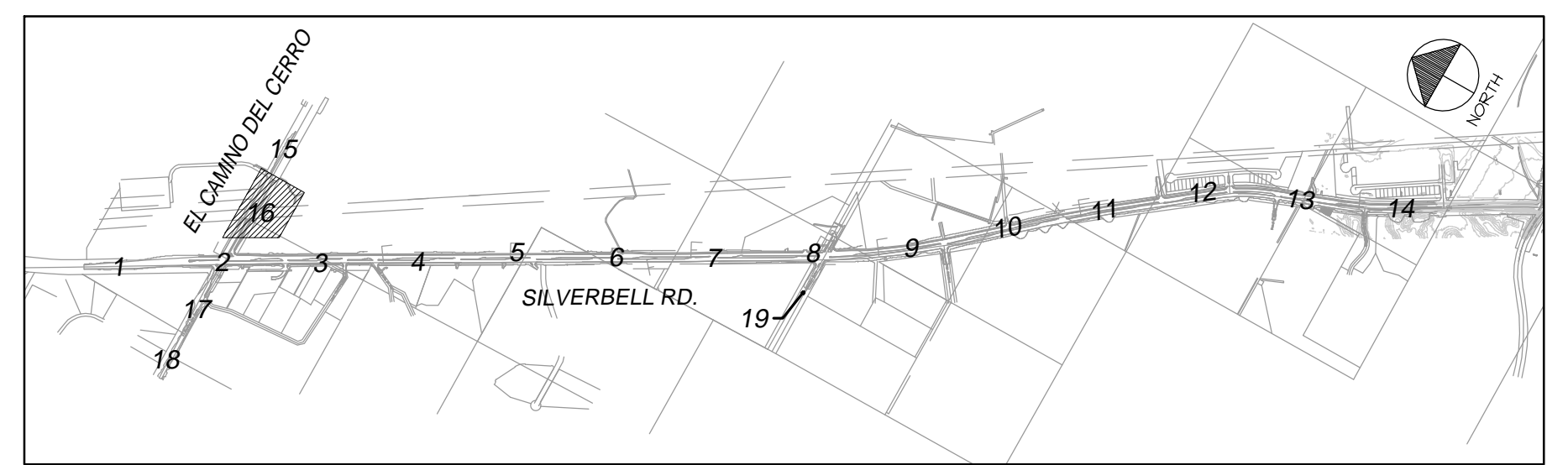
DRWN. BY EM/OM 2018 DSGN. BY SM 2018 CHKD. BY SM 2018



- NOTES:
1. NATIVE PLANT INVENTORY COMPLETED IN JULY 2016
 2. TREES AND SHRUBS TO BE TRANSPLANTED USING SPADING TECHNIQUES AND MOVED TO A PERMANENT LOCATION ALONG SILVERBELL ROAD SOUTH OF GRANT ROAD. TRANSPLANT LOCATIONS TO BE IDENTIFIED BY THE PROJECT ENGINEER.
 3. CACTI SHALL BE BARE ROOT TRANSPLANTED, STORED IN AN ON SITE HOLDING NURSERY DURING CONSTRUCTION AND PLANTED WITHIN THE PROJECT LIMIT AT THE END OF CONSTRUCTION. SEE LANDSCAPE PLANS FOR FINAL LOCATIONS.

SYMBOL LEGEND AND KEY			
PLANT	PRESERVE IN PLACE	TRANSPLANT ON-SITE	REMOVE FROM SITE
TREE			
SHRUB			
CACTUS			

NATIVE PLANT PRESERVATION PLAN – AREA 16 – STA: 40+00 TO STA: 47+32 – EL CAMINO DEL CERRO
SCALE: 1" = 40'-0"



AREA KEY MAP
SCALE: N.T.S.

N17 OF N23

DEPARTMENT OF TRANSPORTATION/ENGINEERING DIVISION

SILVERBELL ROAD
EL CAMINO DEL CERRO TO GORET ROAD
N17 NATIVE PLANT PRESERVATION PLAN – AREA 16

Approvals	Signatory	Date	Approved _____ 20__
			196
			OF
			446
TRANSPORTATION DIRECTOR			
REF. _____			SCALE: 1" = 40'
DRAWN BY <u> </u> 2018			PLAN NO. _____
DSGN. BY <u> </u> 2018			
CHKD. BY <u> </u> 2018			

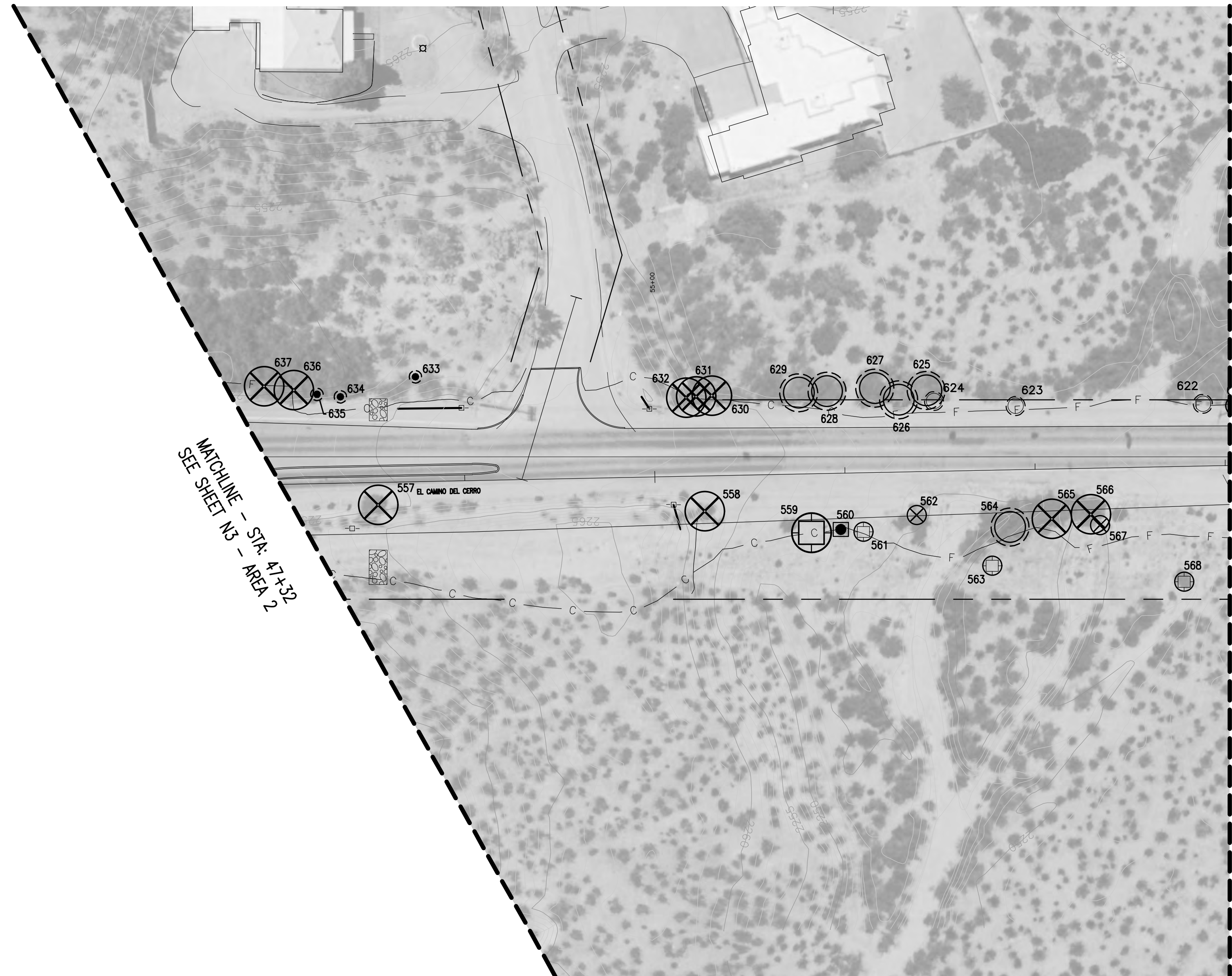
CITY OF TUCSON
PRELIMINARY
100%
REVIEW
NOT FOR
CONSTRUCTION
OR RECORDING

McGann & Associates
Landscape Architects and Planners
8814 North Oracle Road, Suite 210, Tucson, AZ 85718

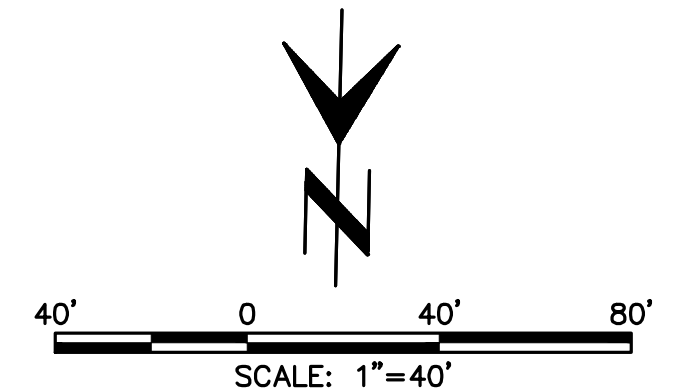
NO.	DATE	REVISION	BY	CHKD.	APPR.

Two working days before you dig
CALL FOR THE BLUE STAKES
1-800-782-5348

DATE\$
FILE\$

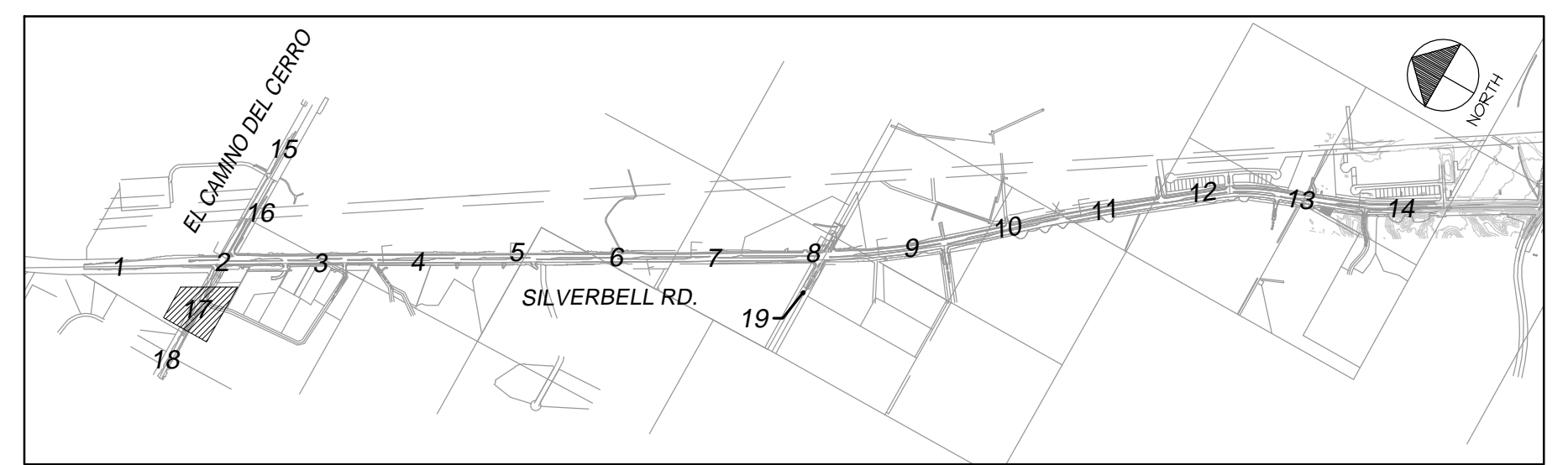


NATIVE PLANT PRESERVATION PLAN – AREA 17 – STA: 53+00 TO STA: 58+00 – EL CAMINO DEL CERRO
 SCALE: 1" = 40'-0"



- NOTES:
1. NATIVE PLANT INVENTORY COMPLETED IN JULY 2016
 2. TREES AND SHRUBS TO BE TRANSPLANTED USING SPADING TECHNIQUES AND MOVED TO A PERMANENT LOCATION ALONG SILVERBELL ROAD SOUTH OF GRANT ROAD. TRANSPLANT LOCATIONS TO BE IDENTIFIED BY THE PROJECT ENGINEER.
 3. CACTI SHALL BE BARE ROOT TRANSPLANTED, STORED IN AN ON SITE HOLDING NURSERY DURING CONSTRUCTION AND PLANTED WITHIN THE PROJECT LIMIT AT THE END OF CONSTRUCTION. SEE LANDSCAPE PLANS FOR FINAL LOCATIONS.

SYMBOL LEGEND AND KEY			
PLANT	PRESERVE IN PLACE	TRANSPLANT ON-SITE	REMOVE FROM SITE
TREE			
SHRUB			
CACTUS			



AREA KEY MAP
 SCALE: N.T.S.

N18 OF N23

DEPARTMENT OF TRANSPORTATION/ENGINEERING DIVISION

SILVERBELL ROAD
 EL CAMINO DEL CERRO TO GORET ROAD
 N18 NATIVE PLANT PRESERVATION PLAN – AREA 17

NO.	DATE	REVISION	BY	CHKD.	APPR.

McGann & Associates
 Landscape Architects and Planners
 8814 North Oracle Road, Suite 210, Tucson, AZ 85718

CITY OF TUCSON

PRELIMINARY
 100%
 REVIEW
 NOT FOR
 CONSTRUCTION
 OR RECORDING

Approvals	Signatory	Date	Approved
			20__

TRANSPORTATION DIRECTOR

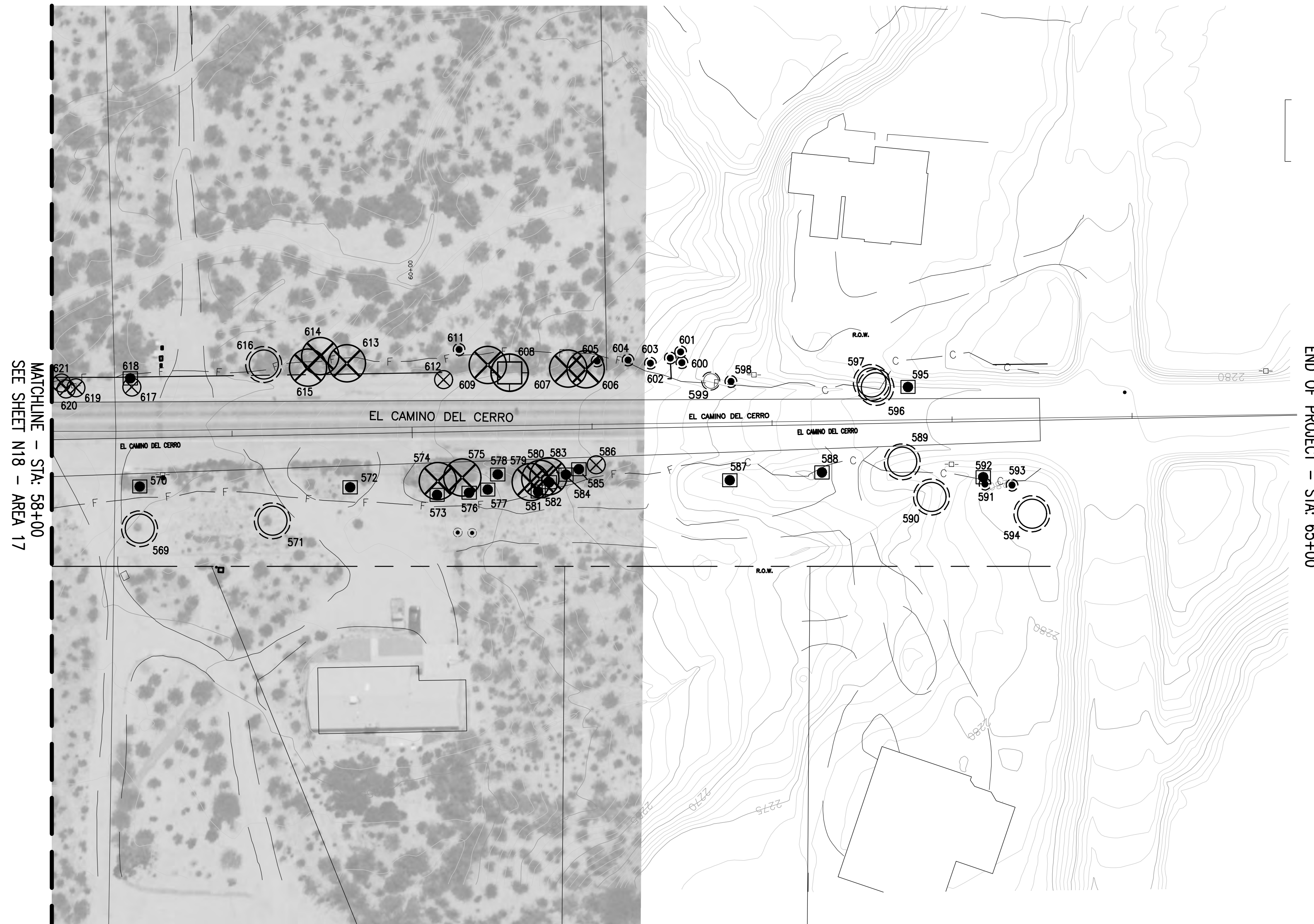
REF. _____ SCALE: 1" = 40'

PLAN NO. _____

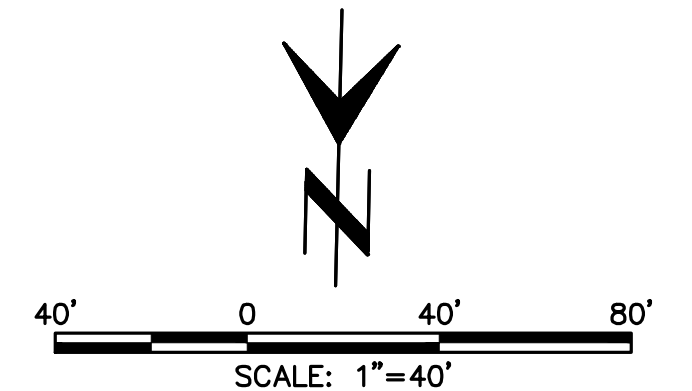
197
 OF
 446

DATE\$
 FILE\$

Two working days before you dig,
 CALL FOR THE BLUE STAKES
 1-800-782-5348

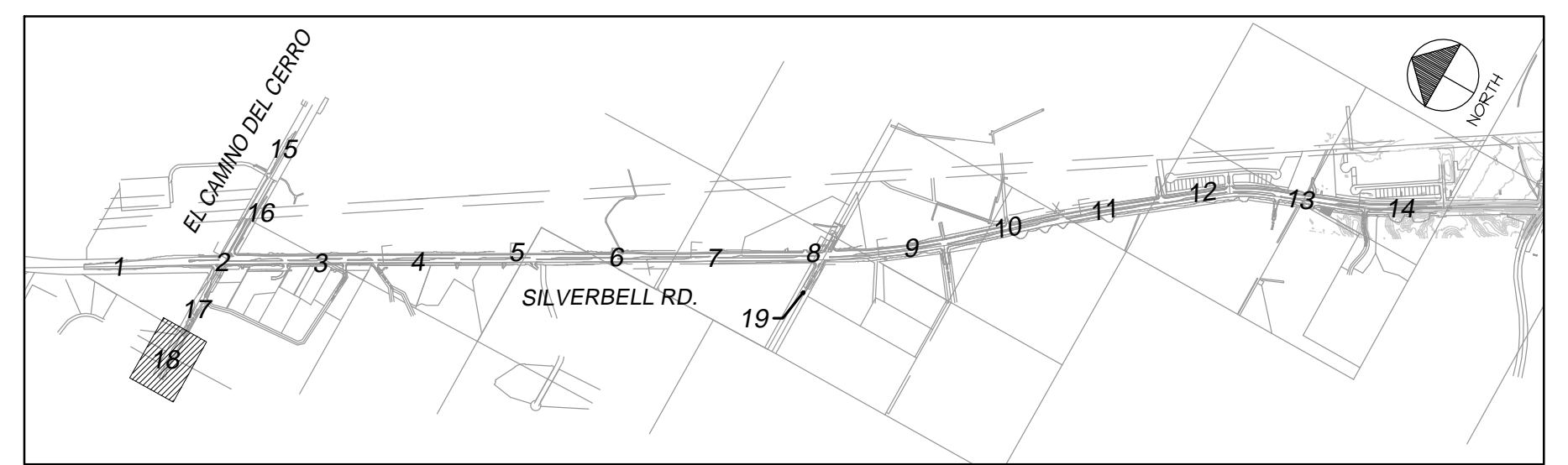


NATIVE PLANT PRESERVATION PLAN – AREA 18 – STA: 58+00 TO STA: 65+00 – EL CAMINO DEL CERRO
SCALE: 1" = 40'-0"



- NOTES:
1. NATIVE PLANT INVENTORY COMPLETED IN JULY 2016
 2. TREES AND SHRUBS TO BE TRANSPLANTED USING SPADING TECHNIQUES AND MOVED TO A PERMANENT LOCATION ALONG SILVERBELL ROAD SOUTH OF GRANT ROAD. TRANSPLANT LOCATIONS TO BE IDENTIFIED BY THE PROJECT ENGINEER.
 3. CACTI SHALL BE BARE ROOT TRANSPLANTED, STORED IN AN ON SITE HOLDING NURSERY DURING CONSTRUCTION AND PLANTED WITHIN THE PROJECT LIMIT AT THE END OF CONSTRUCTION. SEE LANDSCAPE PLANS FOR FINAL LOCATIONS.

SYMBOL LEGEND AND KEY			
PLANT	PRESERVE IN PLACE	TRANSPLANT ON-SITE	REMOVE FROM SITE
TREE			
SHRUB			
CACTUS			



AREA KEY MAP
SCALE: N.T.S.

N19 OF N23

DEPARTMENT OF TRANSPORTATION/ENGINEERING DIVISION

SILVERBELL ROAD
EL CAMINO DEL CERRO TO GORET ROAD
N19 NATIVE PLANT PRESERVATION PLAN – AREA 18



McGann & Associates
Landscape Architects and Planners
8814 North Oracle Road, Suite 210, Tucson, AZ 85718

NO.	DATE	REVISION	BY	CHKD.	APPR.

PRELIMINARY
100%
REVIEW
NOT FOR
CONSTRUCTION
OR RECORDING

Approvals	Signatory	Date	Approved _____ 20__	198 OF 446
TRANSPORTATION DIRECTOR				REF. _____ SCALE: 1" = 40'
DRWN. BY <u> </u> 2018 DSGN. BY <u> </u> 2018 CHKD. BY <u> </u> 2018				
PLAN NO. _____				

Two working days before you dig,
CALL FOR THE BLUE STAKES
1-800-782-5348

\$\$\$DATE\$\$\$
\$\$\$FILE\$\$\$

NATIVE PLANT INVENTORY TABLE

Table with columns: FIELD I.D. NUMBER, PLANT TYPE, BOTANICAL NAME, COMMON NAME, HEIGHT (FEET), CALIPER (INCHES), FORM, VIABILITY RATING, VIABILITY NOTES, TRANSPLANT RATING, TRANSPLANT NOTES, PROPOSED DISPOSITION. Lists native plants such as Prosopis velutina, Cercidium floridum, and various shrubs and trees.

Table with columns: FIELD I.D. NUMBER, PLANT TYPE, BOTANICAL NAME, COMMON NAME, HEIGHT (FEET), CALIPER (INCHES), FORM, VIABILITY RATING, VIABILITY NOTES, TRANSPLANT RATING, TRANSPLANT NOTES, PROPOSED DISPOSITION. Lists native plants including Cercidium floridum, Prosopis velutina, and various shrubs.

Table with columns: FIELD I.D. NUMBER, PLANT TYPE, BOTANICAL NAME, COMMON NAME, HEIGHT (FEET), CALIPER (INCHES), FORM, VIABILITY RATING, VIABILITY NOTES, TRANSPLANT RATING, TRANSPLANT NOTES, PROPOSED DISPOSITION. Lists native plants such as Prosopis velutina, Cercidium floridum, and various shrubs.

ABBREVIATIONS REASONS FOR MEDIUM VIABILITY RANKING A = MODERATE PLANT HEALTH B = ADVANCED AGE C = MODERATE / POOR FORM

REASONS FOR MODERATE TRANSPLANTABILITY RATING D = GENUS/SPECIES HAS LOW TRANSPLANT SURVIVAL RATE E = SIZE NOT SUITABLE FOR TRANSPLANT F = SOILS ARE TOO ROCKY OR SHALLOW FOR TRANSPLANT G = TOPOGRAPHY LIMITS TRANSPLANTABILITY H = INTERFERENCE FROM ADJACENT PLANTS/IMPROVEMENTS

PROPOSED DISPOSITION OF PLANT TIP = PRESERVE-IN-PLACE PIP = TRANSPLANT-ON-SITE RFS = REMOVE-FROM-SITE FORM NOTES S = SINGLE TRUNK M = MULTI-TRUNK

DEPARTMENT OF TRANSPORTATION/ENGINEERING DIVISION

SILVERBELL ROAD EL CAMINO DEL CERRO TO GORET ROAD N20 INVENTORY DATA



PRELIMINARY 100% REVIEW NOT FOR CONSTRUCTION OR RECORDING

Approval and Signature table with columns for Approvals, Signatory, Date, and a signature line for the TRANSPORTATION DIRECTOR.

\$DATE\$ \$FILE\$

Two working days before you dig CALL FOR THE BLUE STAKES 1-800-782-5348

Table with columns: NO., DATE, REVISION, BY, CHKD., APPR.

Approved 20 199

446

TRANSPORTATION DIRECTOR

REF. SCALE: 1" = 40'

PLAN NO.

FIELD NUMBER	PLANT TYPE	BOTANICAL NAME	COMMON NAME	HEIGHT (FEET)	CALIPER (INCHES)	FORM	VIABILITY RATING	VIABILITY NOTES	TRANSPLANT RATING	TRANSPLANT NOTES	PROPOSED DISPOSITION
1069	TREE	Cercidium floridum	Blue Palo Verde	13	9 M	Medium	C	Low	H		RFS
1070	TREE	Prosopis velutina	Velvet Mesquite	8	14 M	Low	C	Low	D		RFS
1071	TREE	Prosopis velutina	Velvet Mesquite	8	6 S	Low	C	Low	D		RFS
1072	SHRUB	Zizyphus obtusifolia	Graythorn	6	4 S	Medium	A	Medium	D		RFS
1073	TREE	Acacia greggii	Catalow Acacia	8	7 S	Medium	A	Low	D		RFS
1074	TREE	Prosopis velutina	Velvet Mesquite	4	6 M	Low	A	Low	D		RFS
1075	TREE	Prosopis velutina	Velvet Mesquite	10	12 M	Low	A	Low	H		RFS
1076	SHRUB	Zizyphus obtusifolia	Graythorn	6	3 M	Low	C	Low	D		RFS
1077	TREE	Cercidium floridum	Blue Palo Verde	15	18 M	Low	C	Low	H		RFS
1078	TREE	Prosopis velutina	Velvet Mesquite	8	14 M	Medium	A	Low	H		RFS
1079	TREE	Cercidium floridum	Blue Palo Verde	6	5 M	Medium	C	Medium	D		RFS
1080	TREE	Cercidium floridum	Blue Palo Verde	6	6 M	Medium	A	Medium	D		RFS
1081	TREE	Acacia greggii	Catalow Acacia	6	10 M	Medium	A	Medium	E		RFS
1082	TREE	Acacia greggii	Catalow Acacia	6	6 M	Medium	A	Medium	E		RFS
1083	TREE	Acacia greggii	Catalow Acacia	7	6 M	Low	A	Low	D		RFS
1084	SHRUB	Zizyphus obtusifolia	Graythorn	5	3 M	Low	A	Low	H		RFS
1085	SHRUB	Acacia greggii	Catalow Acacia	6	4 M	High	None	Medium	H		RFS
1086	TREE	Cercidium floridum	Blue Palo Verde	9	8 M	Low	A	Low	D		RFS
1087	SHRUB	Zizyphus obtusifolia	Graythorn	4	4 M	Low	A	Low	H		RFS
1088	TREE	Acacia constricta	Whitethorn Acacia	7	7 M	Medium	A	Medium	D		PIP
1089	TREE	Prosopis velutina	Velvet Mesquite	9	9 M	Low	A	Low	H		RFS
1090	SHRUB	Zizyphus obtusifolia	Graythorn	4	3 M	High	None	Medium	D		RFS
1091	TREE	Acacia greggii	Catalow Acacia	5	7 M	Medium	A	Low	D		RFS
1092	TREE	Cercidium floridum	Blue Palo Verde	7	5 M	Medium	A	Low	H		RFS
1093	TREE	Cercidium floridum	Blue Palo Verde	14	18 M	Low	A	Low	H		RFS
1094	TREE	Prosopis velutina	Velvet Mesquite	6	8 M	Low	A	Low	H		RFS
1095	SHRUB	Zizyphus obtusifolia	Graythorn	6	4 M	Low	C	Low	H		RFS
1096	CACTI	Peniocereus greggii	Nightblooming Cereus	2	3 S	Medium	A	Medium	G		TOS
1097	CACTI	Peniocereus greggii	Nightblooming Cereus	2	3 S	Medium	A	Medium	G		TOS
1098	CACTI	Peniocereus greggii	Nightblooming Cereus	3	3 S	Medium	A	Medium	G		TOS
1099	TREE	Cercidium microphyll	Foothill Palo Verde	7	8 M	Medium	A	Medium	G		RFS
1100	TREE	Cercidium microphyll	Foothill Palo Verde	6	7 M	Medium	A	Medium	G		RFS
1101	TREE	Cercidium microphyll	Foothill Palo Verde	5	3 M	Medium	A	Low	G		RFS
1102	TREE	Cercidium microphyll	Foothill Palo Verde	6	6 M	Low	A	Low	G		RFS
1103	TREE	Cercidium microphyll	Foothill Palo Verde	8	6 M	Low	A	Low	G		RFS
1104	TREE	Cercidium microphyll	Foothill Palo Verde	7	9 M	Low	A	Low	G		RFS
1105	CACTI	Ferocactus wislizeni	Fishhook Barrel Cactus	3	18 S	High	None	Medium	G		PIP
1106	TREE	Cercidium microphyll	Foothill Palo Verde	4	3 S	Low	A	Low	G		PIP
1107	TREE	Cercidium microphyll	Foothill Palo Verde	7	5 M	Medium	A	Low	G		PIP
1108	TREE	Cercidium microphyll	Foothill Palo Verde	9	10 M	Medium	A	Medium	G		RFS
1109	TREE	Cercidium microphyll	Foothill Palo Verde	9	11 M	Low	A	Low	G		PIP
1110	SHRUB	Acacia constricta	Whitethorn Acacia	4	3 M	Low	A	Low	G		PIP
1111	TREE	Cercidium floridum	Blue Palo Verde	8	12 M	Medium	A	Low	G		PIP
1112	TREE	Cercidium floridum	Blue Palo Verde	7	10 M	Low	A	Medium	G		RFS
1113	TREE	Cercidium floridum	Blue Palo Verde	8	10 M	Medium	A	Medium	D		RFS
1114	TREE	Cercidium floridum	Blue Palo Verde	7	10 M	Low	A	Low	G		RFS
1115	TREE	Cercidium floridum	Blue Palo Verde	7	7 M	Low	A	Low	G		RFS
1116	CACTI	Ferocactus wislizeni	Fishhook Barrel Cactus	3	20 S	Low	A	Low	D		PIP
1117	TREE	Prosopis velutina	Velvet Mesquite	10	12 S	Medium	A	Medium	D		PIP
1118	TREE	Prosopis velutina	Velvet Mesquite	9	6 S	Medium	A	High	None		PIP
1119	TREE	Acacia constricta	Whitethorn Acacia	7	5 M	Medium	A	Medium	D		RFS
1120	TREE	Prosopis velutina	Velvet Mesquite	11	18 M	Medium	C	Medium	E		RFS
1121	TREE	Prosopis velutina	Velvet Mesquite	9	5 S	Medium	A	Medium	D		RFS
1122	TREE	Prosopis velutina	Velvet Mesquite	12	11 M	Low	A	Low	E		RFS

ABBREVIATIONS
REASONS FOR MEDIUM VIABILITY RANKING
 A = MODERATE PLANT HEALTH
 B = ADVANCED AGE
 C = MODERATE / POOR FORM

REASONS FOR MODERATE TRANSPLANTABILITY RATING
 D = GENUS/SPECIES HAS LOW TRANSPLANT SURVIVAL RATE
 E = SIZE NOT SUITABLE FOR TRANSPLANT
 F = SOILS ARE TOO ROCKY OR SHALLOW FOR TRANSPLANT
 G = TOPOGRAPHY LIMITS TRANSPLANTABILITY
 H = INTERFERENCE FROM ADJACANT PLANTS/IMPROVEMENTS

PROPOSED DISPOSITION OF PLANT
 PIP = PRESERVE-IN-PLACE
 TOS = TRANSPLANT-ON-SITE
 RFS = REMOVE-FROM-SITE

FORM NOTES
 S = SINGLE TRUNK
 M = MULTI-TRUNK

Two working days before you dig,
CALL FOR THE BLUE STAKES
 1-800-782-5348

NO.	DATE	REVISION	BY	CHKD.	APPR.

PRELIMINARY
 100%
 REVIEW
 NOT FOR
 CONSTRUCTION
 OR RECORDING

DEPARTMENT OF TRANSPORTATION/ENGINEERING DIVISION

SILVERBELL ROAD
 EL CAMINO DEL CERRO TO GORET ROAD
 N23 INVENTORY DATA

Approvals	Signatory	Date

Approved _____ 20____
 OF
 446
 TRANSPORTATION DIRECTOR
 REF. _____ SCALE: 1" = 40'
 PLAN NO. _____

DRWN. BY CS/AM 2018 DSSN. BY SM 2018 CHKD. BY SM 2018

DATE\$
 FILE\$