

-
From: Susannah Dickinson

Sent: Friday, May 7, 2021 10:31 AM

To: Maria Gayosso <Maria.Gayosso@tucsonaz.gov>; Nicholas Ross <Nicholas.Ross@tucsonaz.gov>;
Jaclyn Reynolds <Jaclyn.Reynolds@tucsonaz.gov>

Subject: [EXTERNAL]RE: 5/7/2021 DRB Meeting Agends

Hi Maria,

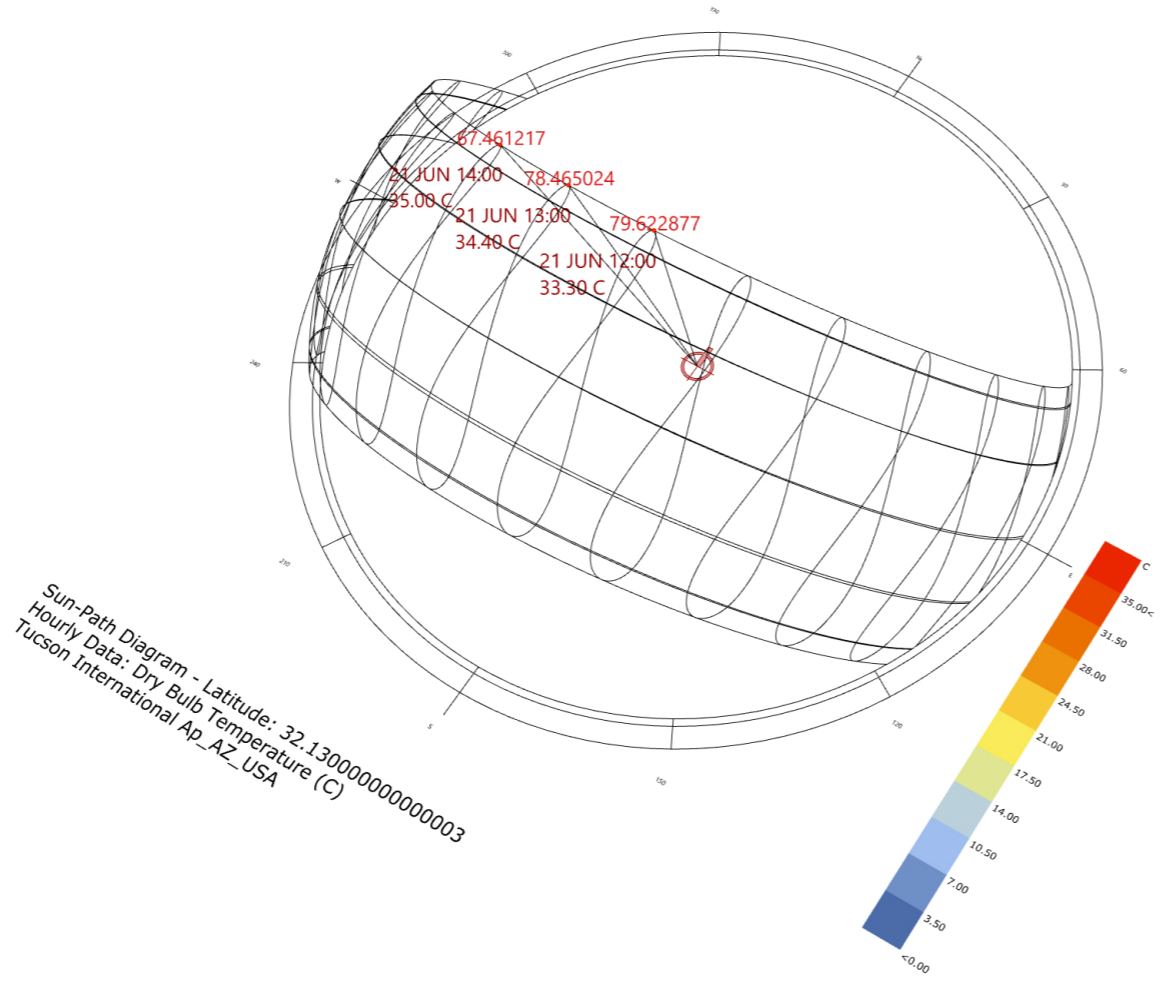
I'm not sure what the appropriate way to address this is, but you can see from the attached that the sun azimuth at 2pm on June 21st, is not correct per the guidelines. Let me know if anything is unclear from these images.

Best,

Susannah



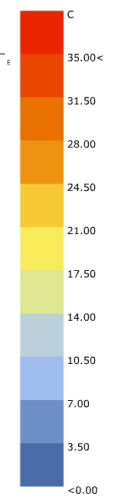
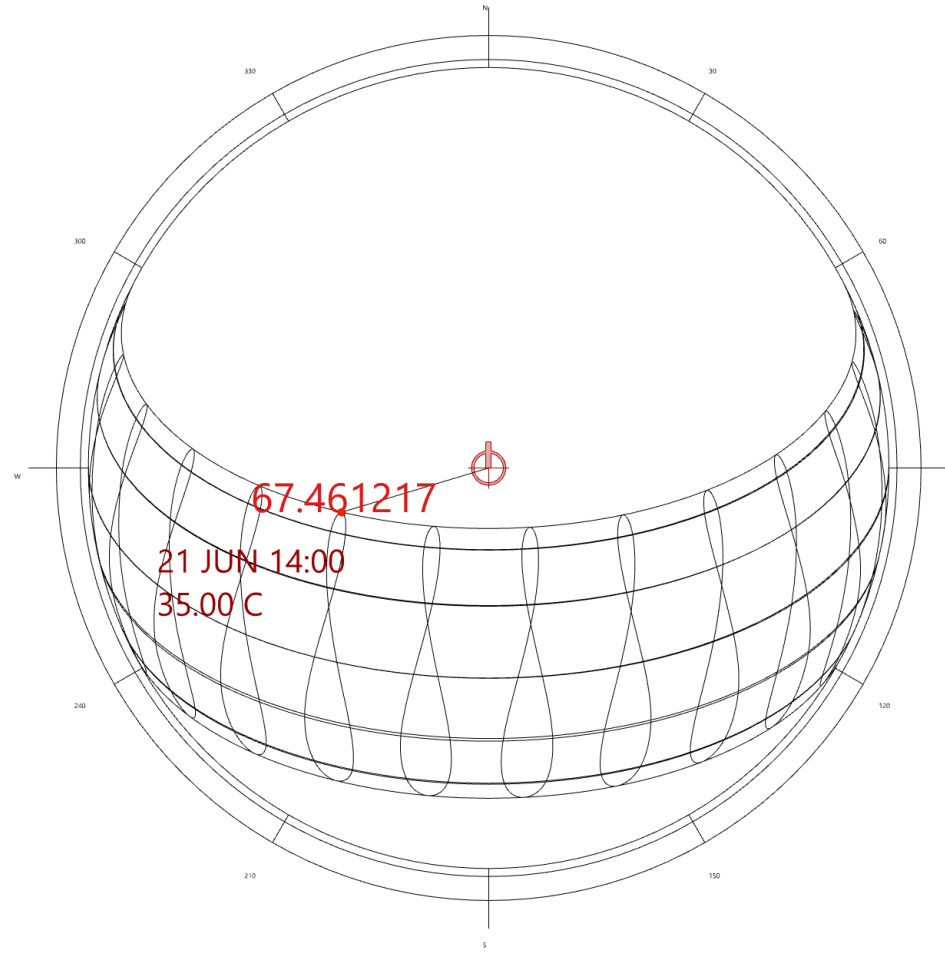
Perspective



Perspective Top Front Right



Top



67.461217
21 JUN 14:00
35.00 C

Sun-Path Diagram - Latitude: 32.13000000000003

21 JUN 14:00, ALT = 67.46, AZM = 253.26
Hourly Data: Dry Bulb Temperature (C)
Tucson International Ap_AZ_USA

Top Top Front Right