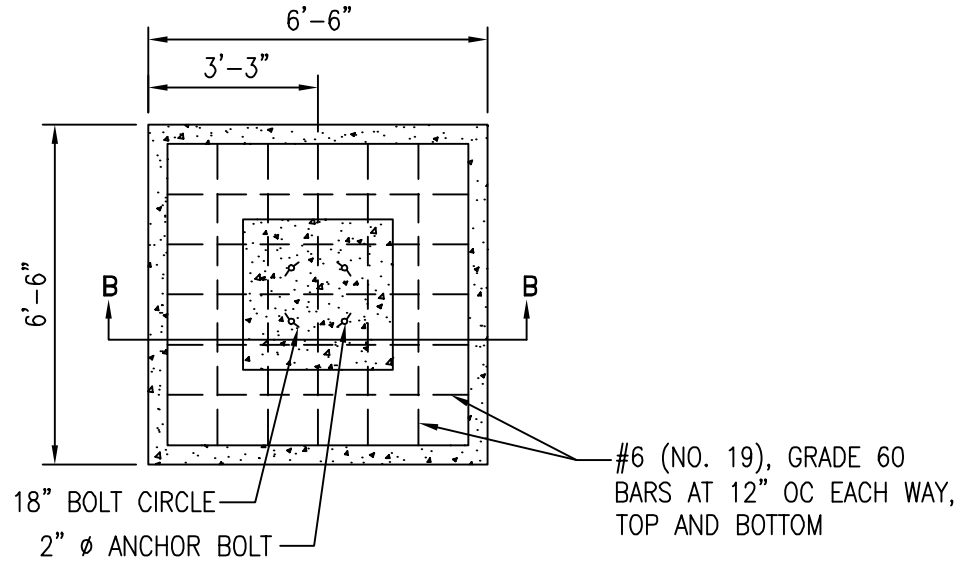
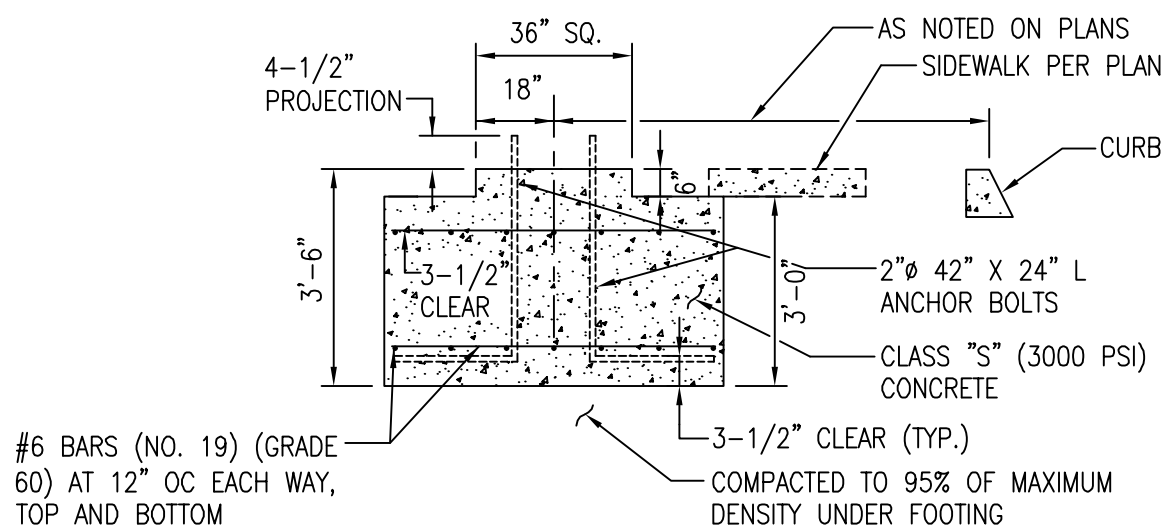


NOTES:

1. FOR ADDITIONAL POLE BASE AND FOUNDATION PLAN DETAIL, SEE STD. DTL. No. T 412.
2. A 20' COIL OF #4 AWG BARE COPPER GROUND WIRE SHALL BE INSTALLED BEFORE THE CONCRETE IS POURED AND CONNECTED TO POLE GROUNDING SCREW IN THE HAND HOLE.



PLAN



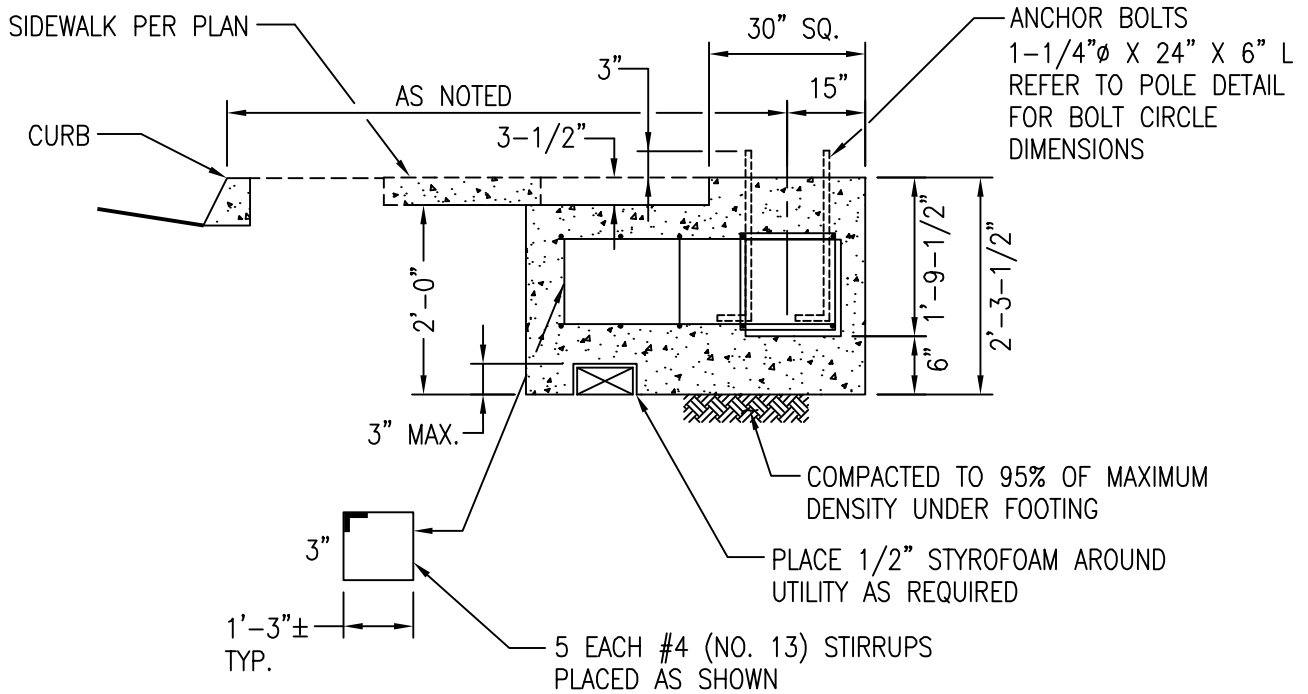
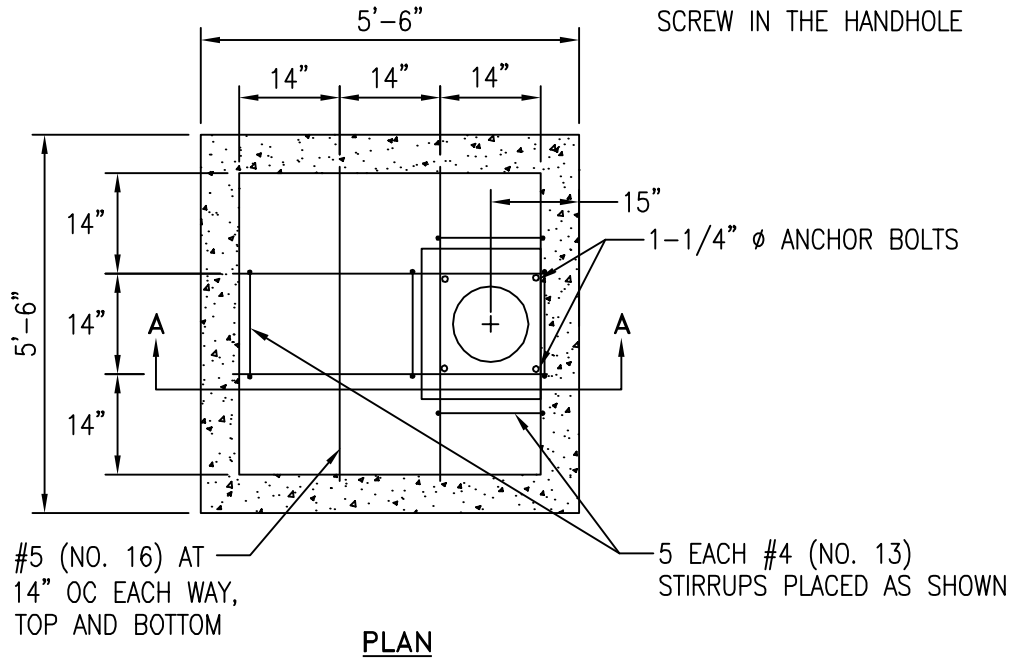
SECTION B-B

NOT TO BE USED WITH TS MAST ARMS LONGER THAN 30' OR WITH SL MAST ARMS LONGER THAN 20'

	DETAIL NO.	STANDARD DETAIL	ISSUED:
	T 432	SPREAD FOUNDATION (TYPE 'Q' AND 'J' POLES)	7/89
	SHEET 1 of 1		REVISED: 10/12

NOTES:

1. A 20' COIL OF #4 AWG BARE COPPER GROUND WIRE SHALL BE INSTALLED BEFORE THE CONCRETE IS POURED AND CONNECTED TO THE GROUNDING SCREW IN THE HANDHOLE

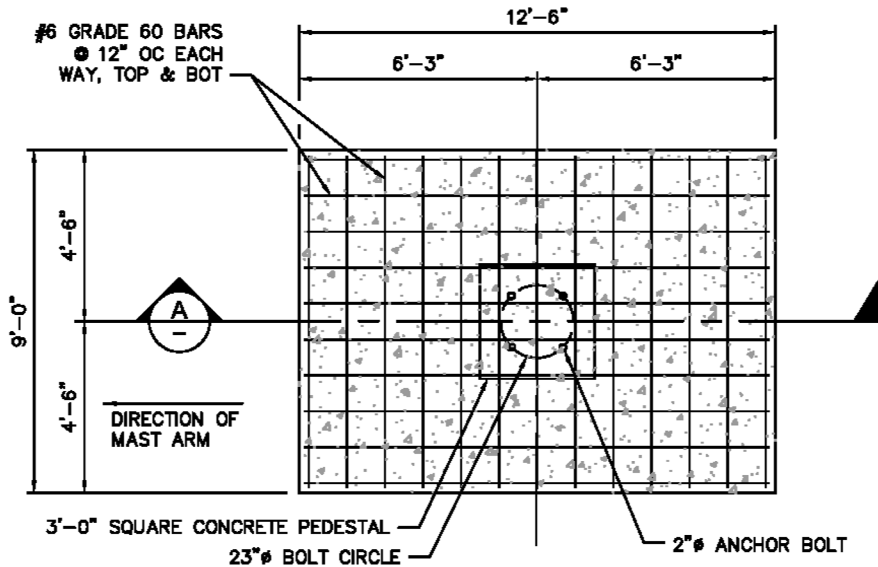


NOT TO BE USED WITH SL MAST ARMS LONGER THAN 20'

	DETAIL NO.	STANDARD DETAIL	ISSUED:
	T 433	SPREAD FOUNDATION (TYPE 'E', 'F', 'G' 1 AND 2 POLES)	7/89
	SHEET 1 of 1		REVISED: 10/12

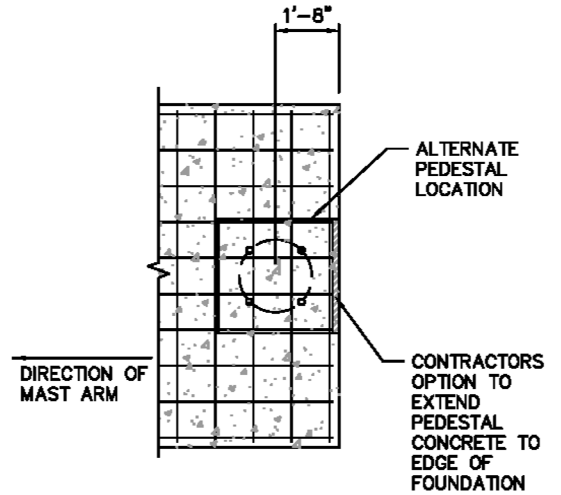
GENERAL NOTES:

1. A 20' COIL OF #4 AWG BARE COPPER GROUND WIRE SHALL BE INSTALLED BEFORE THE CONCRETE IS POURED AND CONNECTED TO POLE GROUNDING SCREW IN THE HAND HOLE.
2. WHERE UNSTABLE SOILS ARE ENCOUNTERED, THIS DETAIL SHOULD NOT BE USED. MINIMUM VALUES: ALLOWABLE BEARING PRESSURE= 2,000 PSF. PH= 25 DEGREES.
3. IF BOLT CIRCLE IS DIFFERENT THAN SHOWN, ADJUST THE STIRRUP SIZE TO FIT.



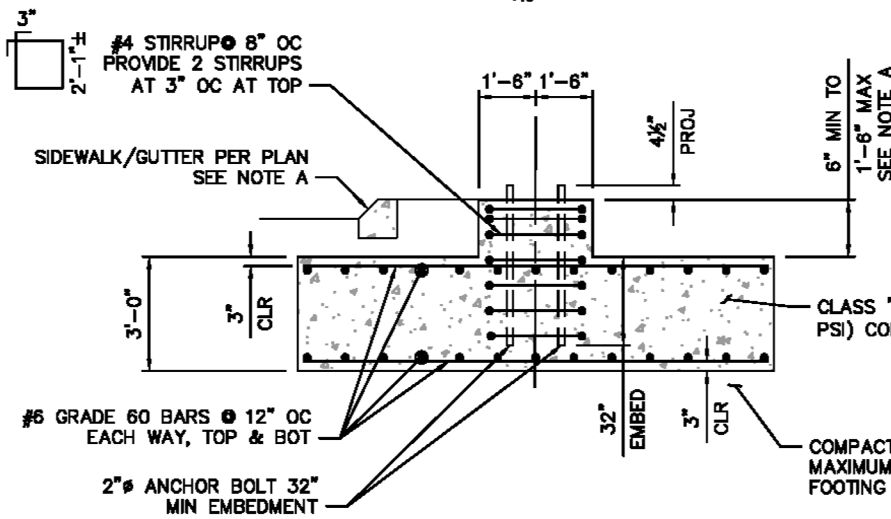
PLAN

SCALE: 3/16" = 1'-0"



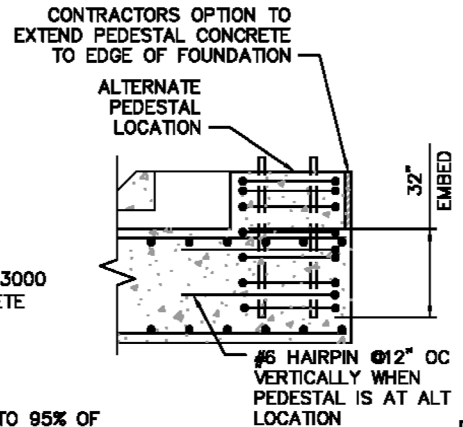
ALTERNATE PEDESTAL LOCATION

SCALE: 3/16" = 1'-0"



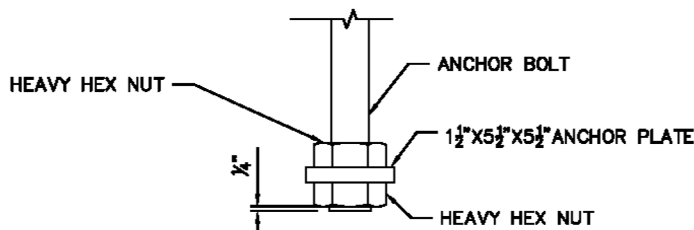
A SECTION

SCALE: 3/16" = 1'-0"



ALTERNATE PEDESTAL LOCATION

SCALE: 3/16" = 1'-0"



ANCHOR PLATE DETAIL

SCALE: NOT TO SCALE

NOTE A:

USE 1'-6" PEDESTAL HEIGHT WHERE ROADWAY SECTION AND CURB IS OVER TOP OF FOOTING.

ISSUED:	
08/2023	
REVISED:	



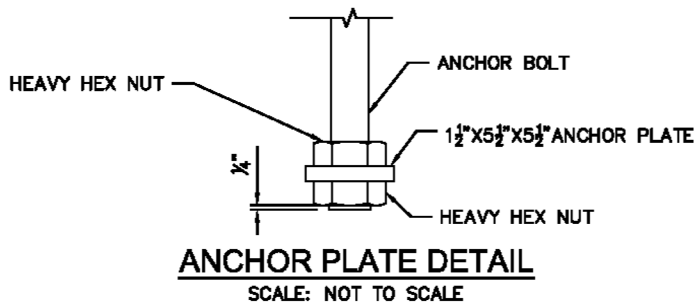
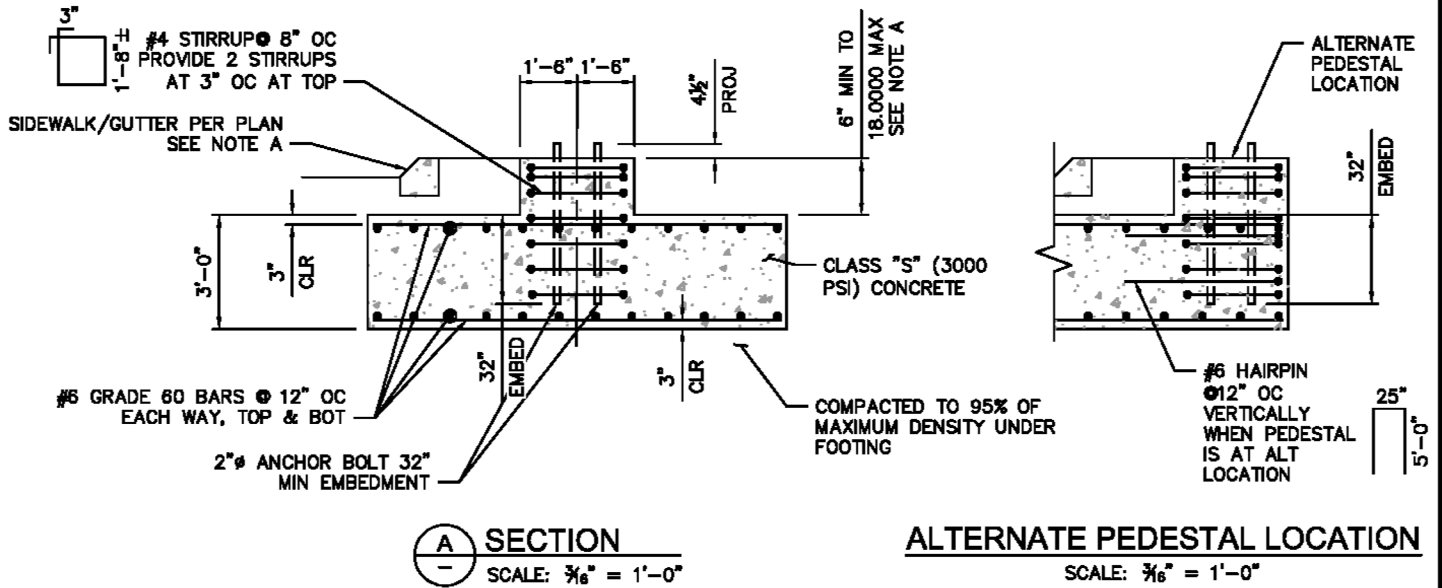
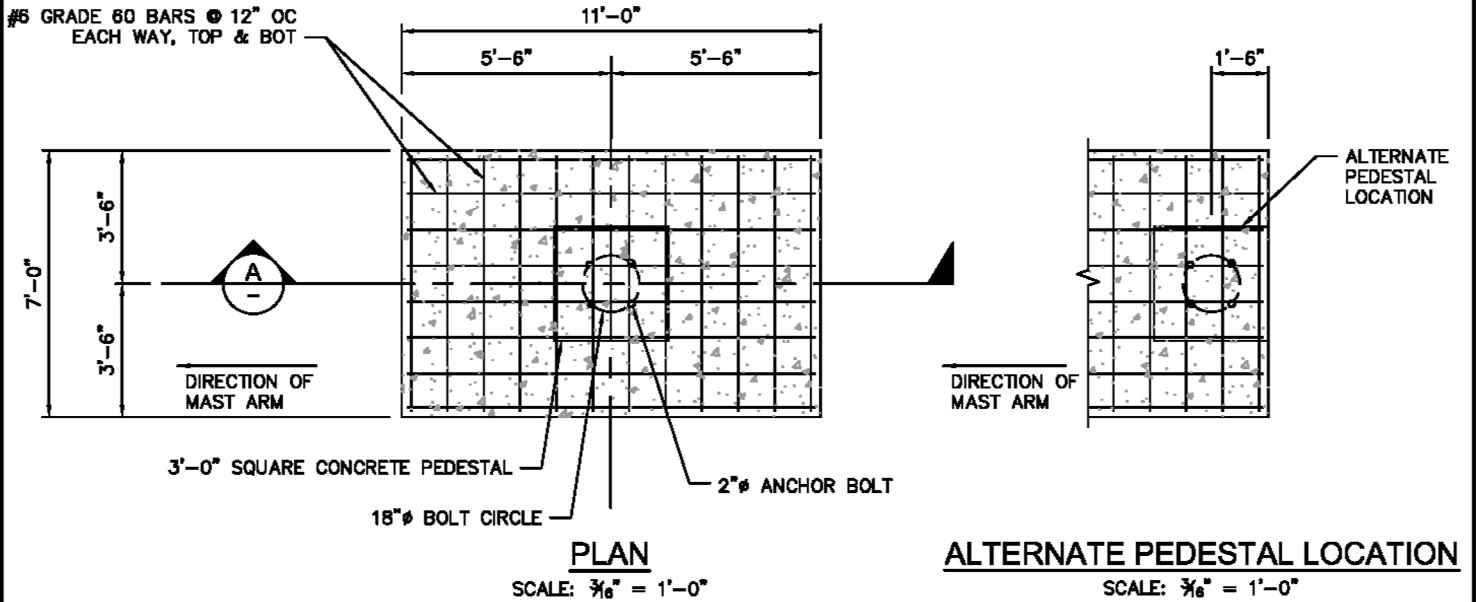
STANDARD DETAIL
SPREAD FOUNDATION -
POLE TYPE V AND W



DETAIL NO.
T434
M-2023-001
SHEET 1 OF 1

GENERAL NOTES:

1. A 20' COIL OF #4 AWG BARE COPPER GROUND WIRE SHALL BE INSTALLED BEFORE THE CONCRETE IS POURED AND CONNECTED TO POLE GROUNDING SCREW IN THE HAND HOLE.
2. WHERE UNSTABLE SOILS ARE ENCOUNTERED, THIS DETAIL SHOULD NOT BE USED.
MINIMUM VALUES: ALLOWABLE BEARING PRESSURE= 2,000 PSF. PHI= 25 DEGREES.
3. IF BOLT CIRCLE IS DIFFERENT THAN SHOWN, ADJUST THE STIRRUP SIZE TO FIT.
4. FOR ADDITIONAL POLE BASE AND FOUNDATION PLAN DETAILS, SEE STD. DTL. No. T411 AND T413.

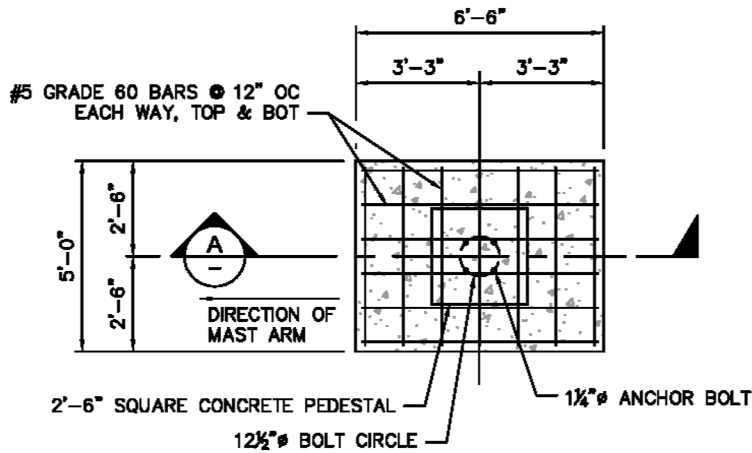


NOTE A:
USE 1'-6" PEDESTAL HEIGHT WHERE ROADWAY SECTION AND CURB IS OVER TOP OF FOOTING.

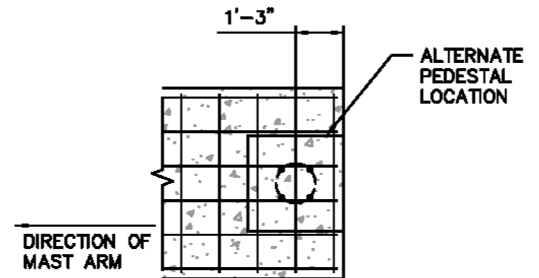
ISSUED:		STANDARD DETAIL SPREAD FOUNDATION - POLE TYPE R AND K		DETAIL NO.
08/2023				T435
REVISED:				M-2023-001
				SHEET 1 OF 1

GENERAL NOTES:

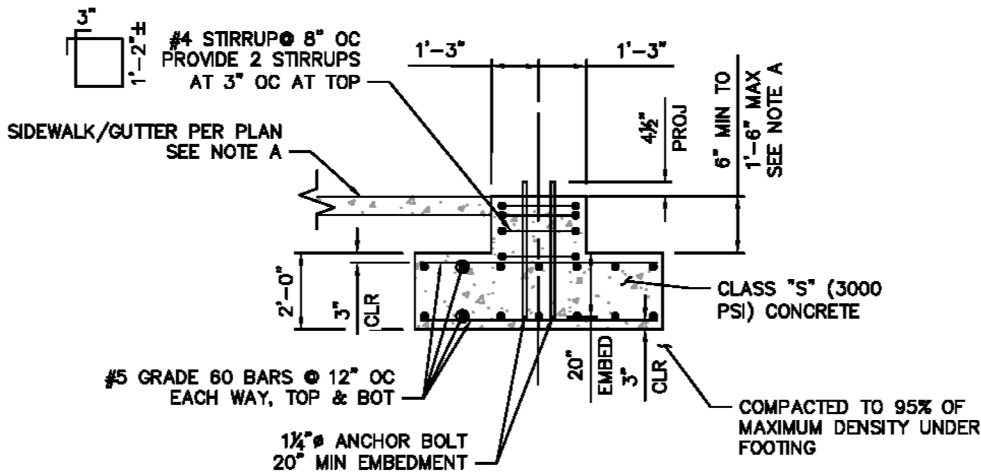
1. A 20' COIL OF #4 AWG BARE COPPER GROUND WIRE SHALL BE INSTALLED BEFORE THE CONCRETE IS POURED AND CONNECTED TO POLE GROUNDING SCREW IN THE HAND HOLE.
2. WHERE UNSTABLE SOILS ARE ENCOUNTERED, THIS DETAIL SHOULD NOT BE USED.
MINIMUM VALUES: ALLOWABLE BEARING PRESSURE= 2,000 PSF. PHI= 25 DEGREES.
3. IF BOLT CIRCLE IS DIFFERENT THAN SHOWN, ADJUST THE STIRRUP SIZE TO FIT.
4. FOR ADDITIONAL POLE BASE AND FOUNDATION PLAN DETAIL, SEE STD. DTL No. T446.



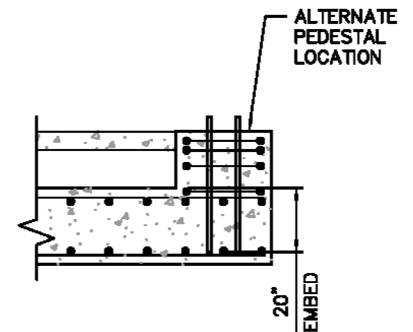
PLAN
SCALE: 3/16" = 1'-0"



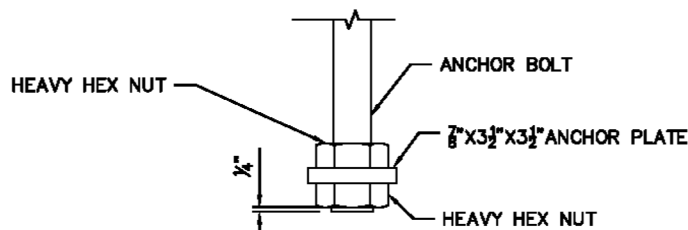
ALTERNATE PEDESTAL LOCATION
SCALE: 3/16" = 1'-0"



(A) SECTION
SCALE: 3/16" = 1'-0"





ALTERNATE PEDESTAL LOCATION
SCALE: 3/16" = 1'-0"



ANCHOR PLATE DETAIL
SCALE: NOT TO SCALE

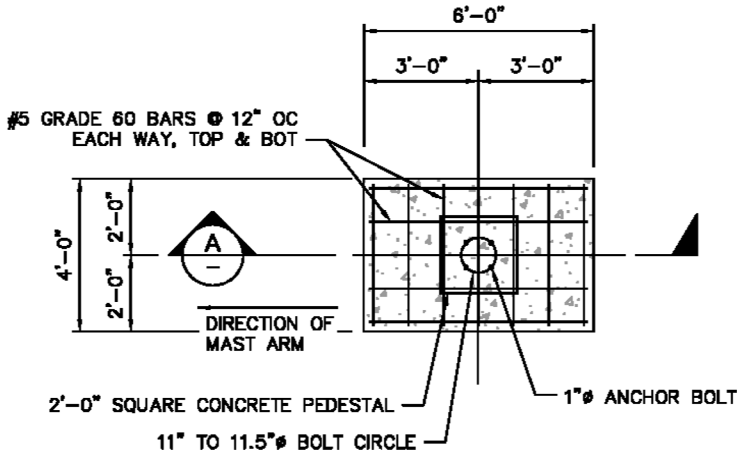
NOTE A:

USE 1'-6" PEDESTAL HEIGHT WHERE ROADWAY SECTION AND CURB IS OVER TOP OF FOOTING.

ISSUED:		STANDARD DETAIL		DETAIL NO.	
08/2023				SPREAD FOUNDATION - POLE TYPE 2D AND 2E	T436
REVISED:				M-2023-001	
				SHEET 1 OF 1	

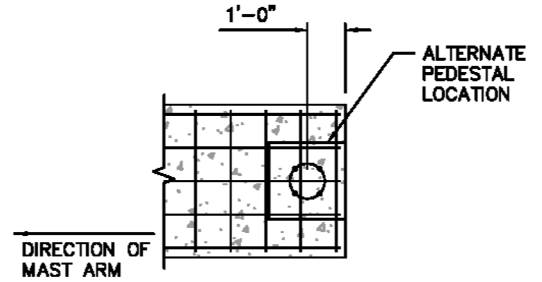
GENERAL NOTES:

1. A 20' COIL OF #4 AWG BARE COPPER GROUND WIRE SHALL BE INSTALLED BEFORE THE CONCRETE IS POURED AND CONNECTED TO POLE GROUNDING SCREW IN THE HAND HOLE.
2. WHERE UNSTABLE SOILS ARE ENCOUNTERED, THIS DETAIL SHOULD NOT BE USED.
MINIMUM VALUES: ALLOWABLE BEARING PRESSURE= 2,000 PSF. PH= 25 DEGREES.
3. IF BOLT CIRCLE IS DIFFERENT THAN SHOWN, ADJUST THE STIRRUP SIZE TO FIT.



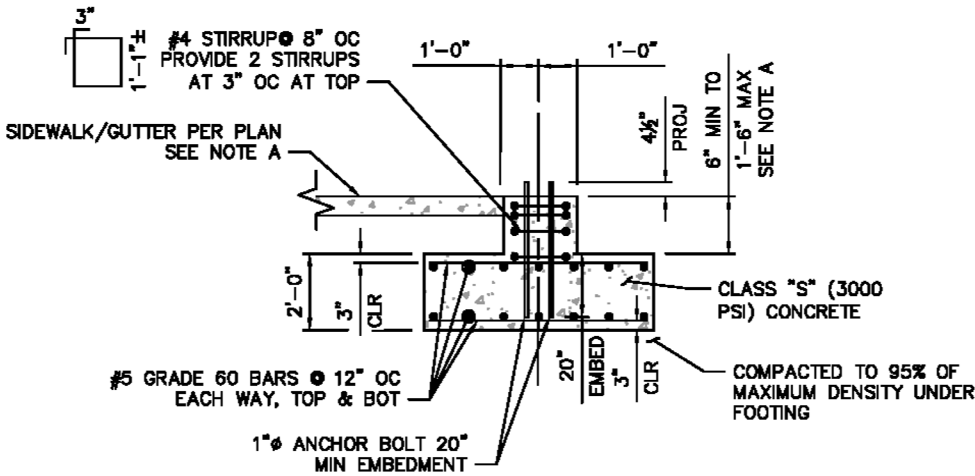
PLAN

SCALE: $\frac{3}{16}'' = 1'-0''$



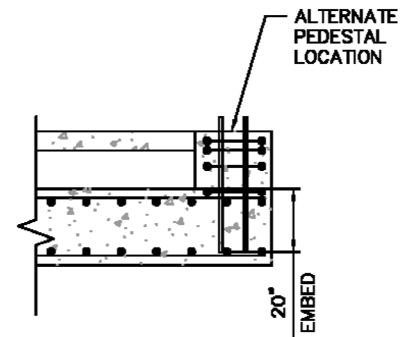
ALTERNATE PEDESTAL LOCATION

SCALE: $\frac{3}{16}'' = 1'-0''$



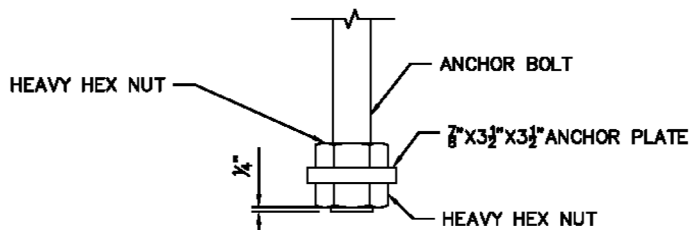
SECTION

SCALE: $\frac{3}{16}'' = 1'-0''$



ALTERNATE PEDESTAL LOCATION

SCALE: $\frac{3}{16}'' = 1'-0''$





ANCHOR PLATE DETAIL

SCALE: NOT TO SCALE

NOTE A:

USE 1'-6" PEDESTAL HEIGHT WHERE ROADWAY SECTION AND CURB IS OVER TOP OF FOOTING.

ISSUED:		STANDARD DETAIL SPREAD FOUNDATION - POLE TYPE 3 AND 4		DETAIL NO.
08/2023				T437
REVISED:				M-2023-001
				SHEET 1 OF 1