

KEEP RIGHT
18"X24"

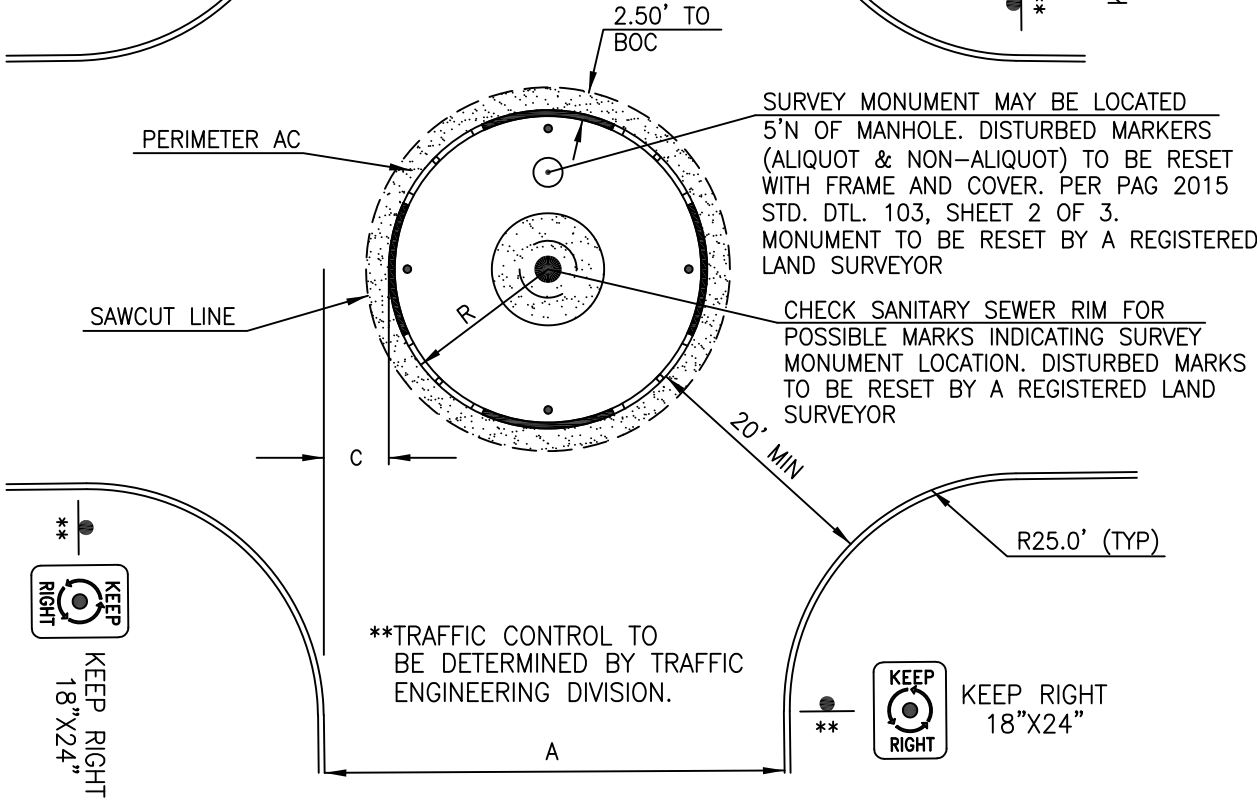


**

NOTE: IF SURVEY MARKERS AT STREET INTERSECTIONS ARE DAMAGED AND/OR DISTURBED DURING CONSTRUCTION, THE CONTRACTOR SHALL HAVE THE MARKER RESET BY A REGISTERED LAND SURVEYOR ACCORDING TO STATE LAW (ARS 33-103).



KEEP RIGHT
18"X24"



TRAFFIC CIRCLE LAYOUT DATA:

A STREET WIDTH	R TRAFFIC CIRCLE RADIUS	C	CURB OPENING (L.F.)	A STREET WIDTH	R TRAFFIC CIRCLE RADIUS	C	CURB OPENING (L.F.)	A STREET WIDTH	R TRAFFIC CIRCLE RADIUS	C	CURB OPENING (L.F.)
24'	7.35'	4.7'	8'	30'	11.55'	3.4'	9'	36'	15.8'	2.2'	12.3'
26'	8.75'	4.3'	8'	32'	13.0'	3.0'	10.1'	38'	17.25'	1.8'	13.4'
28'	10.15'	3.8'	8'	34'	14.4'	2.6'	11.2'	40'	18.65'	1.4'	14.5'

TRAFFIC CIRCLE CONSTRUCTION METHOD:

1. LOCATE PC AND PT AT EACH CURB RETURN. PROJECT LINE CONNECTING PC AND PT. TYPICAL FOR EACH QUADRANT.
2. LOCATE MIDPOINT OF PC-PT CHORD. PROJECT LINE CONNECTING MIDPOINTS OF OPPOSITE CORNERS.
3. MARK LOCATION OF INTERSECTING LINES. STAKE LOCATION REPRESENTS PROPOSED CENTER OF TRAFFIC CIRCLE.
4. REFER TO "TRAFFIC CIRCLE LAYOUT DATA" TABLE FOR SPECIFIC DESIGN OF EACH TRAFFIC CIRCLE.
5. CONTRACTOR SHALL INSURE 20' MINIMUM CLEARANCE FROM PROPOSED TRAFFIC CIRCLE FACE OF CURB TO EXISTING CURB RETURNS. CONTRACTOR SHALL CONTACT PROJECT ENGINEER IF CLEARANCE CONFLICTS EXIST.

ISSUED:		STANDARD DETAIL		DETAIL NO.
5/12		TYPICAL TRAFFIC CIRCLE DETAIL		110
REVISED:				M-2021-001
7/21				SHEET 1 OF 6

6" MIN. CLEARANCE BETWEEN REMOVABLE POST FOUNDATION AND ADJACENT SURVEY MONUMENTS

POSSIBLE SURVEY MONUMENT
TO BE RESET WITH FRAME AND COVER PER PAG 2015 STD. DTL. 103, SHEET 2 OF 3. IF DESTROYED OR DISTURBED

CONCRETE CURB TERMINAL SECTION PER PAG 2015 STD. DTL. 212 (MODIFIED FROM 6:1 TO 2:1)

NEW RAISED VERTICAL TYPE-2 CURB PER PAG 2015 STD. DTL. 209, H=6"

NEW AC TDOT MIX NO. 2 OVER COMPACTED ABC ASPHALT TO MATCH EXISTING, 2" AC OVER 4" AB MIN.

CONCRETE COLLAR SEE DETAIL A

SAWCUT LINE 2' TO F.O.C.

DECOMPOSED GRANITE FOR PCRWRD ACCESS (1" SCREENED MIN.)

DEPRESSED CURB

4" YELLOW STRIPE 1' FROM GUTTER

MIN. FOUR (4) REMOVABLE POST BARRICADES EQUALLY SPACED. PER PAG 2015 STD. DTL. 107, TYPE "B"

(4) TYPE D (YELLOW) TWO-WAY REFLECTIVE RPM

APPROVED LANDSCAPE AREA VEGETATION MUST NOT CAUSE ROOT DAMAGE TO ADJACENT SEWER LINE, SURVEY MONUMENT, OR INTERFERE WITH SIGHT VISIBILITY.

VARIES 8' MIN. CURB OPENING PER CIRCLE LAYOUT TABLE

A - SEE SHT. 6 OF 6

NOTES:

1. LANDSCAPING TO BE DETERMINED BY CITY OF TUCSON PROJECT ENGINEER, NEIGHBORHOOD ASSOCIATION, AND PCRWRD, IN ACCORDANCE WITH THIS DETAIL.
2. ALL SPECIFICATIONS FOR SOLAR RPM'S AND REMOVABLE POST BARRICADES SHALL BE OBTAINED FROM CITY OF TUCSON PROJECT ENGINEER.
3. TRAFFIC CIRCLE NOT TO BE USED IN FLOOD PRONE AREAS OR INTERSECTIONS WITH INVERTED ROADS.
4. TRAFFIC CIRCLE CANNOT BE AT CONSECUTIVE INTERSECTIONS TO ALLOW FOR EASE OF USE FOR COMMERCIAL VEHICLES.

PIMA COUNTY REGIONAL WASTEWATER RECLAMATION DEPARTMENT COMMENTS:

1. SEWER MANHOLE RIM TO BE REBUILT PER PCRWRD STD. DTL. 212 FOR CONCRETE COLLAR IN UNPAVED AREAS.

ISSUED:		STANDARD DETAIL		DETAIL NO.
5/12		TYPICAL TRAFFIC CIRCLE DETAIL		110
REVISED:				M-2021-001
7/21				SHEET 2 OF 6

CONCRETE CURB TERMINAL SECTION
PER PAG 2015 STD. DTL. 212
(MODIFIED FROM 6:1 TO 2:1)

NEW RAISED VERTICAL TYPE-2
CURB PER PAG 2015
STD. DTL. 209, H=6"

4" YELLOW STRIPE
1' FROM GUTTER

(4) TYPE D (YELLOW)
TWO-WAY REFLECTIVE RPM

SURVEY MONUMENT
SEE DETAIL B

TO BE RESET WITH FRAME AND
COVER PER PAG 2015 STD.
DTL. 103, SHEET 2 OF 3.
IF DESTROYED OR DISTURBED

NEW AC TDOT MIX NO. 2
OVER COMPACTED ABC
ASPHALT TO MATCH EXISTING,
2" AC OVER 4" AB MIN.

SAWCUT LINE
2' TO F.O.C.

DEPRESSED CURB

MIN. FOUR (4) REMOVABLE
POST BARRICADES EQUALLY
SPACED. PER PAG 2015
STD. DTL. 107, TYPE "B"

APPROVED LANDSCAPE AREA
VEGETATION MUST NOT CAUSE ROOT
DAMAGE TO ADJACENT SURVEY
MONUMENT OR INTERFERE WITH
SIGHT VISIBILITY.

VARIES 8' MIN.
CURB OPENING PER
CIRCLE LAYOUT TABLE

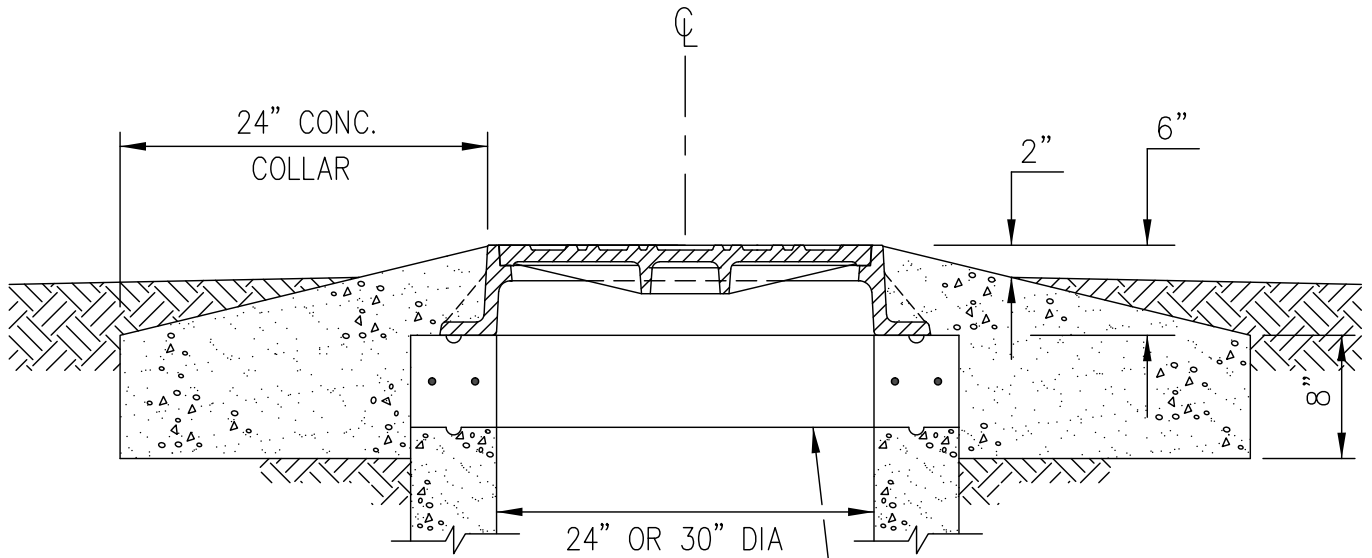
B - SEE SHT. 6 OF 6

NOTE: FOR INTERSECTIONS WITHOUT SEWER MANHOLES.

NOTES:

1. LANDSCAPING TO BE DETERMINED BY CITY OF TUCSON PROJECT ENGINEER, NEIGHBORHOOD ASSOCIATION, AND PCRWRD IN ACCORDANCE WITH THIS DETAIL.
2. ALL SPECIFICATIONS FOR SOLAR RPM'S AND REMOVABLE POST BARRICADES SHALL BE OBTAINED FROM CITY OF TUCSON PROJECT ENGINEER.
3. TRAFFIC CIRCLE NOT TO BE USED IN FLOOD PRONE AREAS OR INTERSECTIONS WITH INVERTED ROADS.
4. TRAFFIC CIRCLE CANNOT BE AT CONSECUTIVE INTERSECTIONS TO ALLOW FOR EASE OF USE FOR COMMERCIAL VEHICLES.

ISSUED:		STANDARD DETAIL		DETAIL NO.
5/12				TYPICAL TRAFFIC CIRCLE DETAIL
REVISED:		M-2021-001		
7/21		SHEET 3 OF 6		



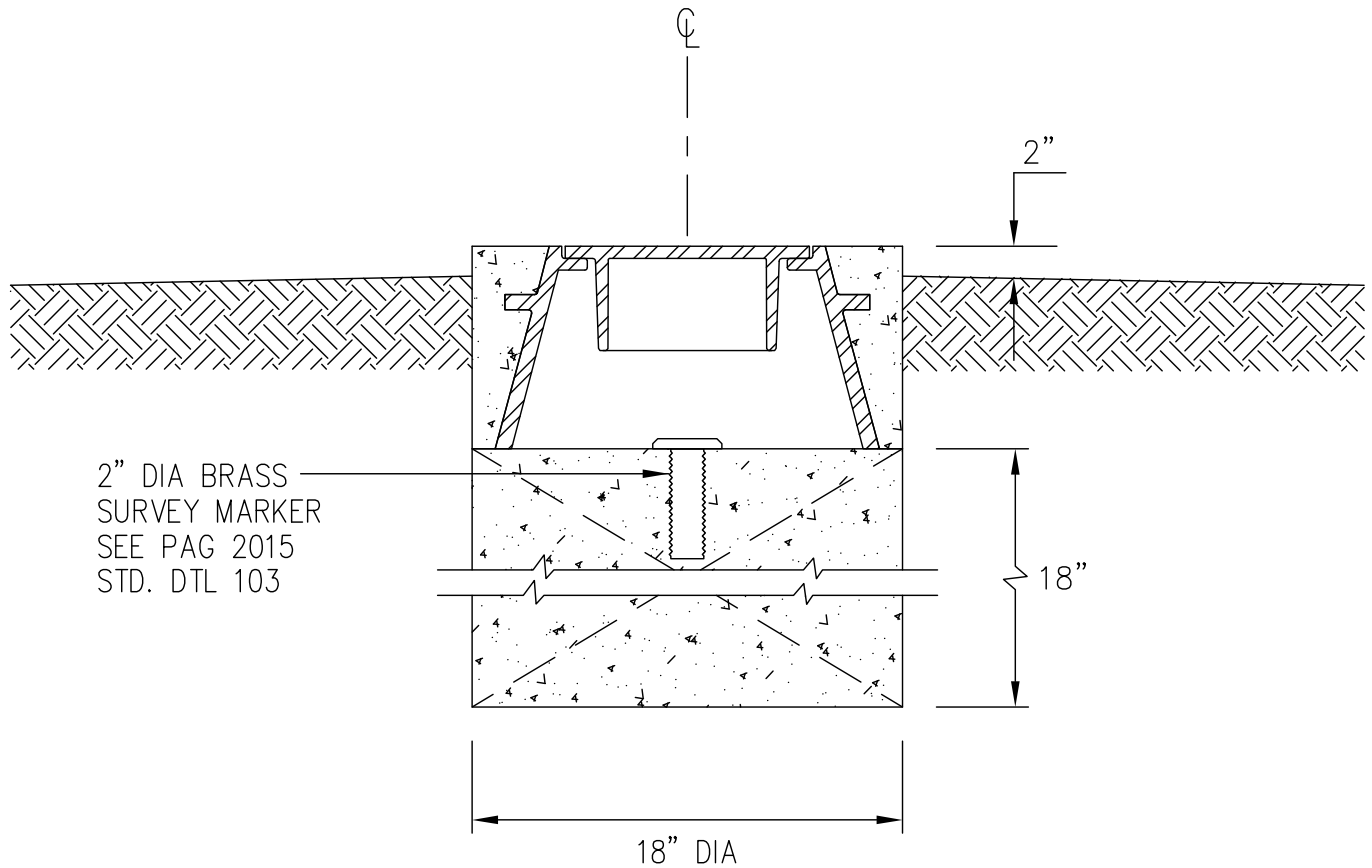
HEIGHT MIN. 3" MAX. 6" ADJUSTING RING
PER RWRD STD. DTL. 305

NOTE: REFER TO RWRD STD. DTL. 212 FOR CONCRETE COLLAR
IN UNPAVED AREAS.

DETAIL A

NTS

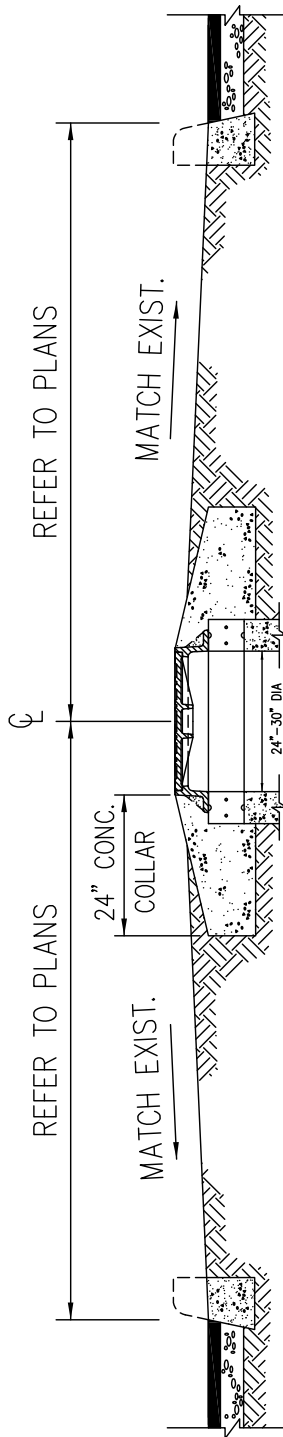
ISSUED:		STANDARD DETAIL		DETAIL NO.
5/12		TYPICAL TRAFFIC CIRCLE DETAIL		110
REVISED:		M-2021-001		
7/21		SHEET 4 OF 6		



DETAIL B

NTS

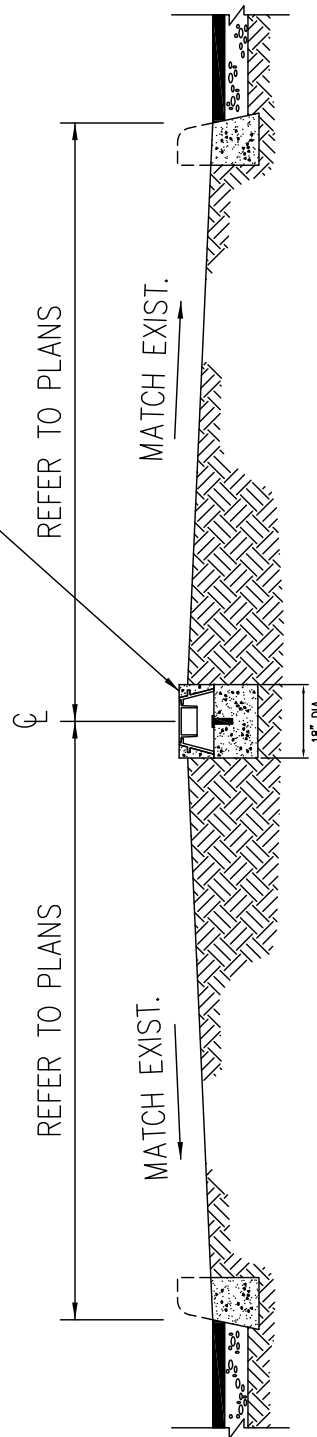
ISSUED:		STANDARD DETAIL		DETAIL NO.
5/12		TYPICAL TRAFFIC CIRCLE DETAIL		110
REVISED:				M-2021-001
7/21	SHEET 5 OF 6			



SECTION A-A

NTS


SURVEY MONUMENT
 TO BE RESET WITH FRAME AND
 COVER PER PAG 2015 STD.
 DTL. 103, SHEET 2 OF 3.
 IF DESTROYED OR DISTURBED



SECTION B-B

NTS

NOTE: NOT FOR USE ON INVERTED CROSS SECTIONS OR FLOOD PRONE AREAS

ISSUED:	
5/12	
REVISED:	
7/21	

STANDARD DETAIL
 TYPICAL TRAFFIC
 CIRCLE DETAIL



DETAIL NO.
110
M-2021-001
SHEET 6 OF 6