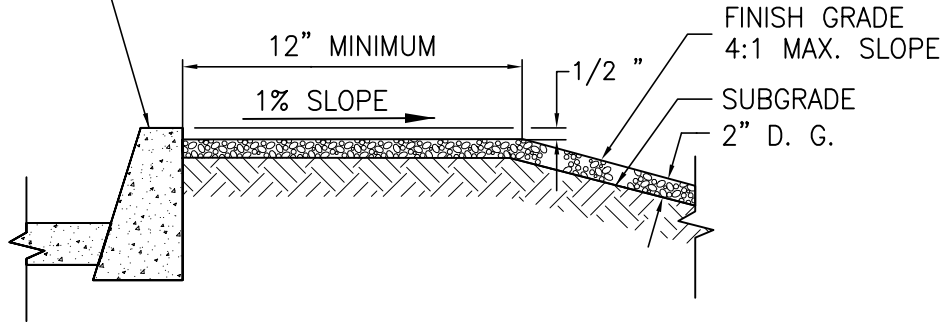


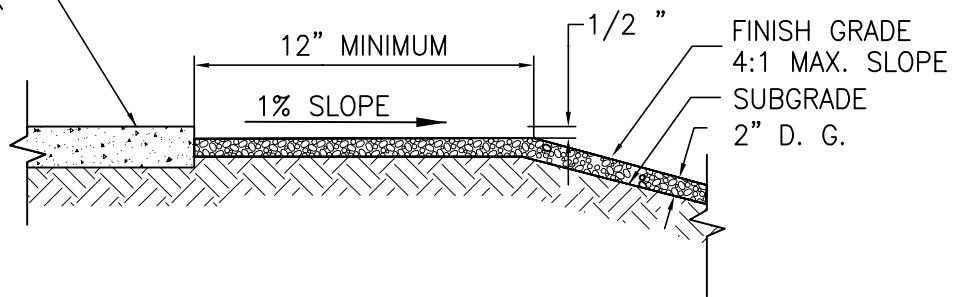
ADJACENT CURB
AND STREET



TYP. CURB-FIN. GRADE W/ DECOMPOSED GRANITE

NTS

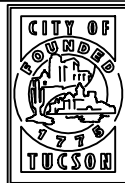
ADJACENT SIDEWALK



TYP. SIDEWALK-FIN. GRADE W/ DECOMPOSED GRANITE

NTS

ISSUED:



STANDARD DETAIL

CURB/SIDEWALK FIN.
GRADE W/ D.G.



DETAIL NO.

408

REVISED:

SHEET 1 OF 1