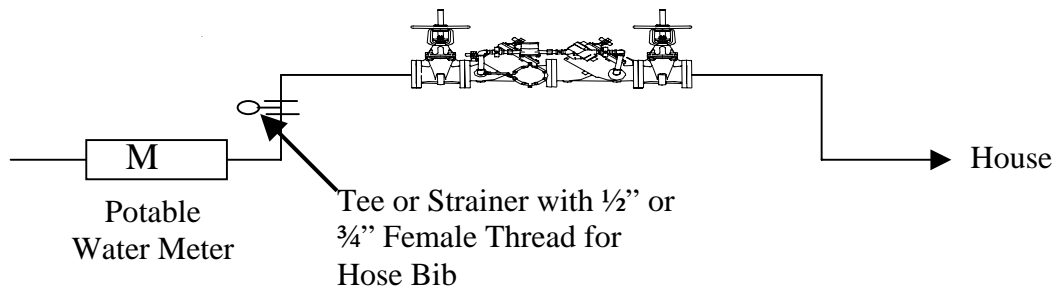


Site Preparation for Dye Test

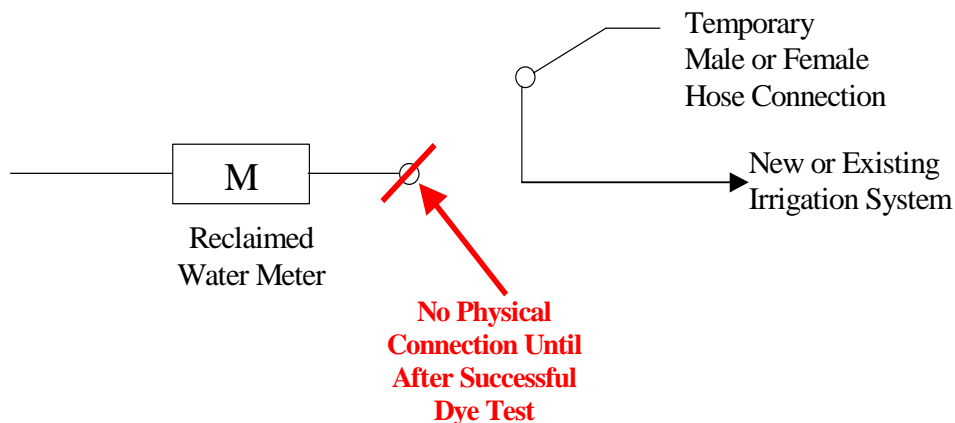
NOTE: Do not connect your irrigation system to the reclaimed water meter until you have authorization from a backflow prevention inspector.

Prior to Scheduling a Dye Test

1. An approved Reduced Pressure (RP) Backflow Prevention Assembly must be installed on the **potable water service** in accordance with Tucson Water Standard Detail #1802 (reverse side).
2. The assembly must be tested by a certified tester and the test results must be submitted to the Tucson Water Backflow Prevention Section. The assembly must then pass a final inspection by a Tucson Water Backflow Prevention Inspector.
3. A tee or strainer must be installed on the supply side of the assembly with a ½” or ¾” female pipe thread with plug. A temporary hose bib shall be installed for use in the initial dye test only. See Figure below.



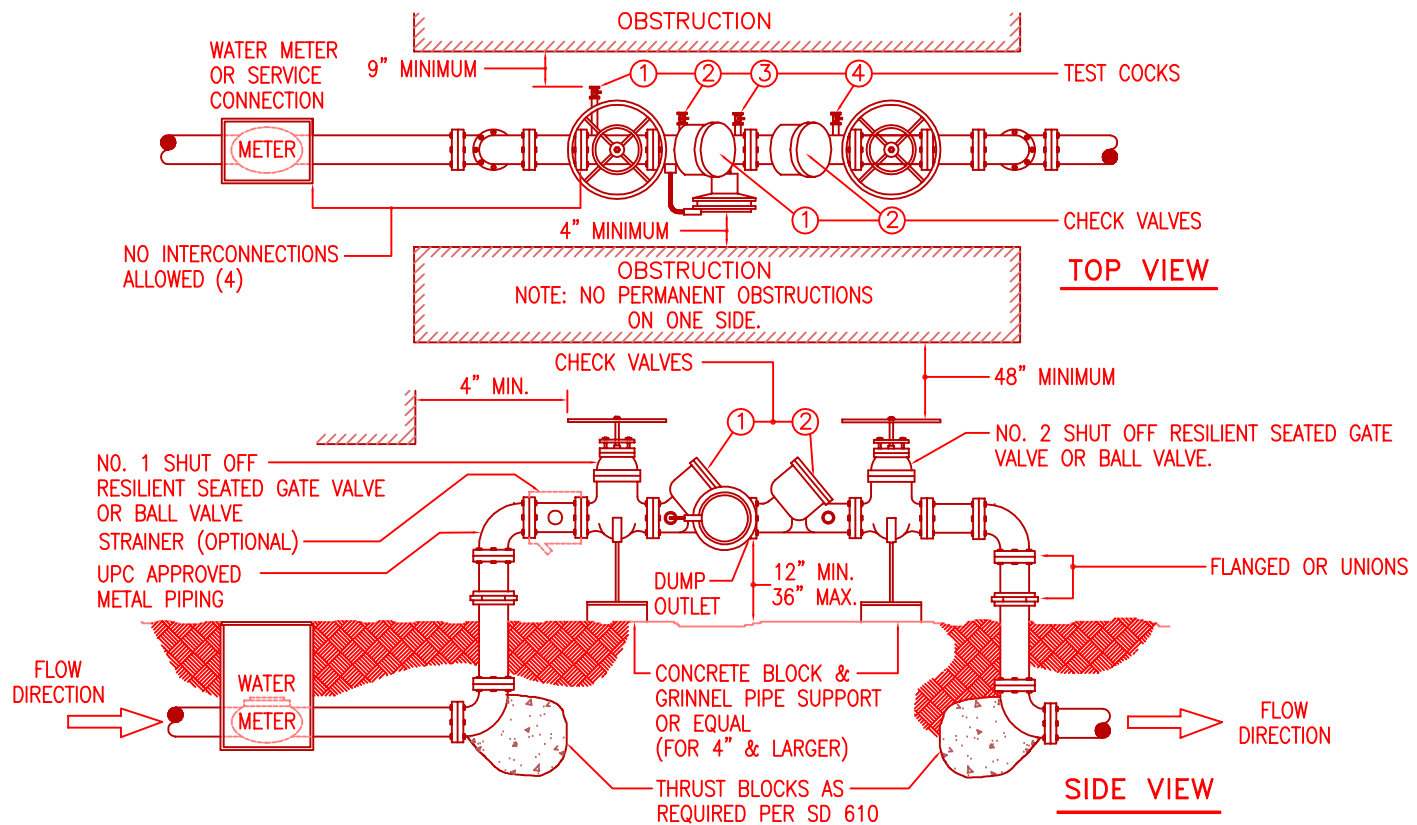
4. The reclaimed water meter is installed, locked, and is to remain locked.
5. A temporary male or female hose connection shall be installed on the irrigation system for the dye testing process. See Figure below.



Dye Test

1. The customer or the customer’s representative must be on site during the dye test.
2. After the dye test is complete, the temporary hose connection on the irrigation system and the hose bib on the backflow prevention assembly must be removed.
3. When the site is in full compliance, a Backflow Prevention Inspector will unlock the reclaimed water service.



For additional information, contact the Backflow Prevention Section at (520) 791-2650



SD 1802 – REDUCED PRESSURE ASSEMBLY (RPA) INSTALLATION

These specifications are to be followed for all water service protection installations utilizing a RPA.

1. A permit is required before installing or replacing a backflow assembly. Permits shall be obtained at Tucson Water, 310 W. Alameda.
2. A listing of approved backflow assemblies is available from Tucson Water.
3. The RPA shall be installed outside, above ground, as close to the water meter as possible and on private property unless otherwise authorized. (Right-of-ways are not private property.)
4. There shall be no other piping connected to the piping between the meter and the backflow assembly except for parallel assembly installations.
5. Installations shall meet current uniform plumbing codes in addition to Tucson Water's Standard Details.
6. Installations shall be left exposed until inspected and approved by Tucson Water.
7. Protective cages are optional, and will meet clearance, access and drainage requirements.
8. It is recommended that backflow assemblies be protected from the elements. Care shall be taken to ensure that the protection does not hinder operation of the assembly.
9. Before installing a backflow assembly on any fire system, consult with the fire authority for additional requirements.
10. The installation of a backflow assembly may create a closed system. Consult local plumbing codes for pressure relief valve and thermal expansion requirements.
11. For additional information contact the Backflow Prevention Section at (520) 791-2650.

ISSUED:		STANDARD DETAIL		DETAIL NO.
12/97		REDUCED PRESSURE ASSEMBLY (RPA) INSTALLATION		SD-1802
REVISED:				SHEET 1 OF 1
6/00				